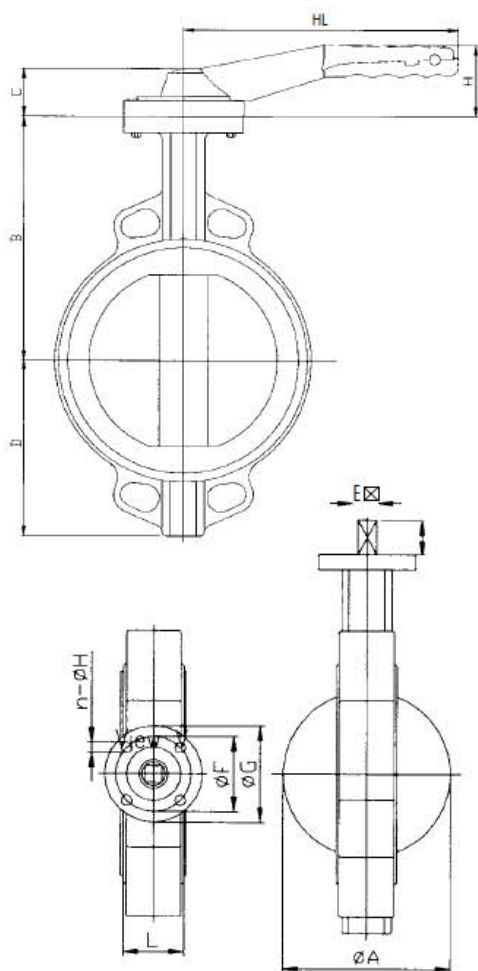


WRAS
APPROVED
PRODUCT

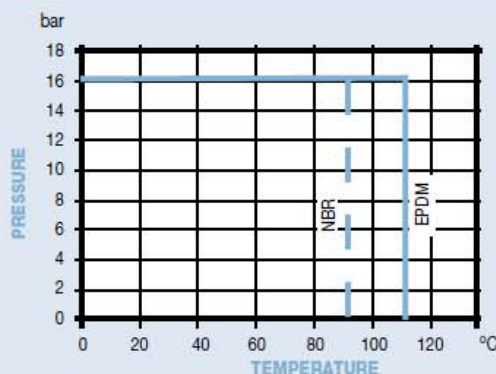


Ductile Iron Butterfly Valve Wafer Type

Features

- Conforms to BS EN 593 (BS 5155)
- Body - Ductile Iron GGG 40
- 316 Stainless Steel or Plated Ductile Iron Disc
- Epoxy Coat Finish
- Lockable Handle
- Universal Flange Mounting PN 16/10 and ASA 150
- ISO 5211 Direct Mounting for Actuation
- Art 115 only WRAS Approved

Pressure / Temperature



N. Part Name	Materials 110	Materials 115	Materials 120
1 Body	Ductile Iron GGG40	Ductile Iron GGG40	Ductile Iron GGG40
2 Disc	Nickel Plated GGG40	Stainless Steel 316	Stainless Steel 316
3 Seat	EPDM	EPDM	NBR
4 Upper Shaft	SS410	SS410	SS410
5 Lower Shaft	SS410	SS410	SS410
6 Bushing	PTFE	PTFE	PTFE
7 O-Ring	EPDM	EPDM	NBR
8 Half Ring	Stainless Steel	Stainless Steel	Stainless Steel
9 Washer	Stainless Steel	Stainless Steel	Stainless Steel
10 Retainer	Stainless Steel	Stainless Steel	Stainless Steel

DN	50	65	80	100	125	150	200	250	300
A	52.6	64.4	78.9	104.1	123.4	155.9	202.8	250.8	301.9
B	142	155	161	180	193	205	250	282	326
C	32	32	32	32	32	32	40	40	40
D	80	89	95	114	127	139	175	203	242
E \boxtimes	11	11	11	11	14	14	17	22	22
F	70 F07	70 F07	70 F07	70 F07	70 F07	70 F07	102 F010	102 F010	102 F010
G	90	90	90	90	90	90	125	125	125
H	54.3	54.3	54.3	54.3	65.2	65.2	71	71	71
HL	205	205	205	205	254	254	359	359	359
L	43	46	46	52	56	56	60	68	78
W	10	10	10	12	14	14	17	22	24
SH	19	19	19	19	19	19	25	40	40
Torque	19	21	28	43	60	91	194	295	412
Kgs	2.35	2.75	3.05	4.70	5.50	6.75	11.60	20.40	29.10

Technical Data

Maximum Pressure 16 Bar

Working Temperature -20°C to $+110^{\circ}\text{C}$ - EPDM
 0°C to $+90^{\circ}\text{C}$ - NBR

Dimensions in mm

This data sheet is designed as a guide and should not be regarded as wholly accurate in every detail. We reserve the right to amend the specification of any product without notice.