

All stainless steel bimetal thermometer Model A

Nominal size 100 mm or 160 mm
Accuracy: Class 1 according to EN 13190

Features

- Rugged all welded stainless steel construction
- Protection IP65 / IP66
- Optional ATEX approved **CE** Ⓢ II 2 GD c Tx°C IP66
- Optional external adjustment permits zero reset from outside the case.
- Dry or liquid filled
- Silicone coil dampening provides vibration dampening and improves response time



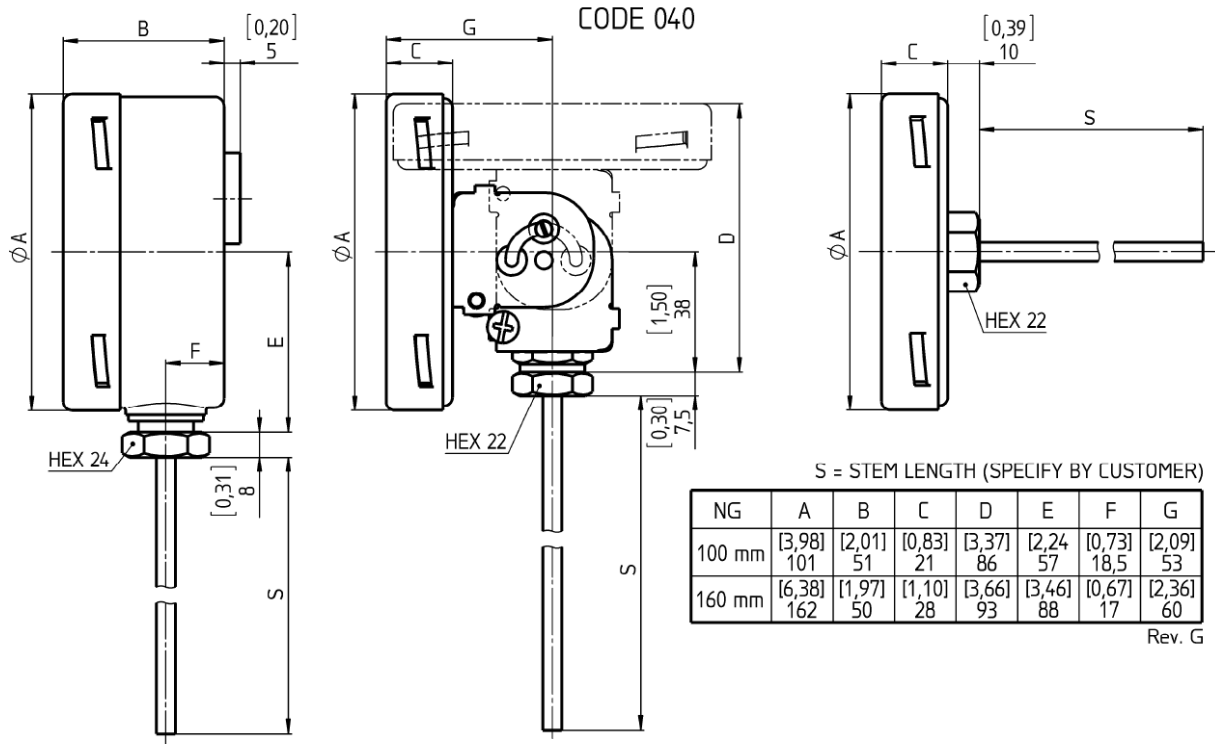
Ranges

-50 ... 50 °C up to 0 ... 500 °C
-80 ... 120 °F up to 200 ... 1000 °F

Applications

Chemical and petrochemical industry
Machine and apparatus construction
Food and beverage industry
Pulp and paper industry

Technical specification	AM, AE, AI, A3B											
Dial size	100 mm			160 mm								
Construction	Cylindrical case with bayonet ring											
Measuring principle	Bimetallic coil											
Range in °C	0/50	0/60	0/80	0/100	0/120	0/150	0/160	0/200	0/250	0/300	0/400	0/500
Ranges in °F	10/150	50/300	50/450	100/500	-10/50	-10/110	-20/40	-20/60	-20/120	-20/180		
Temperature limits for ranges	-25/25		-30/50		-30/70		-40/40		-40/60		-40/160	
Stem	0/100	0/150	0/200	0/250	0/300	0/350	0/500	20/120	30/130	30/240		
Max. process overtemperature	50/300		50/400		50/550		80/180		100/800		160/360	
Max. ambient temperature	-40/120		-40/160		-20/120		-80/120		-10/100			
Dual scales on request	< 120 °C		≥ 120 °C and < 290 °C		≥ 290 °C							
94 °C with dry case, 65 °C with liquid filling	100 % of span		50 % of span		max. 425 °C for continuous service							
Diameter	6 mm, 8 mm, 1/4" (6,4 mm), 3/8" (9,6 mm)											
Length	63 ... 1000 mm, minimum length depends on range											
Process connection	Plain G 1/2 A male, G 1/2 female, 1/2 NPT male or 1/2 NPT female G 3/4 A male, G 3/4 female, 3/4 NPT male or 3/4 NPT female G 1 A male, G 1 female, 1 NPT male or 1 NPT female, others on request Fixed, adjustable or with swivel nut											
Connection location	Back, lower and every angle (rotatable)											
Material	Stainless steel 316L or 316Ti (1.4404 or 1.4571) Stainless steel 316L or 316Ti (1.4404 or 1.4571) Stainless steel 304 (1.4301), optional 316L (1.4404) Instrument glass, optional shatter proof glass or acrylic glass Aluminum, black markings on white background Aluminum, black											
Accuracy	Class 1 (dry) and class 2 (liquid filled) according to EN 13190											
Protection according to EN 60 529/IEC 529	IP66, IP65 for variation "external zero adjustment"											
Conformity according to RL 94/9/EC appendix X for mechanical equipment in potential hazardous areas	Optional, Marking CE Ⓢ II 2 GD c Tx°C IP66 File no. 35088073 at notified body 0044, TUV NORD CERT (only with shatter proof glass and protection IP66)											
Filling liquids	Silicone, not for lower connection, not for ATEX, acrylic glass is standard Maximum range up to 300 °C											
Weight in kg	Back		Lower		Every angle		Back		Lower		Every angle	
Connection location	0,35		0,55		0,55		0,7		0,9		0,9	
Dry	0,6		---		0,8		1,0		---		1,2	
Filled												
Accessories	Thermowells must be used on all pressure or velocity applications, to protect the stem of thermometer from corrosion and physical damage, and to facilitate removal of the thermometer without disturbing the process.											



Order information

Size	Type and stem execution	Filling	Process connection	Connection orientation	Stem length	Range	Options
(100) 100 mm	(AM) 6 mm	(=) Standard (no filling)	(040) Plain	(L) Lower	63 to 1000 mm	0/ 50 °C ¹⁾ 0/ 60 °C ¹⁾ 0/ 80 °C ¹⁾ 0/100 °C 0/120 °C 0/150 °C 0/160 °C 0/200 °C 0/250 °C ¹⁾ 0/300 °C ¹⁾ 0/400 °C ¹⁾ 0/500 °C ¹⁾ 10/150 °C 50/300 °C ¹⁾ 50/450 °C ¹⁾ 100/500 °C ¹⁾	(NH) Stainless steel tag wired (CS) Dual scale (DA) Dial marking (PD) Acrylic glass (SG) Shatter proof glass (SH) Red set hand stationary (EA) External zero adjustment (YW) 316L (1.4404) housing (C4) Individual calibration certificate (ATEX) ATEX Approval (not in combination with external zero adjustment EA)
(160) 160 mm	(AE) 8 mm (AI) ¼" (6,4 mm) (A3B) 3/8" (9,6 mm)	(L) Liquid filled with silicone max. range 300 °C (not for lower connection, ambient temperature maximum 65 °C)	(042) Union outlet ½ NPT male (060) Fixed ½ NPT male (061) Fixed G ½ A male (070) Adjustable union ½ NPT male (071) Adjustable union G ½ A male (072) Adjustable union ¾ NPT male (074) Adjustable union ½ NPT female (080) Swivel nut G ½ A male (081) Swivel nut G ½ female	(R) Back (E) Every angle		0/ 100 °F ¹⁾ 0/ 150 °F ¹⁾ 0/ 200 °F ¹⁾ 0/ 250 °F ¹⁾ 0/ 300 °F ¹⁾ 0/ 350 °F ¹⁾ 0/ 500 °F ¹⁾ 20/ 120 °F ¹⁾ 30/ 130 °F ¹⁾ 30/ 240 °F ¹⁾ 50/ 300 °F ¹⁾ 50/ 400 °F ¹⁾ 50/ 550 °F ¹⁾ 80/ 180 °F ¹⁾ 100/ 800 °F ¹⁾ 160/ 360 °F ¹⁾ 170/ 270 °F ¹⁾ 200/ 400 °F ¹⁾ 200/ 700 °F ¹⁾ 200/ 1000 °F ¹⁾ -40/ 120 °F ¹⁾ -40/ 160 °F ¹⁾ -20/ 120 °F ¹⁾ -80/ 120 °F ¹⁾ -10/ 100 °F ¹⁾ -40/ 60 °C -40/100 °C -40/160 °C -50/ 50 °C	

¹⁾ minimum stem length 100 mm

Order example

Size	Type and stem execution	Filling	Process connection	Connection orientation	Stem length	Range	Engineering unit	Options
100	AM	=	071	E	160	0/200	C	NH