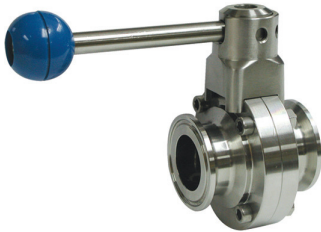


Sanitary Stainless Steel Butterfly Valves

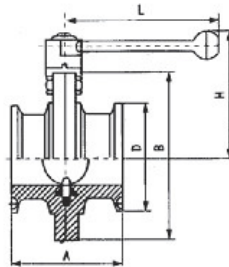
Mod. 2940

Butterfly valve clamp ends



Stainless steel body AISI 316L. EPDM elastomer. Clamp ends in inches. Sanitary polish. Max. working pressure: 10 bar, Max temp: 120°C. Manually operated.

MED	A	B	D	L	H
1"	66	78	50.5	130	82
1 1/2"	70	86	50.5	130	86
2"	76	102	64	140	96
2 1/2"	80	115	77.5	150	103
3"	84	128	91	150	110
4"	106	154	119	170	122



CODE	SIZE	WEIGHT kg
2940 06	1"	1.35
2940 08	1 1/2"	1.35
2940 09	2"	1.85
2940 10	2 1/2"	2.25
2940 11	3"	2.6
2940 12	4"	3.6

Mod. 2941E

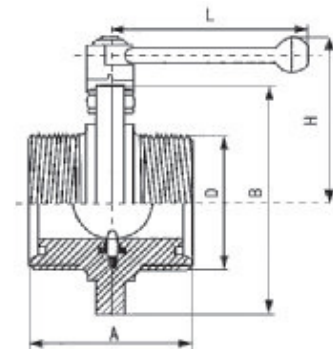
Butterfly valve threaded ends



Stainless steel body AISI 304. EPDM elastomer. Threaded ends DIN 11851. Max. working pressure 10 bar, Max temp: 120°C. Manually operated: 3 position or multi-position.

MED	DN	A	B	D	L	H
1"	25	66	78	52X1/6"	120	82
1 1/4"	32	70	86	58X1/6"	120	90
1 1/2"	40	74	90	65X1/6"	120	94
2"	50	76	106	78X1/6"	130	110
2 1/2"	65	84	124	95X1/6"	130	116
3"	80	90	139	110X1/4"	160	120
4"	100	108	159	130X1/4"	160	130

CODE	SIZE	WEIGHT kg
2941E 06	DN 25	1.35
2941E 07	DN 32	1.45
2941E 08	DN 40	1.75
2941E 09	DN 50	2.45
2941E 10	DN 65	3.2
2941E 11	DN 80	3.85
2941E 12	DN 100	5.45



Sanitary Stainless Steel Check Valves

Mod. 2942E

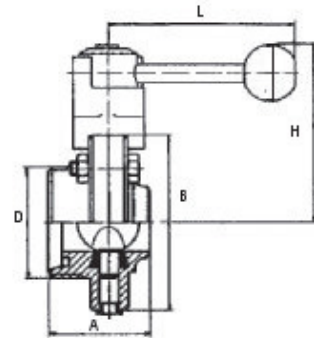
● Butterfly valve end threaded / welded



Stainless steel body AISI 304. EPDM elastomer. End threaded DIN 11851/ welded. Max working pressure 10 bar, Max temp: 120°C. Manually operated: 3 position or multi-position.

CODE	SIZE	WEIGHT kg
2942E 06	DN 25	1.28
2942E 07	DN 32	1.25
2942E 08	DN 40	1.48
2942E 09	DN 50	2.08
2942E 10	DN 65	2.7
2942E 11	DN 80	3.15
2942E 12	DN 100	4.25

MED	DN	A	B	D	L	H
1"	25	58	78	52X1/6"	120	82
1 1/4"	32	60	86	58X1/6"	120	90
1 1/2"	40	62	90	65X1/6"	120	94
2"	50	64	106	78X1/6"	130	110
2 1/2"	65	70	124	95X1/6"	130	116
3"	80	75	139	110X1/4"	160	120
4"	100	86	159	130X1/4"	160	130



Mod. 2943E

● Butterfly valve end welded / welded



Stainless steel body AISI 304. EPDM elastomer. End welded / welded. Max working pressure 10 bar. Max temp 120°C. Manually operated: 3 position or multi-position.

CODE	SIZE	WEIGHT kg
2943E 06	DN 25	1.09
2943E 07	DN 32	1.28
2943E 08	DN 40	1.29
2943E 09	DN 50	1.7
2943E 10	DN 65	2.1
2943E 11	DN 80	2.4
2943E 12	DN 100	3.05

MED	DN	A	B	D	L	H
1"	25	50	78	28	120	82
1 1/4"	32	50	86	34	120	90
1 1/2"	40	50	90	40	120	94
2"	50	52	106	52	130	110
2 1/2"	65	56	124	70	130	116
3"	80	60	139	85	160	120
4"	100	64	159	104	160	130

