

Sanitary Fittings

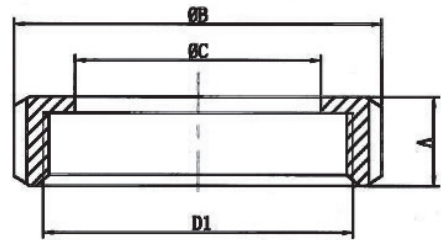
Mod. 2954



- **Threaded ring for welded connector**
Standards applied: DIN 11851. Stainless steel body AISI 304. Superficial ending: polish.

MED	DN	A	B	C	D1
1/2"	15	18	44	25	34X1/8"
3/4"	20	20	54	31	44X1/6"
1"	25	21	63	36	52X1/6"
1 1/4"	32	21	70	42	58X1/6"
1 1/2"	40	21	78	49	65X1/6"
2"	50	22	92	62	78X1/6"
2 1/2"	65	25	112	80	95X1/6"
3"	80	29	127	94	110X1/4"
4"	100	31	148	115	130X1/4"

CODE	SIZE	WEIGHT kg
2954 04	DN 15	0.08
2954 05	DN 20	0.130
2954 06	DN 25	0.172
2954 07	DN 32	0.209
2954 08	DN 40	0.25
2954 09	DN 50	0.338
2954 10	DN 65	0.523
2954 11	DN 80	0.728
2954 12	DN 100	0.990



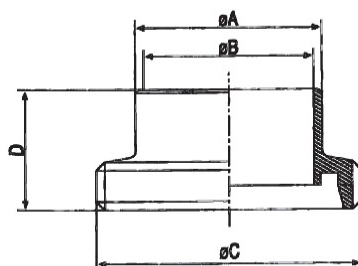
Mod. 2955



- **Threaded ring for welded connector**
Standards applied: DIN 11851. Stainless steel body AISI 304. Superficial ending: polish.

MED	DN	A	B	C	D
1/2"	15	21	16	34X1/8"	21
3/4"	20	25	20	44X1/6"	24
1"	25	31	26	52X1/6"	29
1 1/4"	32	37	32	58X1/6"	32
1 1/2"	40	43	38	65X1/6"	33
2"	50	55	50	78X1/6"	35
2 1/2"	65	72	66	95X1/6"	40
3"	80	87	81	110X1/4"	45
4"	100	106	100	130X1/4"	54

CODE	SIZE	WEIGHT kg
2955 04	DN 15	0.079
2955 05	DN 20	0.087
2955 06	DN 25	0.121
2955 07	DN 32	0.148
2955 08	DN 40	0.18
2955 09	DN 50	0.244
2955 10	DN 65	0.370
2955 11	DN 80	0.526
2955 12	DN 100	0.658



Sanitary Fittings

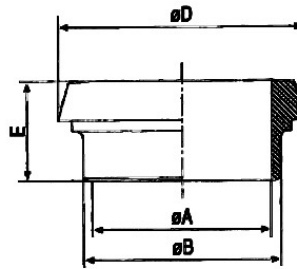
Mod. 2956



- **Clamp for welding**
Standards applied: DIN 11851. Stainless steel body AISI 304. Superficial ending: polish.

MED	DN	A	B	D	E
1/2"	15	16	21	28.5	17
3/4"	20	20	25	36.5	18
1"	25	26	31	44	22
1 1/4"	32	32	37	50	25
1 1/2"	40	38	43	56	26
2"	50	50	55	68.5	28
2 1/2"	65	66	72	86	32
3"	80	81	87	100	37
4"	100	100	106	121	44

CODE	SIZE	WEIGHT kg
2956 04	DN 15	0.052
2956 05	DN 20	0.056
2956 06	DN 25	0.089
2956 07	DN 32	0.113
2956 08	DN 40	0.113
2956 09	DN 50	0.185
2956 10	DN 65	0.301
2956 11	DN 80	0.353
2956 12	DN 100	0.613



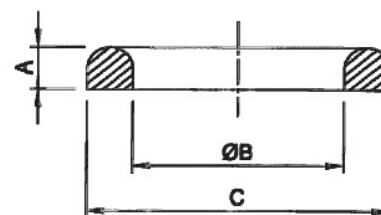
Mod. 2957



- **O'ring for din 11851 connector**
Material: EPDM.

MED	DN	A	B	C
1/2"	15	4.5	18	26
3/4"	20	4.5	23	33
1"	25	5	30	40
1 1/4"	32	5	36	46
1 1/2"	40	5	42	52
2"	50	5	54	64
2 1/2"	65	5	71	81
3"	80	5	85	95
4"	100	5	104	114

CODE	SIZE	WEIGHT kg
2957 04	DN 15	0.003
2957 05	DN 20	0.003
2957 06	DN 25	0.004
2957 07	DN 32	0.004
2957 08	DN 40	0.005
2957 09	DN 50	0.006
2957 10	DN 65	0.007
2957 11	DN 80	0.008
2957 12	DN 100	0.012



Sanitary Fittings

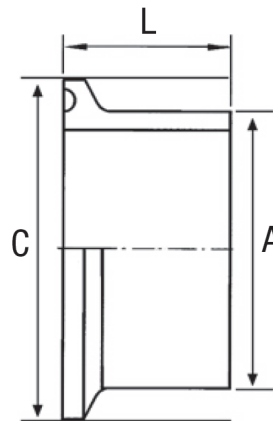
Mod. 2981

- **Clamp welding socket**
Stainless steel 316L. Clamp ends in inches sanitary polish.



CODE	SIZE	WEIGHT kg
2981 04	1/2"	0.023
2981 05	3/4"	0.026
2981 06	1"	0.085
2981 08	1 1/2"	0.066
2981 09	2"	0.090
2981 10	2 1/2"	0.115
2981 11	3"	0.148
2981 12	4"	0.240

MED	C	L	A
1/2"	25.4	28.6	12.7
3/4"	25.4	28.6	19.05
1"	50.4	28.6	25.4
1 1/2"	50.4	28.6	38.1
2"	63.6	28.6	50.8
2 1/2"	77.5	28.6	63.5
3"	90.8	28.6	76.2
4"	118.5	28.6	101.6



Mod. 2982

- **Clamp blind lid**
Stainless steel 316L. Clamp ends in inches. Sanitary polish.



CODE	SIZE	WEIGHT kg
2982 04	1/2"- 3/4"	0.05
2982 06	1"	0.08
2982 08	1 1/2"	0.08
2982 09	2"	0.16
2982 10	2 1/2"	0.21
2982 11	3"	0.3
2982 12	4"	0.55

MED	A	B
1/2"- 3/4"	25.4	6.4
1"	50.5	6.4
1 1/2"	50.5	6.4
2"	64	6.4
2 1/2"	77.5	6.4
3"	91	6.4
4"	119	6.4



Sanitary Fittings

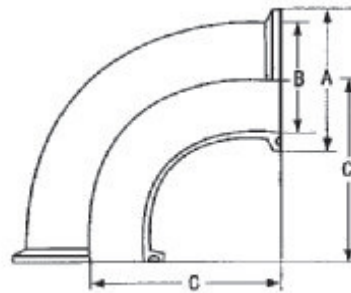
Mod. 2983

- **Sanitary accessories clamp 90° elbow**
Stainless steel 316L. Clamp ends in inches.
Sanitary polish.



CODE	SIZE	WEIGHT kg
2983 04	1/2"	0.05
2983 05	3/4"	0.055
2983 06	1"	0.18
2983 08	1 1/2"	0.19
2983 09	2"	0.34
2983 10	2 1/2"	0.63
2983 11	3"	0.75
2983 12	4"	1.58

MED	A	B	C
1/2"	25.4	9.5	41
3/4"	25.4	15.4	41
1"	50.4	22.4	55
1 1/2"	50.5	35.1	70
2"	64	47.8	82
2 1/2"	77.5	59.5	105
3"	91	72.2	110
4"	119	97.6	148



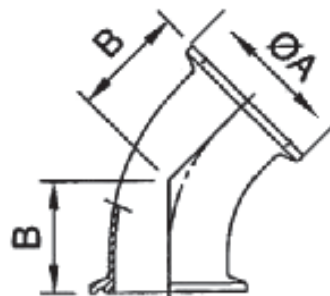
Mod. 2984

- **Sanitary accessories clamp 45° elbow**
Stainless steel 316L. Clamp ends in inches.
Sanitary polish.



CODE	SIZE	WEIGHT kg
2982 06	1"	0.26
2982 08	1 1/2"	0.25
2982 09	2"	0.3
2982 10	2 1/2"	0.32
2982 11	3"	0.52
2982 12	4"	1.03

MED	A	B
1"	50.5	35.5
1 1/2"	50.5	41.6
2"	64	46.6
2 1/2"	77.5	56
3"	91	58
4"	119	81



Sanitary Fittings

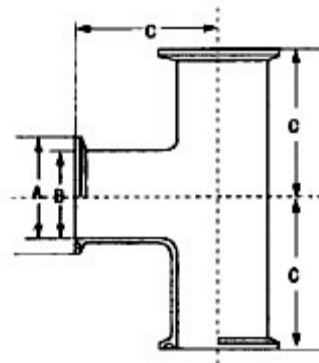
Mod. 2985

- **Sanitary accessories "T" clamp**
Stainless steel 316L. Clamp ends in inches. Sanitary polish.



CODE	SIZE	WEIGHT kg
298 04	1/2"	0.108
2985 05	3/4"	0.112
2985 06	1"	0.270
2985 08	1 1/2"	0.280
2985 09	2"	0.490
2985 10	2 1/2"	0.940
2985 11	3"	1.190
2985 12	4"	2.210

MED	A	B	C
1/2"	25.4	9.5	57
3/4"	25.4	15.4	60
1"	50.5	22.4	55
1 1/2"	50.5	35.1	70
2"	64	47.8	82
2 1/2"	77.5	59.5	105
3"	91	72.2	110
4"	119	97.6	148



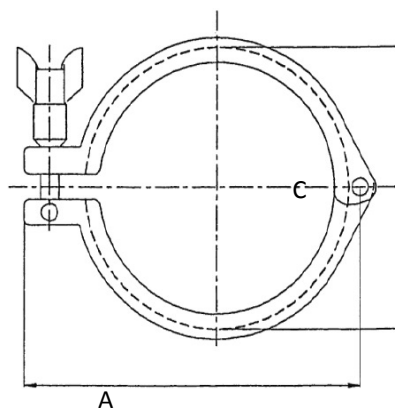
Mod. 2986

- **Quick locking binding clamp**
Stainless steel 304. Clamp ends in inches. Sanitary polish.



CODE	SIZE	WEIGHT kg
2986 04	1/2"- 3/4"	0.23
2986 06	1"- 1 1/2"	0.3
2986 09	2"	0.35
2986 10	2 1/2"	0.38
2986 11	3"	0.398
2986 12	4"	0.56

MED	C	A
1/2"- 3/4"	28.2	57.5
1"- 1 1/2"	53.6	83
2"	67	95.7
2 1/2"	80.6	109.8
3"	94.2	123.1
4"	122.1	151.8



Sanitary Fittings

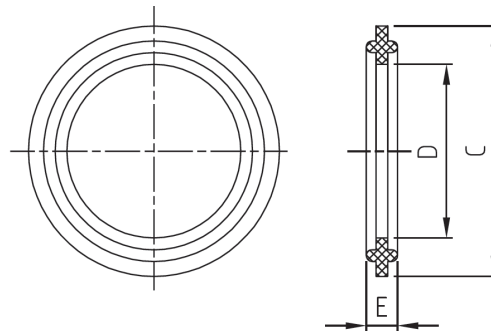
Mod. 2987

● **Clamp ends joint**
Silicone body. Clamp ends in inches.



CODE	SIZE	WEIGHT kg
2987 04	1/2"	0.003
2987 05	3/4"	0.003
2987 06	1"	0.004
2987 08	1 1/2"	0.004
2987 09	2"	0.005
2987 10	2 1/2"	0.006
2987 11	3"	0.008
2987 12	4"	0.012

MED	D	C	E
1/2"	9.5	22	4.5
3/4"	15.9	22	4.5
1"	22.2	50.4	5.5
1 1/2"	35	50.4	5.5
2"	47.6	63.6	5.5
2 1/2"	60.2	77.5	5.5
3"	73	90.8	5.5
4"	97.4	118.5	5.5



Mod. 2988

● **Concentric reducer clamp ends**
Stainless steel 316L. Clamp in inches.
Sanitary polish.



CODE	SIZE	WEIGHT kg
2988 08 06	1 1/2" X 1"	0.003
2988 09 06	2" X 1"	0.003
2988 09 08	2" X 1 1/2"	0.004
2988 10 08	2 1/2" X 1 1/2"	0.004
2988 10 09	2 1/2" X 2"	0.005
2988 11 09	3" X 2"	0.006
2988 11 10	3" X 2 1/2"	0.007
2988 12 11	4" X 3"	0.008

MED	DN	A	B	C
1/2"	15	4.5	18	26
3/4"	20	4.5	23	33
1"	25	5	30	40
1 1/4"	32	5	36	46
1 1/2"	40	5	42	52
2"	50	5	54	64
2 1/2"	65	5	71	81
3"	80	5	85	95
4"	100	5	104	114

