





Diamant 2000 Electric Actuator



Diamant 2000 Electric Actuator with ISO 5211 Multi-flange Mounting






- **ISO 5211 Multi-flange mounting:**
F03 / 9mm & F05 / 11mm Star Drive
- **Twin Motor Design:**
Power to Open / Power to Close
- **Voltages:**
230/110/24V 50/60Hz (12V & 24V DC on request)
- **Rotation Options:** 90° and 180°
- **Modulating Duties:**
Can be obtained by installing the 3 point version
- **Ingress Protection:** IP65
- **Standard Operating Torque/Speed:**
11Nm  90° 35 sec
11Nm  180° 70 sec
- **Ambient Temperature:**
-10°C to 50°C maximum



For Heating & Industrial Applications



Options:

- Manual Override
- Auxiliary Micro Switches
- **Operating Torque/Speed:**
5 Nm  90° 4 sec
12 Nm  90° 12 sec
16 Nm  90° from 110 to 330 sec
- **Proportional Positioning:**
Control signal options:
4-20mA ; 0-20mA & 0-10V DC

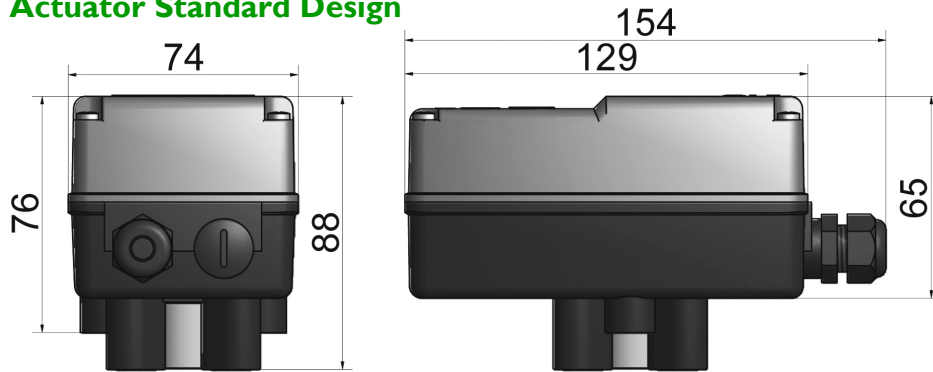


Diamant 2000 Electric Actuator

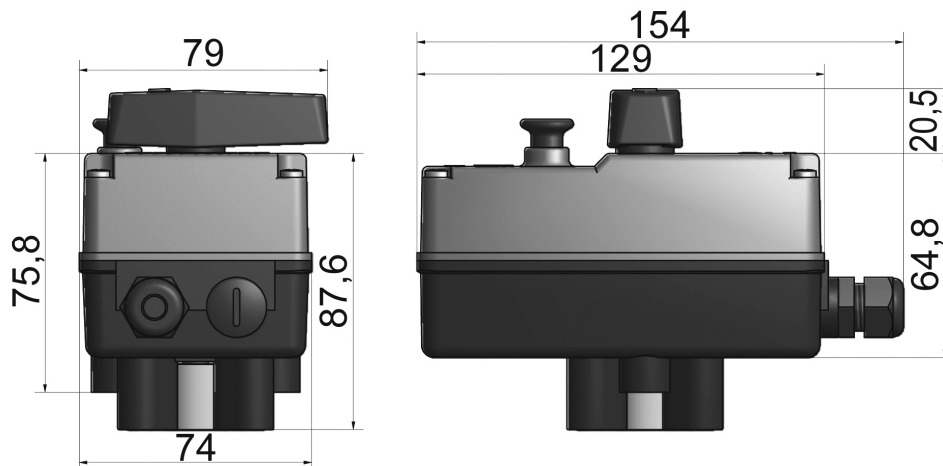


Diamant 2000 Electric Actuator with ISO 5211 Multi-flange Mounting

Actuator Standard Design



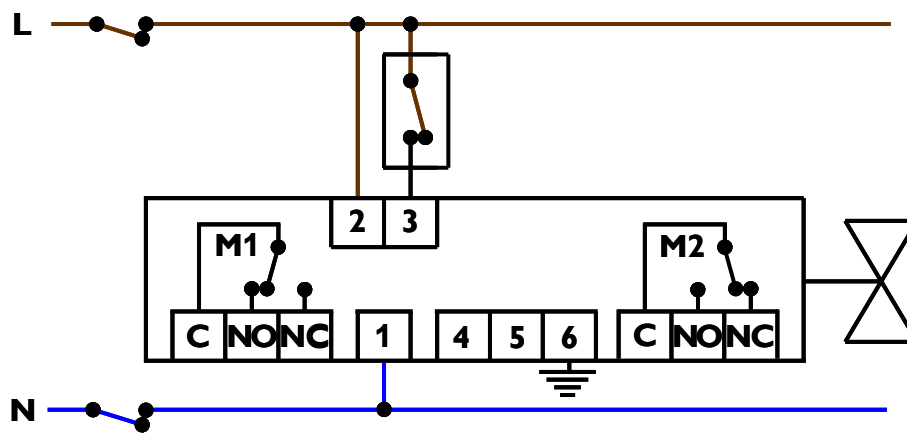
Actuator with Manual Override Option



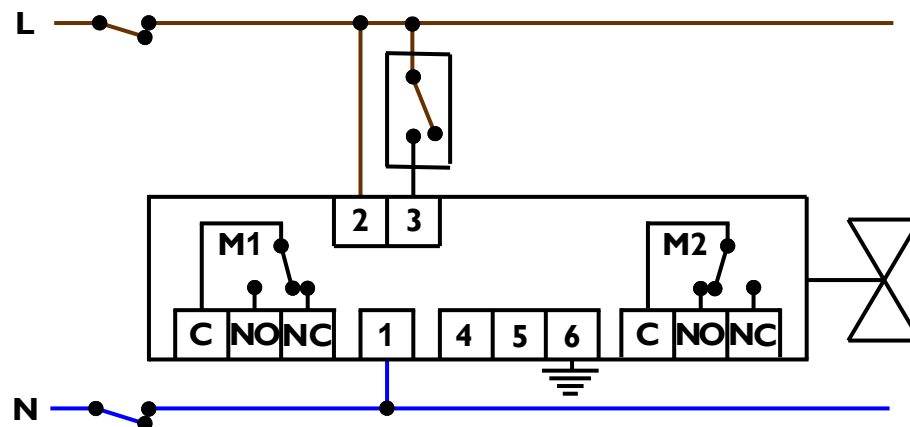
Dimensions in mm unless otherwise stated and are NOT applicable to Diamant DC or Diamant PILOT Actuators
Information subject to alteration without prior notice

ACTUATOR WITH RELAY— 2 POINT CONTROL

OPEN



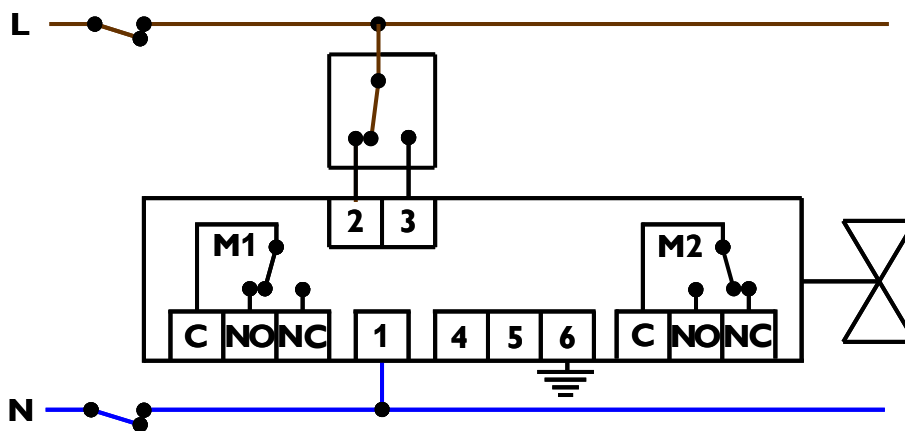
CLOSED



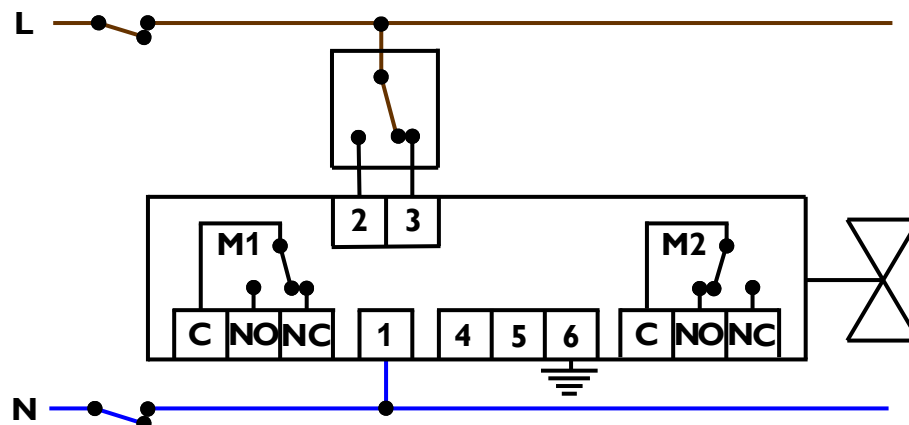
Wiring diagrams also detail the optional auxiliary micro-switches

ACTUATOR WITHOUT RELAY— 3 POINT CONTROL

OPEN



CLOSED



Wiring diagrams also detail the optional auxiliary micro-switches