

## MANUAL ANGLE SEAT VALVE, G 1/2" ÷ 2"; STAINLESS STEEL

flow over / under seat

TYPE: PG MANUAL

### TECHNICAL SPECIFICATIONS

Media: water, oil, air, aggressive media and steam<sup>(1)</sup>

Media temperature: -10°C ... +180°C

Ambient temperature: -10°C ... +60°C

Body material: cast AISI 316L (ASME SA351/351M GRADE CF3M)

Bonnet material: stainless steel AISI 316L

Seal material: PTFE

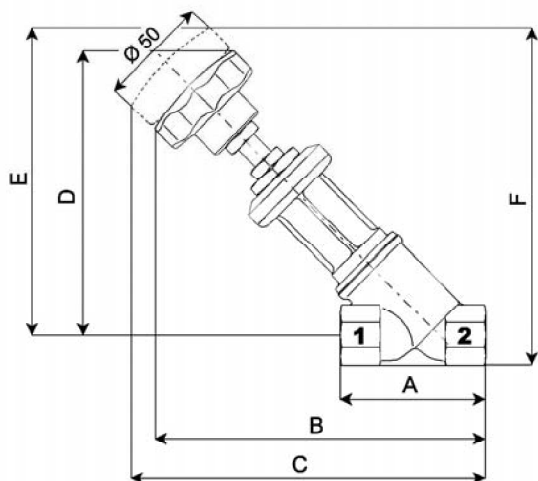


### OPTIONS

NPT connection (ex. code PN2050TW00)

SELECTION TABLE	VALVES	connection	DN orifice	Flow rate Kvs	Working pressure <sup>(1)</sup>		Flow direction
	Code	(ISO 228 G)	(mm)	(l/min)	min (bar)	max (bar)	
	PG2050TW00	1/2"	15	87	0	40	1↔2
	PG2060TX00	3/4"	20	164	0	40	1↔2
	PG2070TY00	1"	25	260	0	40	1↔2
	PG2080TZ00	1 1/4"	32	410	0	25	1↔2
	PG2090TK00	1 1/2"	40	700	0	25	1↔2
	PG2100TJ00	2"	50	916	0	16	1↔2

(1) Steam: Max. working pressure 10 bar (9 barg);



### DIMENSIONS & WEIGHTS

Connection	A	B	C	D	E	F	weight
(ISO 228 G)	(mm)	(mm)	(mm)	(mm)	(mm)	(mm)	(kg)
1/2"	65	142	150	121	128	142	0.75
3/4"	75	148	155	126	133	150	0.80
1"	90	163	172	135	145	165	1.20
1 1/4"	110	175	188	143	156	181	1.80
1 1/2"	120	180	193	148	161	189	2.10
2"	150	198	212	157	170	205	3.10