

## Universal PRO Electric Actuator with ISO 5211 Multi-flange Mounting



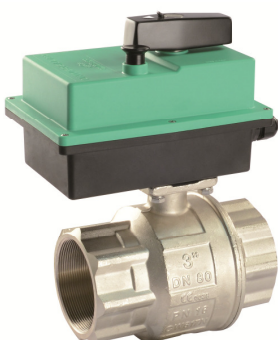
### Options:

- **Anti Condensation Heater**
- **Operating Torque/Speed:**
  - 40Nm    90° 14 sec
  - 40Nm    90° 32 sec
- **Power Absorbed (Versions 4 to 12 sec)**
  - 16VA    230V/50Hz
  - 16VA    110V/50Hz
  - 16VA    24V/50Hz

- **ISO 5211 Multi-flange mounting:**  
F05 / 11mm & F07 / 14mm Star Drive
- **Electrical Control:**  
3 Point / 2 Point
- **Twin Motor Design:**  
Power to Open / Power to Close
- **Manual Override**
- **Auxiliary Micro Switches:**  
1A Resistive Max Current
- **Voltages:**  
230 / 110 / 24V 50Hz
- **Max Current:**  
1A Resistive
- **Power Absorbed:**

9.2VA		230V/50Hz
9.2VA		110V/50Hz
9.2VA		24V/50Hz
- **Rotation Options:** 90° and 180°
- **Ingress Protection:** IP67
- **Standard Operating Torque/Speed:**

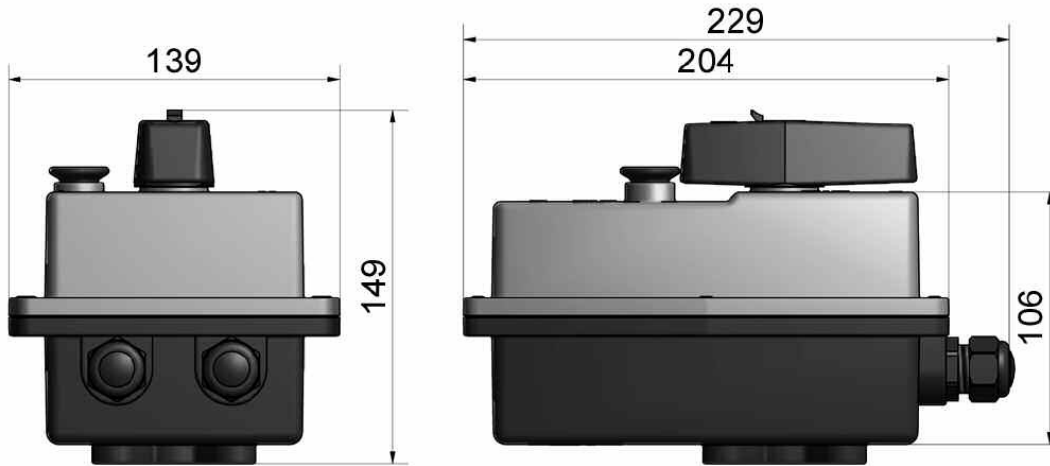
40Nm		90° 55 sec
40Nm		180° 110 sec
- **Ambient Temperature:**  
-10°C to 50°C maximum
- **Seal Material:**  
Silicon
- **Certification CE**



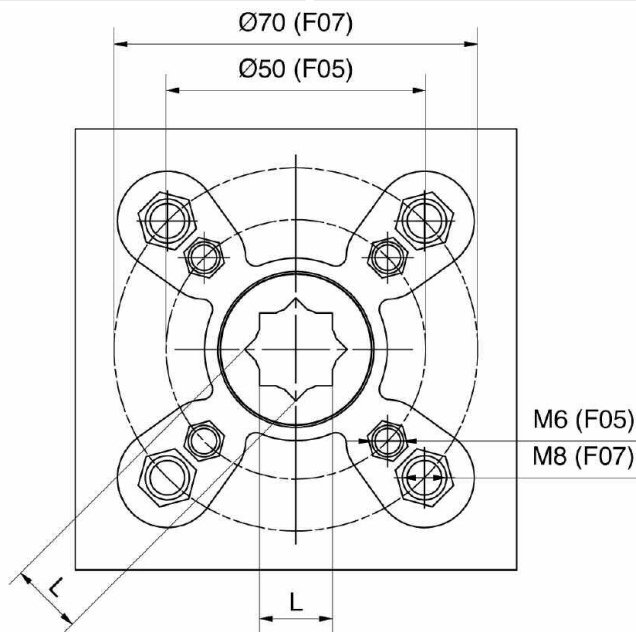
For modulating duties please contact our sales office

## Universal PRO Electric Actuator with ISO 5211 Multi-flange Mounting

### Actuator Standard Design



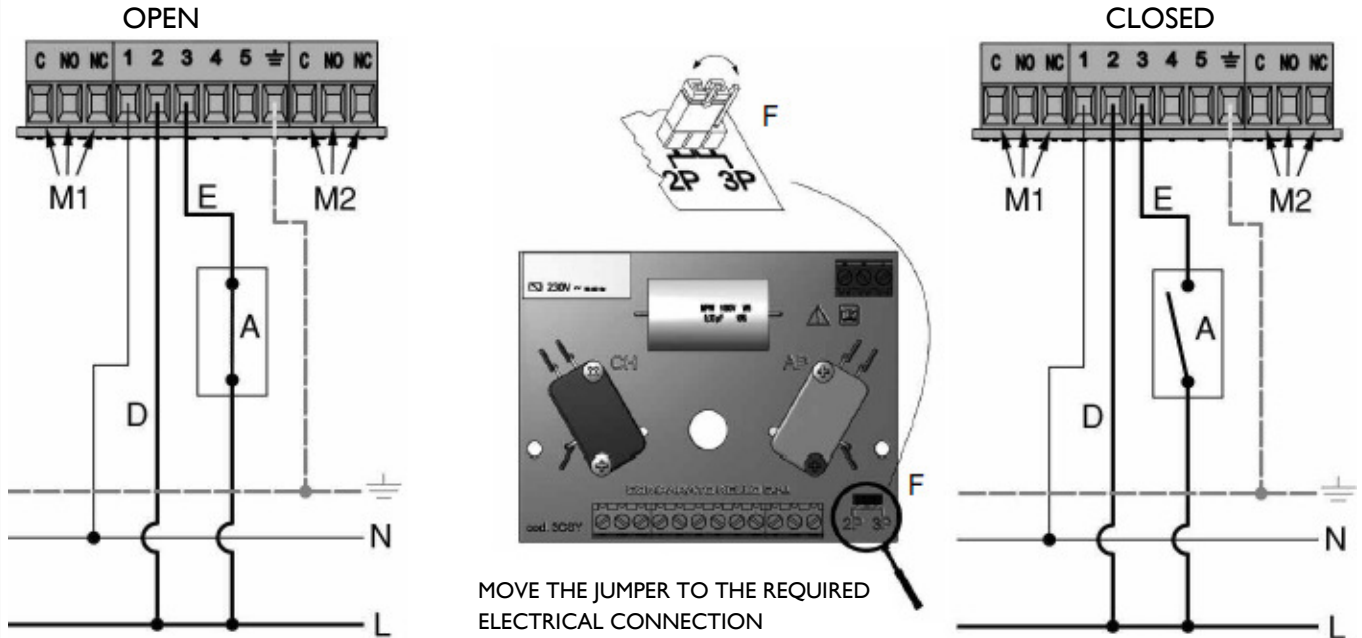
ISO 5211	L
F05	11 mm
F07	14 mm



Dimensions in mm unless otherwise stated.

Information subject to alteration without prior notice

## 2 POINT CONTROL : ON/OFF



- I: NEUTRAL
- 2: PERMANENT LIVE — CLOSE
- 3: SWITCHED LIVE — OPEN
- 4: LIVE OUTPUT — OPEN
- 5: LIVE OUTPUT — CLOSE

- C: COMMON
- NO: NORMALLY OPEN
- NC: NORMALLY CLOSED
- M1: AUXILIARY MICRO SWITCH
- M2: AUXILIARY MICRO SWITCH

- A: SWITCH
- D: CLOSE
- E: OPEN / CLOSE
- F: JUMPER

TERMINAL NO. 3: WHEN SWITCH 'A' IS IN THE CLOSED POSITION THE ACTUATOR OPENS  
WHEN SWITCH 'A' IS IN THE OPEN POSITION THE ACTUATOR CLOSES



### MANUAL OVERRIDE

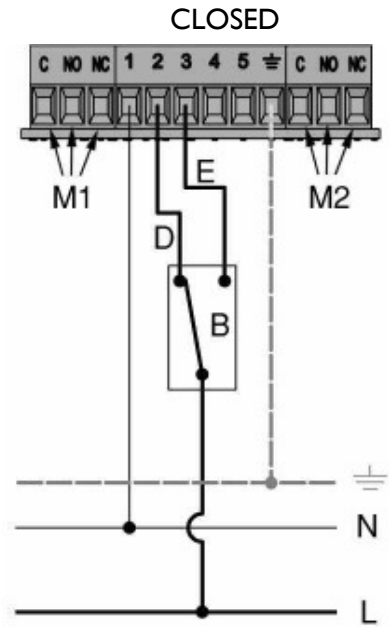
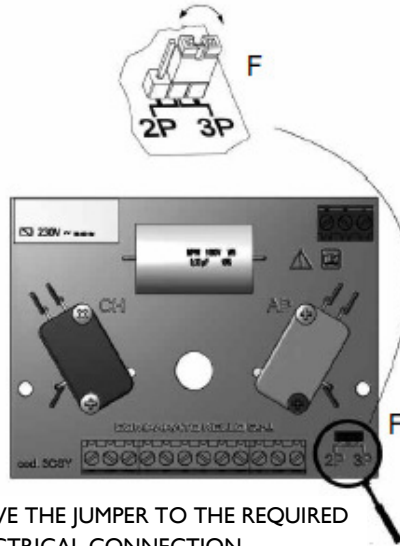
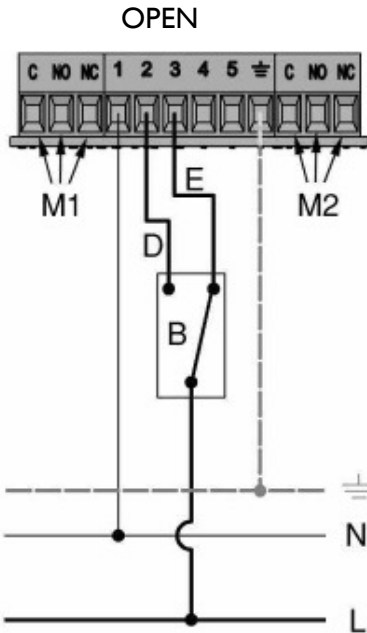
In the event of mains failure the valve will remain in its current position  
In case of emergency the valve can be operated manually by holding down the declutch button 'a' whilst turning the T-Bar 'b' to the desired position



### IMPORTANT

Only operate manually when the unit is:  
'Electrically Isolated' or in the 'Event of Power Failure'

## 3 POINT CONTROL : ON/OFF



- I: NEUTRAL
- 2: LIVE — CLOSE
- 3: LIVE — OPEN
- 4: LIVE OUTPUT — OPEN
- 5: LIVE OUTPUT — CLOSE

- C: COMMON
- NO: NORMALLY OPEN
- NC: NORMALLY CLOSED
- M1: AUXILIARY MICRO SWITCH
- M2: AUXILIARY MICRO SWITCH

- B: SWITCH
- D: CLOSE
- E: OPEN
- F: JUMPER



### MANUAL OVERRIDE

In the event of mains failure the valve will remain in its current position  
In case of emergency the valve can be operated manually by holding down the declutch button 'a' whilst turning the T-Bar 'b' to the desired position



### IMPORTANT

Only operate manually when the unit is:  
'Electrically Isolated' or in the 'Event of Power Failure'