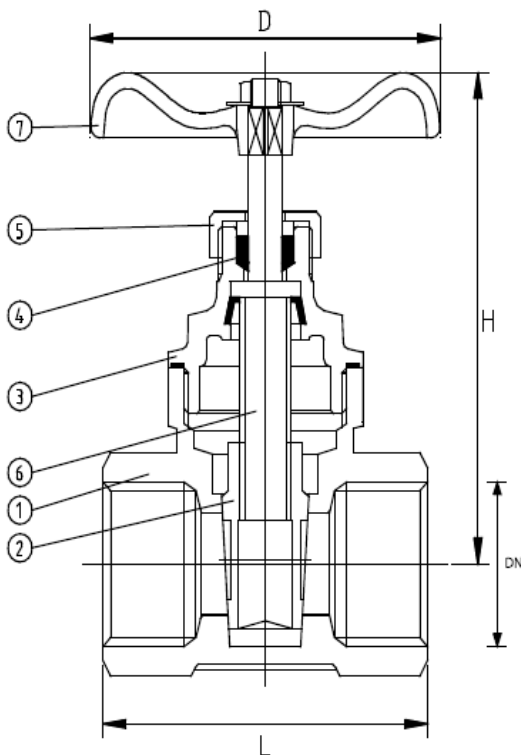


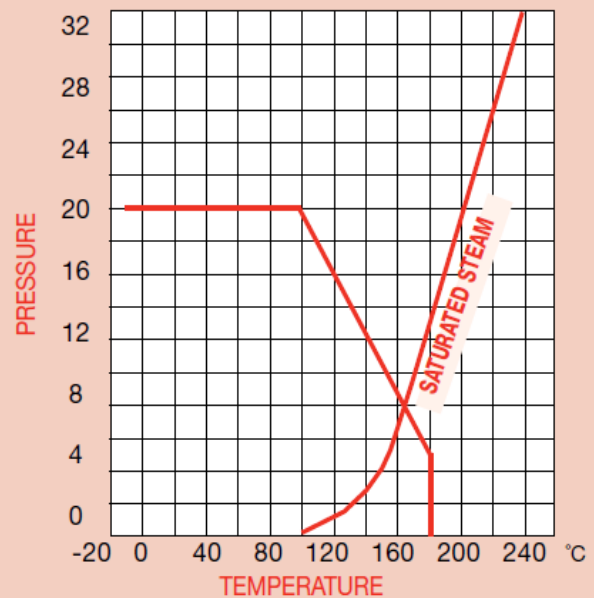
## PN20 Brass Gate Valve

### Features

- Screwed BSP Taper
- BS5154
- Brass Body & Wedge



### Pressure / Temperature



| DN  | 1/2" | 3/4" | 1"   | 1 1/4" | 1 1/2" | 2"    | 2 1/2" | 3"   | 4"   |
|-----|------|------|------|--------|--------|-------|--------|------|------|
| L   | 43   | 46   | 52   | 65     | 66     | 82.5  | 88     | 91   | 110  |
| H   | 72.1 | 76.7 | 87.6 | 103    | 113.7  | 147.7 | 163.5  | 190  | 235  |
| D   | 55   | 55   | 60   | 72     | 72     | 80    | 100    | 110  | 130  |
| Kgs | 0.25 | 0.33 | 0.45 | 0.71   | 0.93   | 1.44  | 2.48   | 3.14 | 5.71 |

### Technical Data

|                     |                 |
|---------------------|-----------------|
| Max Pressure        | 20 bar          |
| Working Temperature | -10°C to +180°C |

| N. | Part Name    | Materials |
|----|--------------|-----------|
| 1  | Body         | Brass     |
| 2  | Wedge        | Brass     |
| 3  | Bonnet       | Brass     |
| 4  | Stem Packing | PTFE      |
| 5  | Gland nut    | Brass     |
| 6  | Stem         | Brass     |
| 7  | Handwheel    | Cast Iron |

Dimensions in mm

This data sheet is designed as a guide and should not be regarded as wholly accurate in every detail. We reserve the right to amend the specification of any product without notice.