

## Duratemp thermometers Model 600A, 600B and 600H

Nominal size 4 ½, 6 and 8 ½ inch  
Accuracy: 1 %

### Features

- Molecular sieve system, low internal pressure
- Extreme shock and vibration resistance
- According to standard ASME B40.200 (former B40.4)
- Unique direct driven bourdon tube, silicone damped
- Low ambient temperature error
- Overload protection 125 % F.S.

### Ranges

-200 ... 100 °C up to 200 ... 650 °C  
-320 ... 200 °F up to 400 ... 1200 °F

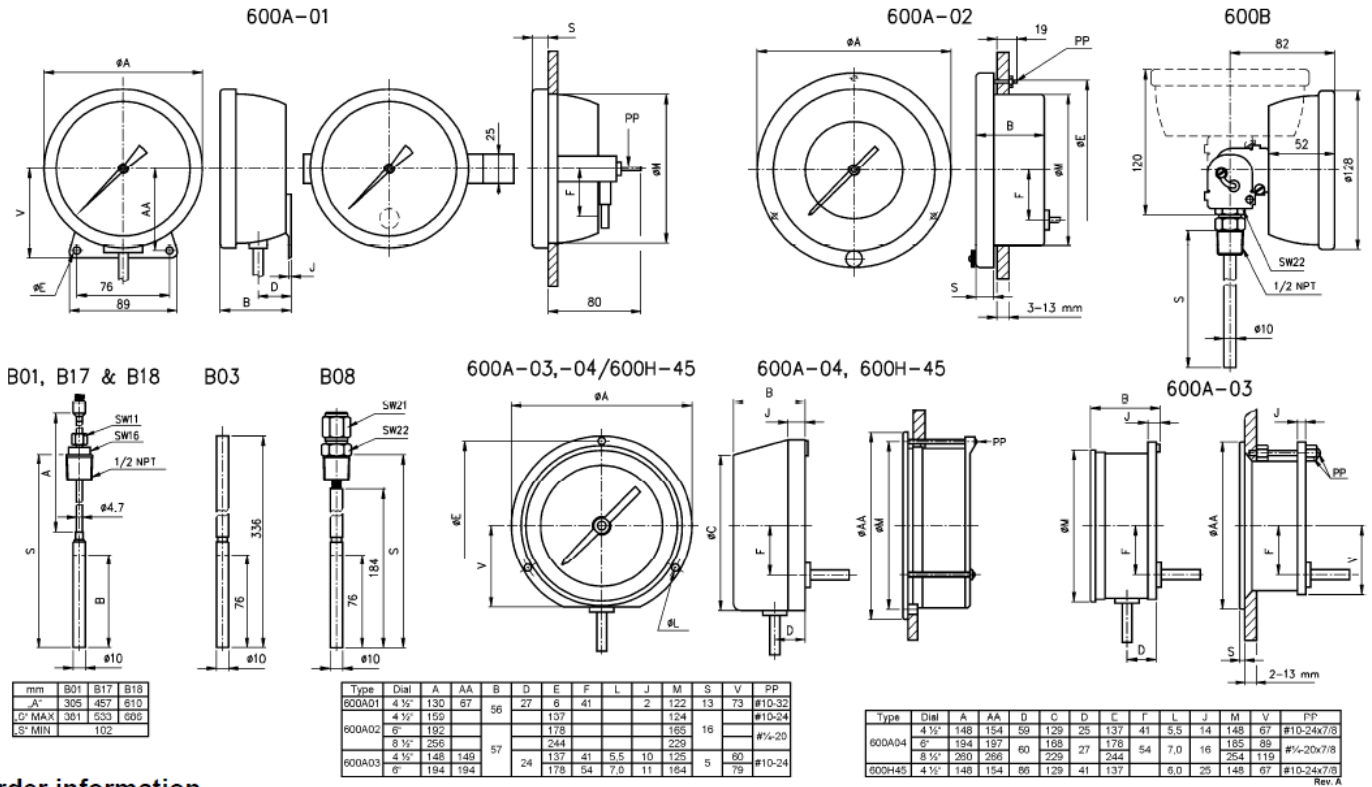
### Applications

Chemical and petrochemical industry  
Machine and apparatus construction  
Navy and marine  
Pulp and paper industry



Technical specification	600A								600H	600B
	01	02		03		04		45		
Case style										
Dial size [inch]	4 ½	4 ½	6	8 ½	4 ½	6	4 ½	6	4 ½	
Remote/direct mounted	Remote with capillary								Direct, rigid stem	Open front
Construction housing ring	Open front	Hinged		Threaded		Snap ring		Solid front	Open front	
Measuring principle	Molecular sieve gas/activated carbon									
Range [°C]	-200/100	-80/40	-40/80		0/120	10/150	0/300	0/400	200/650	
[°F]	-320/200	-100/100	-40/180		20/240	50/300	50/550	50/750	400/1200	
Overtemperature limit	Minimum 125 % F.S., others consult factory									
Sensitive length	3" (76 mm)									
Stem length	12" (304 mm) (B01), 13 ¼" (336 mm) (B03), 18" (457 mm) (B17), 24" (609 mm) (B18)								6", 9", 12", 15"	
Capillary length	5' (1,5 m), 10' (3 m), 20' (6 m), 30' (9 m), 50' (15 m), 80' (24 m), others on request									
Process connection	Plain bulb with rigid extension (B03) ½ NPT male union on stem or capillary (B08) Bendable extension with ½ NPT male union, length 12" (B01), 18" (B17), 24" (B18)								½ NPT male fixed	
Connection orientation	Lower, rear	Rear		Lower		Lower, rear		Lower	Every angle	
Material	Stainless steel 316 (1.4401)									
Connection/stem/bulb	Stainless steel 300 series									
Capillary/armor	304 (1.4301)	Aluminum		Aluminum		Phenolic		Phenolic herm. sealed	304 (1.4301)	
Case										
Window	Instrument glass, optional laminated safety glass or acrylic glass									
Dial	Aluminum, black markings on white background									
Pointer	Aluminum, black, optional red set hand or maximum pointer									
Accuracy	1 % F.S.									
Permissible										
Ambient temperature	-25 ... 70 °C									
Storage temperature	-40 ... 75 °C									
Effect	At mid scale 0,3 % / 10 K									
Protection according EN 60 529/IEC 529	IP54, optional IP65							IP65	IP54, optional IP65	
Mounting	Surface or flush, depending on configuration							Surface	Direct	
Weight [kg]	Consult factory, depending on configuration									
Accessories, options	Thermowells, dual scale, contacts, calibration certificates									

General dimensions [mm]



mm	B01	B17	B18
A*	305	457	610
C* MAX	361	533	606
S* MIN	102		

Type	Dial	A	AA	B	D	E	F	L	J	M	S	V	PP
600A01	4 1/2"	130	87	56	27	8	41	2	122	13	73	#10-32	
600A02	6"	192				137				124			#10-24
	8 1/2"	256				244				229			#1/4-20
600A03	4 1/2"	148	149	57	24	137	41	5.5	10	125	5	60	#10-24
	6"	194	194			178	54	7.0	11	164		79	#10-24

Type	Dial	A	AA	B	D	C	D	E	F	L	J	M	V	PP
600A04	4 1/2"	148	154	59	129	25	137	41	5.5	14	148	67	#10-24x7/8	
	6"	194	197	60	168	27	178	64	7.0	16	185	89	#1/4-20x7/8	
	8 1/2"	260	266	60	229		244				254	119	#10-24x7/8	
600H45	4 1/2"	148	154	65	129	41	137			6.0	25	148	67	#10-24x7/8

Order information

Type	Case style	Mounting	Bulb style/length	Armor style	Line length	Range	Options
600A	(01) Stainless steel with bayonet ring	(C01) 4 1/2" surface lower (C11) 4 1/2" flush rear	<b>Bendable extension length with 1/2 NPT male union connection</b>  (B01) 12" (304 mm) (B17) 18" (457 mm) (B18) 24" (609 mm)  <b>Plain bulb with rigid extension length</b>  (B03) 13" (336 mm)  <b>Plain bulb with rigid extension and with 1/2 NPT male union connection</b>  (B08) Sliding on bulb or capillary	(A1) Stainless steel spring lock	(L01) 5 ft (1,5 m)	in °C (AY) -200/ 100 °C (BL) -80/ 40 °C (BN) -40/ 80 °C (BS) 0/ 120 °C (BT) 10/ 150 °C (BU) 0/ 300 °C (BW) 0/ 400 °C <sup>1)</sup> (BJ) 200/ 650 °C <sup>1)</sup>	(NH) Tagging wired  (EP) Maximum pointer adjustable  (EQ) Minimum pointer adjustable  (PD) Acrylic glass (SG) Safety glass (SH) Red set hand stationary  (EO) Red set hand externally adjustable  (ED) High/low electrical contact  (EE) Double high electrical contact  (EF) Double low electrical contact
	(02) Aluminum hinged ring	(C12) 4 1/2" flush rear (C27) 6" flush rear (C35) 8 1/2" flush rear			(L03) 10 ft (3 m)	(AB) -320/ 200 °F (AE) -100/ 100 °F (AG) -40/ 180 °F (AK) 20/ 240 °F (AL) 50/ 300 °F (AN) 50/ 550 °F (AR) 50/ 750 °F <sup>1)</sup> (AT) 400/ 1200 °F <sup>1)</sup>	
	(03) Aluminum threaded ring	(C02) 4 1/2" surface lower (C15) 6" surface lower			(L07) 20 ft (6 m)	Dual scales °F/°C (CE) 20/ 240 °F 0/ 120 °C (CF) 50/ 550 °F 0/ 300 °C (DR) 50/ 300 °F 10/ 150 °C	
	(04) Phenolic snap ring	(C03) 4 1/2" surface lower (C08) 4 1/2" surface rear (C38) 4 1/2" flush rear (C16) 6" surface lower (C42) 6" flush rear			(L09) 30 ft (9 m)	(DT) -40/ 180 °F -40/ 80 °C	
600H	(45) Phenolic hermetically sealed	(C60) 4 1/2" surface lower			(L13) 50 ft (15 m)		
600B	(=) Stainless steel with bayonet ring	(=) 4 1/2" direct lower	(01) 6" (152 mm) (02) 9" (228 mm) (03) 12" (304 mm) (04) 15" (381 mm)	(=) not available	(=) not available		

How to order

Type	Case style	Mounting	Bulb style/length	Armor style	Line length	Range	Option
600A	01	C01	B01	A1	L01	BS	NH