

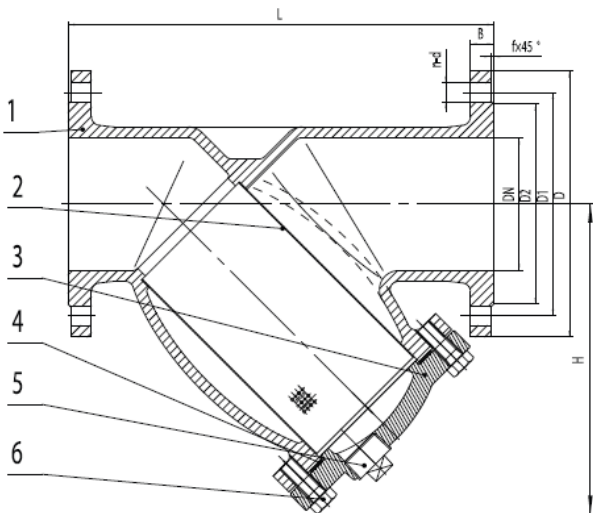
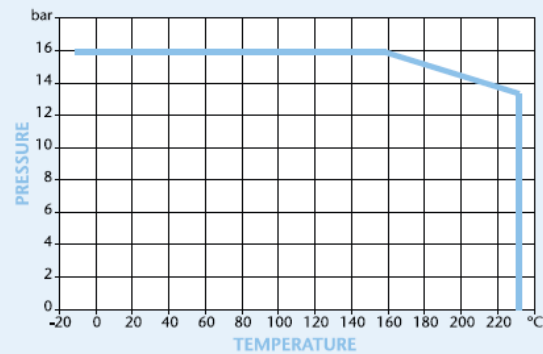
## PN16 Cast Iron "Y" Strainer

### Features

- Flange Mounting PN16 Only
- BS EN 558-1 Series 1



### Pressure/Temperature



DN	50	65	80	100	125	150	200	250	300
L	230	290	310	350	400	480	600	730	850
D	165	185	200	220	250	285	340	405	460
D1	125	145	160	180	210	240	295	355	410
D2	99	118	132	156	184	211	266	319	370
B	20	20	22	24	26	26	30	32	32
f	3	3	3	3	3	3	3	3	4
n-d	4-19	4-19	8-19	8-19	8-19	8-23	12-23	12-28	12-28
H	156	176	199	240	292	320	399	516	568
Mesh	1.5	1.5	1.5	1.5	1.5	1.5	1.5	1.5	1.5
Kgs	10.1	14	20.3	26.6	39.8	57	97	164	234

### Technical Data

Maximum Pressure 16 Bar

Working Temperature -10°C to +230°C

N.	Part Name	Materials
1	Body	Cast Iron GG25
2	Screen	Stainless Steel
3	Bonnet	Cast Iron
4	Gasket	Graphite
5	Plug	Cast Brass
6	Bolt	Steel

Dimensions in mm

This data sheet is designed as a guide and should not be regarded as wholly accurate in every detail. We reserve the right to amend the specification of any product without notice.