

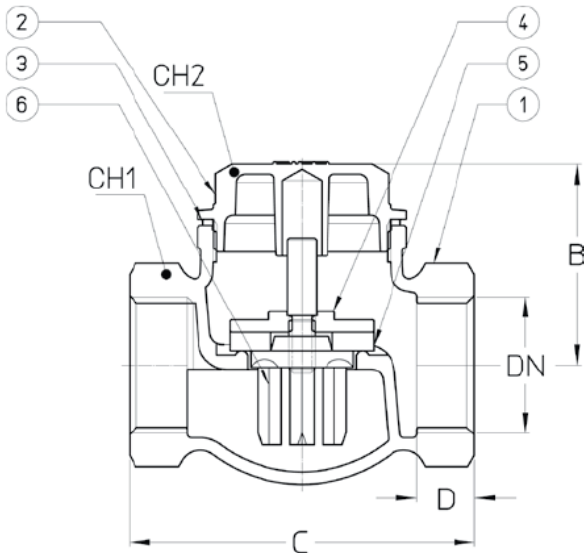
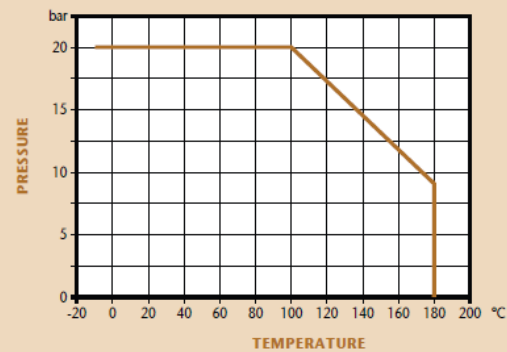
PN20 Bronze Lift Check Valve

Features

- Screwed BSP Parallel
- Bronze Body
- PTFE Disc
- PN20 Rated
- BS 5154 (BS EN12288)



Pressure / Temperature



DN	3/8"	1/2"	3/4"	1"	1 1/4"	1 1/2"	2"
B	31	36	40	48	54	60	79
C	57	60	70	84	91	104	126
D	11	11	11	12	16	16	19
CH1	25	29	35	44	52	59	72
CH2	22	22	28	37	40	48	55
Kgs	0.22	0.28	0.45	0.80	0.97	1.50	2.64

Technical Data

Max Pressure	20 Bar
Working Temperature	-10°C to +180°C

N.	Part Name	Materials
1	Body	Bronze
2	Bonnet	Brass
3	Body Packing	NA 1100
4	Disc Holder	Brass
5	Disc	PTFE
6	Guide	Brass

Dimensions in mm

This data sheet is designed as a guide and should not be regarded as wholly accurate in every detail. We reserve the right to amend the specification of any product without notice.