

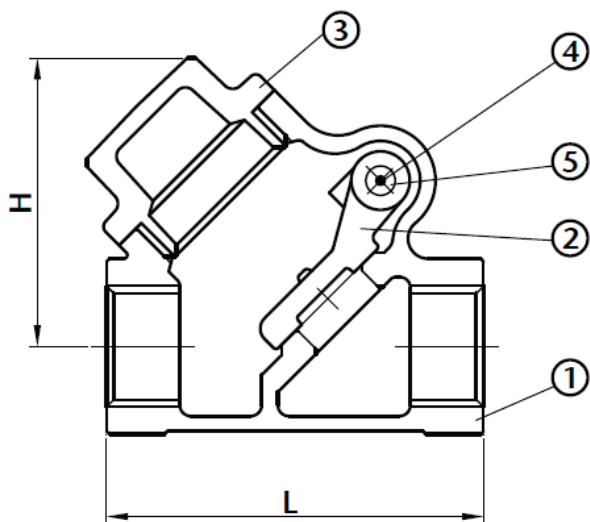
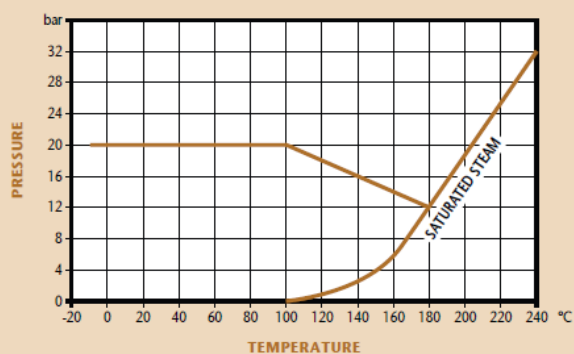


## PN20 Bronze Swing Check Valve

### Features

- Screwed BSP Taper
- Bronze Body & Disc
- PN20 Rated
- BS 5154 (BS EN12288)

### Pressure / Temperature



| DN  | 1/2" | 3/4" | 1"   | 1 1/4" | 1 1/2" | 2"   |
|-----|------|------|------|--------|--------|------|
| L   | 56   | 71   | 80   | 97     | 110    | 129  |
| H   | 43   | 51   | 58   | 68     | 78     | 96   |
| CV  | 3.5  | 6.6  | 12.0 | 22.0   | 30.0   | 50.0 |
| Kgs | 0.28 | 0.43 | 0.59 | 0.91   | 1.31   | 1.86 |

### Technical Data

|                     |                 |
|---------------------|-----------------|
| Max Pressure        | 20 Bar          |
| Working Temperature | -10°C to +180°C |

| N. | Part Name  | Materials |
|----|------------|-----------|
| 1  | Body       | Bronze    |
| 2  | Disc       | Bronze    |
| 3  | Cap        | Bronze    |
| 4  | Hanger Pin | Brass     |
| 5  | Plug       | Brass     |

Dimensions in mm

This data sheet is designed as a guide and should not be regarded as wholly accurate in every detail. We reserve the right to amend the specification of any product without notice.