



## Diaphragm Valve Weir Type

### Features

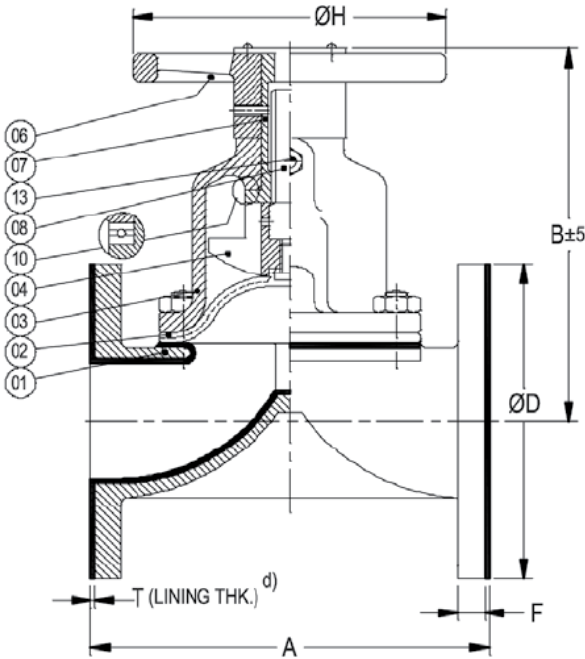
- Flange PN10/16 (525) or ASA150 (535)
- Cast Iron Body Lined
- Non Rising Handwheel Bonnet

Diaphragm Available	Temperature Range
Grade A - Natural Rubber	-30°C to +80°C
Grade EP - EPDM	-30°C to +150°C
Grade R - Nitrile	-10°C to +90°C
Grade N - Neoprene	-25°C to +95°C
Grade B - Butyl	-25°C to +120°C
Grade H - Hypalon	-15°C to +100°C
Grade V - Viton	-5°C to +150°C
Grade T - PTFE/Neoprene	-30°C to +120°C

Technical Data
250mm to 350mm
5 bar

Liners Available	Temperature Range
PFA Lined	-20°C to +175°C
PVDF Lined	-10°C to +130°C
ECTFE Lined	-5°C to +130°C
ETFE Lined	-20°C to +130°C
BUTYL Lined	-10°C to +120°C
Neoprene Lined	-10°C to +105°C
Hard Rubber/Ebonite Lined	-10°C to +85°C

DN	250	300	350
A	645	759	759
B	555	659	800
C	699	825	1025
T	5	5	5
øD	406	483	533
øH	587	690	690
F	24.0	24.0	26.0
Kgs	240	418	480



N.	Part Name	Materials
1	Body	Cast Iron Lined
2	Diaphragm	As per list
3	Bonnet	Cast Iron
4	Compressor	Cast Iron
4A	Thrust Pad	Delrin/PTFE
6	Handwheel	Cast Iron
8	Stem	Stainless Steel 410
9	Indicator	Cast Iron
9C	Indicator Cap	Cast Iron
12	Spring Dowel Sleeve	Spring Steel

Dimensions In mm

This data sheet is designed as a guide and should not be regarded as wholly accurate in every detail. We reserve the right to amend the specification of any product without notice.