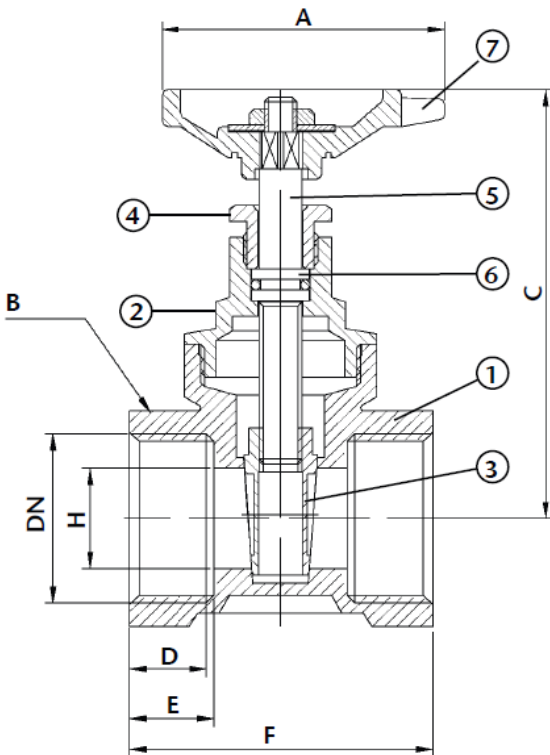


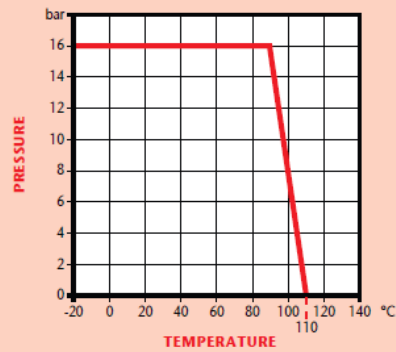
PN16 Brass Gate Valve

Features

- Screwed BSP Parallel
- Brass Body & Wedge



Pressure / Temperature



DN	1/4"	3/8"	1/2"	3/4"	1"	1 1/4"	1 1/2"	2"
A	55	55	55	55	60	70	70	80
B	24	24	24	31	37	47	54.5	65
C	65	65	65	66	70	98	10.5	122
D	10	10	10.5	11	12	12	14	14
E	11	11	11	11.5	12.5	13	15	15
F	39	39	39	41	47	51	58	58
H	11	12	13	15	19	25	31	37
Kgs	0.15	0.15	0.20	0.26	0.36	0.53	0.73	0.96

Technical Data

Max Pressure	16 Bar
Working Temperature	-20°C to +110°C

N.	Part Name	Materials
1	Body	Brass
2	Body End	Brass
3	Wedge	Brass
4	Gland nut	Brass
5	Stem	Brass
6	Stem Packing	PTFE
7	Handwheel	Cast Iron

Dimensions in mm

This data sheet is designed as a guide and should not be regarded as wholly accurate in every detail. We reserve the right to amend the specification of any product without notice.