

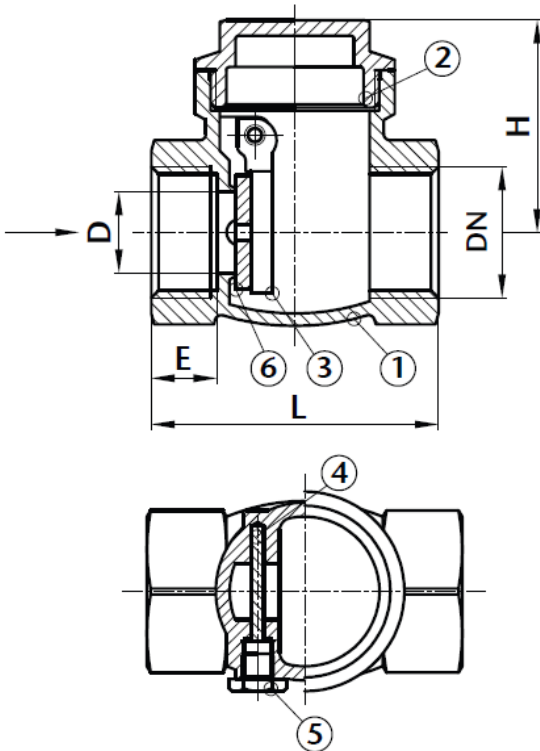
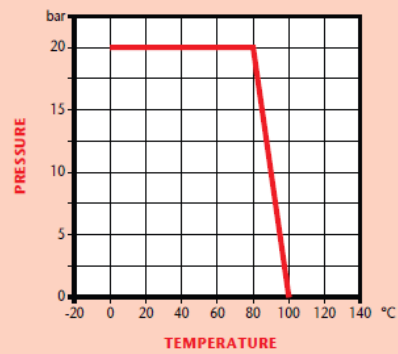
PN20 Brass Swing Check Valve

Features

- Screwed BSP Parallel
- Brass Body
- NBR Rubber Seat



Pressure / Temperature



DN	1/2"	3/4"	1"	1 1/4"	1 1/2"	2"	2 1/2"	3"	4"
L	46	56	63	67.5	82	94	106	126.5	159
H	34	37.5	44.5	50	56.5	64.5	76	82	103
E	10.5	13.5	14.5	14.5	17	19	19	23.5	27.5
D	13	18	22	29	33	42	47	62	83
Kgs	0.15	0.22	0.34	0.52	0.75	1.14	1.83	2.44	4.93

Technical Data

Max Pressure	20 Bar
Working Temperature	0°C to +100°C

N.	Part Name	Materials
1	Body	Brass
2	Bonnet	Brass
3	Disc	Brass
4	Pin	Stainless Steel 304
5	Plug	Brass
6	Sealing Ring	NBR

Dimensions in mm

This data sheet is designed as a guide and should not be regarded as wholly accurate in every detail. We reserve the right to amend the specification of any product without notice.