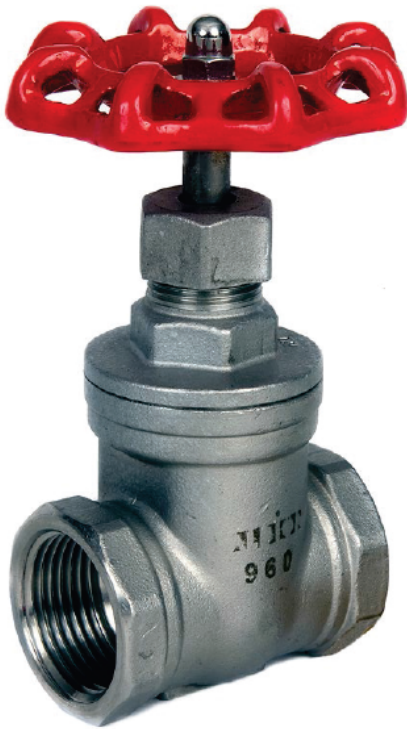


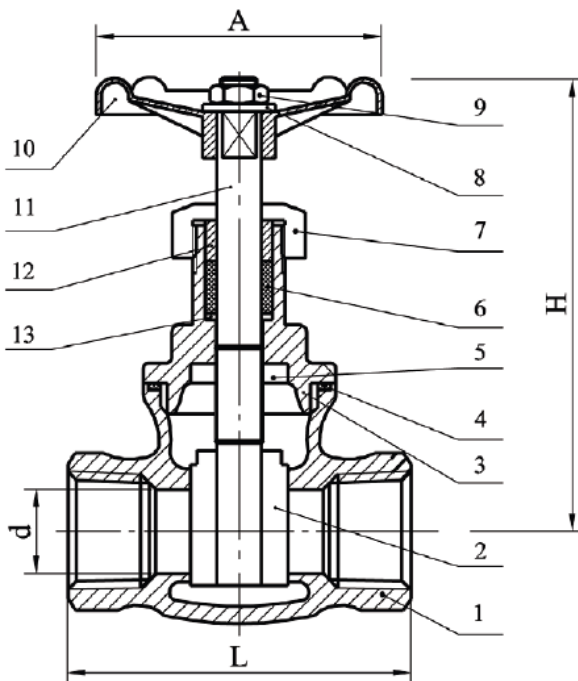
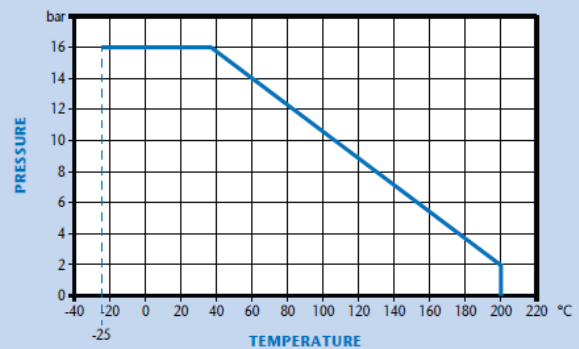
PN16 Stainless Steel Gate Valve

Features

- Screwed BSP Parallel
- PTFE Seals
- Full Bore
- PN16 Rated



Pressure / Temperature



Technical Data

Max Pressure	16 Bar
Working Temperature	-25°C to +200°C

DN	1/4"	3/8"	1/2"	3/4"	1"	1 1/4"	1 1/2"	2"
d	10	12	15	20	25	32	40	50
L	55	55	55	60	65	73	76	85
H	98	98	98	104	115	125	137	160
A	66	66	66	72	72	97	97	108
Kgs	0.42	0.42	0.41	0.53	0.69	0.99	1.31	1.85

N.	Part Name	Material
1	Body	CF8M
2	Disc	CF8M
3	Bonnet	CF8M
4	Gasket	PTFE
5	Snap Washer	Stainless Steel 316
6	Packing	PTFE
7	Packing Nut	Stainless Steel 316
8	Washer	Stainless Steel 304
9	Wheel Nut	Stainless Steel 304
10	Hand Wheel	Aluminium Alloy
11	Stem	Stainless Steel 316
12	Gland	Stainless Steel 304
13	Snap Washer	Stainless Steel 304

Dimensions in mm

This data sheet is designed as a guide and should not be regarded as wholly accurate in every detail. We reserve the right to amend the specification of any product without notice.