

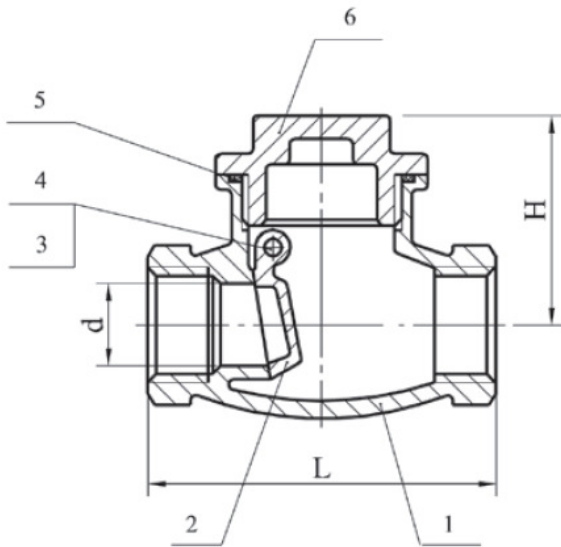
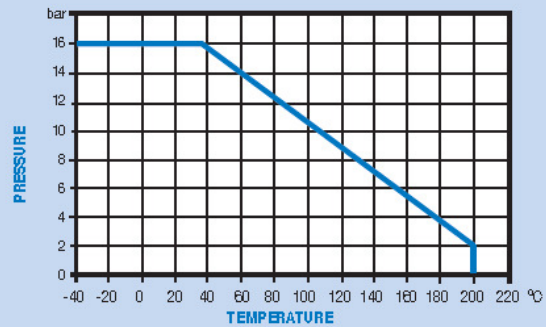


PN16 Stainless Steel Swing Check Valve

Features

- Screwed BSP Parallel
- Metal Seat
- PTFE Joint Gasket

Pressure / Temperature



DN	1/4"	3/8"	1/2"	3/4"	1"	1 1/4"	1 1/2"	2"
d	10	12	15	20	25	32	40	50
L	63	63	63	74	85	101	115	135
H	42	42	42	46	50	54	64	71
Kgs	0.27	0.26	0.25	0.34	0.47	0.76	1.03	1.45

Technical Data

Max Pressure 16 Bar
Working Temperature -25°C to +200°C

N.	Part Name	Material
1	Body	CF8M
2	Disc	CF8M
3	Pipe Plug	Stainless Steel 316
4	Plug Gasket	PTFE
5	Body Gasket	PTFE
6	Cap	CF8M

Dimensions in mm

This data sheet is designed as a guide and should not be regarded as wholly accurate in every detail. We reserve the right to amend the specification of any product without notice.