

Low pressure bellows gauge, solid front Model 1187, 1188 and 1189

According ASME B40.1
Nominal size 4 ½ and 6 inch
Accuracy: Grade A (2-1-2 %)

Features

- Rugged construction
- Protection IP54
- High sensitivity
- Phenolic or Aluminum case
- Bellows-actuated mechanism
- Measuring system brass, stainless steel or Monel

Ranges

-25 ... 0 mbar up to 0 ... 600 mbar
-10 ... 0 in. H₂O up to 0 ... 10 psi

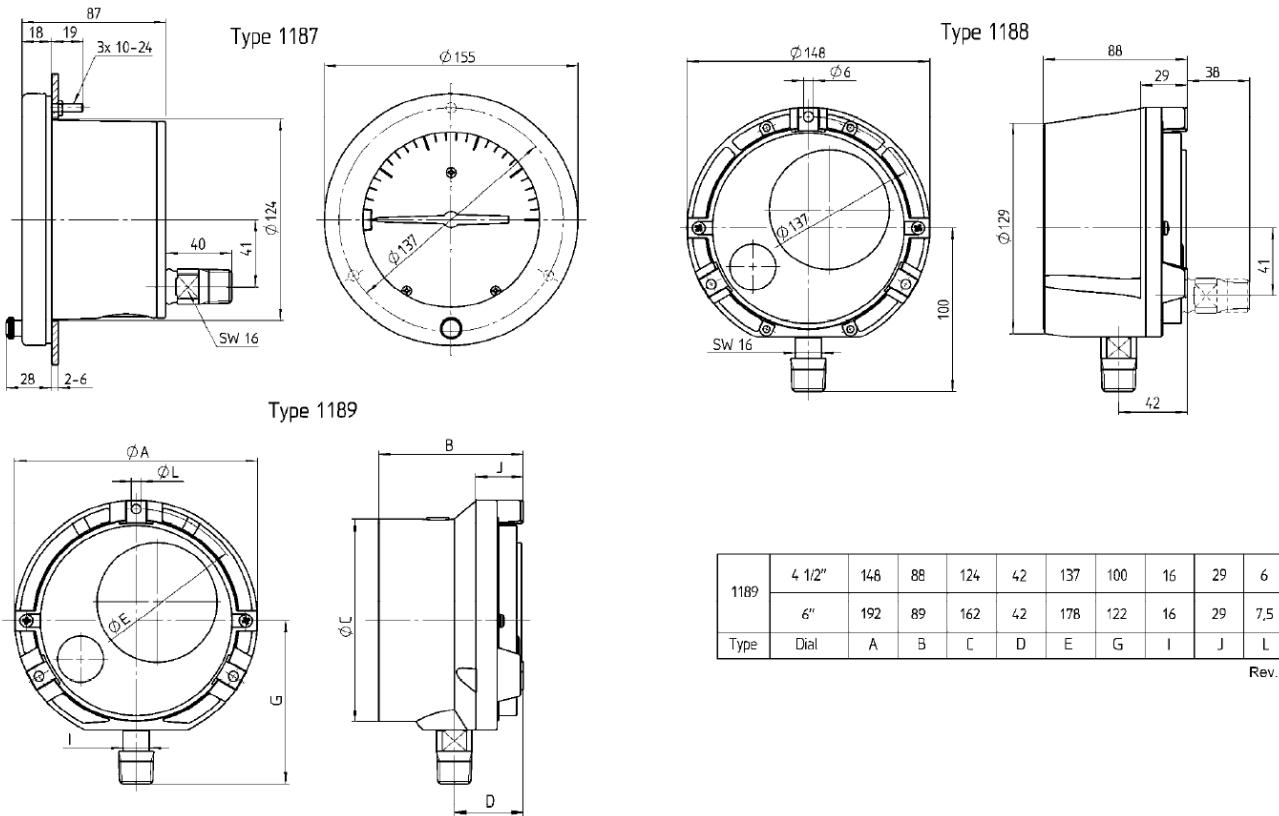
Applications

Chemical and petrochemical industry
Machine and apparatus construction
Air handling and packing systems



Technical specification	1188	1189			1187
Dial size in inch	4 ½	4 ½	6		4 ½
Construction housing ring	Solid front safety pattern with blow out at the back Threaded		Threaded	Hinged	
Measuring principle	Bellows-actuated mechanism				
Range in mbar	25 40 60 100 160 250 400 600	-25 -40 -60 -100 -160 -250 -400 -600			
Overpressure limit	±12,5 ±20 ±30 ±50 ±80 ±125 ±200 ±300				
Pressure type	F.S., short time Gauge, vacuum and compound				
Process connection	¼ NPT male (standard), ½ NPT male according ANSI/ASME B1.20.1/EN 837-1 Metric connections with adapter G ¼ B male, G ½ B male according EN 837-1, M20x1,5 male Others on request				
Connection location	Lower, back	Lower	Back		
Material	Brass, stainless steel 316 (1.4401) or Monel				
Pressure connection	Brass, stainless steel 316 (1.4401) or Monel		Aluminum		Aluminum
Bellows	Phenolic		Polypropylene		Steel enamel coated
Case	Phenolic		Polypropylene		
Ring	Polypropylene		Polypropylene		
Window	Instrument glass, optional laminated safety glass or acrylic glass				
Dial	Aluminum, black markings on white background				
Pointer	Aluminum, black, micrometer adjustment				
Movement	Series 400 stainless steel				
Accuracy	Grade A (2-1-2 % F.S.)				
Permissible					
Ambient temperature	-15 ... 60 °C				
Medium temperature	Max. 120 °C				
Storage temperature	-40 ... 65 °C				
Effect	Max. 0,3 % / 10 K				
Protection according EN 60 529/IEC 529	IP54				
Mounting	Stem, surface, optional flush			Stem, flush	
Weight in kg	1,1	1,1	1,4	1,1	
Accessories, options	Diaphragm seals, valves				

General dimensions in mm



Order information

Size	Type	System material	Execution	Process connection	Connection orientation	Range	Engineering unit	Options	
(45) 4 1/2 inch (115 mm)	1187	(A) Brass	(S) Standard IP54	(02) 1/4 NPT male	(L) Lower <small>(not for type 1187)</small>	-25/ 0	MBAR	(NH) Tagging wired	
	1188	(S) 316 (1.4401)				(04) 1/2 NPT male			-40/ 0
(60) 6 inch (150 mm) <small>(not for type 1187 and 1188)</small>	1189	(P) Monel 400		Metric connections with adapter	(B) Back <small>(not for type 1189)</small>	-60/ 0		(SG) Safety glass	
						(13) G 1/4 B male			-100/ 0
						(15) G 1/2 B male			-160/ 0
						(16) M20x1,5 male			-250/ 0
									-400/ 0
									-600/ 0
									0/ 25
									0/ 40
									0/ 60
									0/ 100
	0/ 160								
	0/ 250								
	0/ 400								
	0/ 600								
		-12.5/ 12.5							
		-20/ 20							
		-30/ 30							
		-50/ 50							
		-80/ 80							
		-125/ 125							
		-200/ 200							
		-300/ 300							
			others on request				in. H ₂ O and others on request	others on request	

Order example

Size	Type	System material	Execution	Process connection	Connection orientation	Range	Engineering unit	Options
45	1188	S	S	02	L	0/25	MBAR	NH