

Industrial black finish steel case gauges

Model 4005

According ASME B40.1/EN 837-1
 Nominal size 40 mm, 50 mm, 63 mm and 100 mm
 Black sheet steel case

Features

- Rugged construction
- Protection IP54
- Overload protection 130 %
- Dry

Ranges

-1 ... 0 bar up to 0 ... 40 bar
 -30 in. Hg ... 0 psi up to 0 ... 600 psi

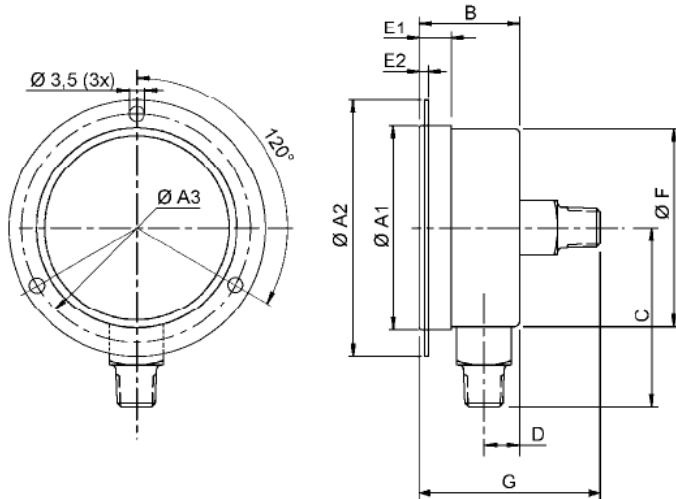
Applications

Heating and ventilation
 Machine and apparatus construction

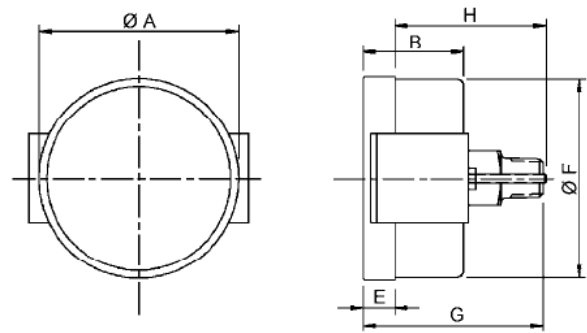


Technical specification	4005			
Dial size in inch	1 ½	2	2 ½	4
Dial size in mm	40	50	63	100
Construction	Open front with crimped ring			
Measuring principle	Bourdon tube with conventional movement			
Range in bar	1	1,6	2,5	4
	6	10	16	25
	40			
Overpressure limit	-1/0	-1/2	-1/4	-1/10
Pressure type	130 % F.S., short time			
Process connection	Gauge, vacuum and compound			
Process connection	1/8 NPT male, G 1/8 B male	1/8 NPT male, ¼ NPT male, G 1/8 B male, G ¼ B male		¼ NPT, ½ NPT male, G ¼ B, G ½ B male
Connection location	Lower, back			Lower
Material				
Pressure connection	Brass			
Tube	Bronze			
Case/ring	Black finished steel case			
Window	Acrylic, optional instrument glass			
Dial	Aluminum, black markings on white background			
Pointer	Aluminum, black			
Movement	Brass			
Accuracy	Grade B (3-2-3 %), optionally Grade A (2-1-2 %) according to ASME B40.1, Class 2,5 or Class 1,6 according to EN 837-1			
Permissible				
Ambient temperature	-25 ... 60 °C			
Medium temperature	Max. 100 °C			
Storage temperature	-40 ... 65 °C			
Effect	Max. 0,3 % / 10 K			
Protection according EN 60 529/IEC 529	IP54			
Mounting	Stem, optional flush			Stem
Weight dry in kg	0,1	0,2	0,25	0,4
Accessories, options	Diaphragm seals, valves			

FF



UC



Rev. A

Dial size		A1	A2	A3	B	C	D	E1		E2	F	G
mm	inch							back	lower			
40	1 ½	42	61,5	26	25	37	8	5	8	8	41	40
50	2	53	73	31	28	46	9	10		-	51	47
63	2 ½	63	87	39	29	50	11	-		-	62	
100	4	100	-	-	36	77	12	14	-	-	99	-

Dial size		A	B	E	F	G	H
mm	inch						
40	1 ½	45	25	5	41	41	31
50	2	56	28	4	51	46	40
63	2 ½	99	29	6	63		42

Panel mounting with U-clamp (option UC)

Order information

Size	System material	Execution	Process connection	Connection orientation	Range	Engineering units	Filling liquid	Options
(15) 1 ½ inch 40 mm	(B) Tube bronze and socket brass	(D) Standard dry IP54	(01) 1/8 NPT male ³⁾	(L) Lower	-1/ 0	(BAR)	(=) Standard no filling	(NH) Tagging wired
			(02) ¼ NPT male ¹⁾	(B) Back (not for dial size 100 mm)	-1/ 2			(ON) Neutral, without logo
			(13) G ¼ B male ¹⁾		-1/ 4			(UC) U-clamp (only back connection, not for dial size 100 mm)
			(04) ½ NPT male ²⁾		-1/ 10			(FF) Chrome plated ring for panel mount (only back connection, not for dial size 100 mm)
(20) 2 inch 50 mm	(B) Tube bronze and socket brass	(D) Standard dry IP54	(15) G ½ B male ²⁾		0/ 1	(BAR)	(=) Standard no filling	(CS) Dual scale
			(76) G 1/8 B male ³⁾ (with spigot, only for dial size 40 mm, 50 mm and 63 mm)		0/ 1,6			(GRA) Accuracy grade A
(25) 2 ½ inch 63 mm	(B) Tube bronze and socket brass	(D) Standard dry IP54	(77) G 1/8 B male ³⁾ (without spigot, only for dial size 40 mm, 50 mm and 63 mm)		0/ 2,5	(BAR)	(=) Standard no filling	(GRB) Accuracy Class 2,5
					0/ 4			(GRC) Accuracy Class 1,6
(40) 4 inch 100 mm	(B) Tube bronze and socket brass	(D) Standard dry IP54			0/ 6	(BAR)	(=) Standard no filling	
					0/ 10			
					0/ 16			
					0/ 25			
					0/ 40			

¹⁾ not for dial size 40 mm
²⁾ only for dial size 100 mm
³⁾ not for dial size 100 mm

psi and others on request

Order example

Size	Type	System material	Execution	Process connection	Connection orientation	Range	Engineering unit	Filling liquid	Option
25	4005	B	D	02	L	0/16	BAR	=	GRA