

Capsule type pressure gauge

Model N5500

According EN 837-3

Nominal size 100 mm or 160 mm

Accuracy: Class 1,6

Features

- Stainless steel construction
- Suitable for corrosive environments
- Usable to full scale
- Overload protection up to 10 times F.S.
- Adjustment at back side of the case

Ranges

-6 ... 0 mbar up to 0 ... 400 mbar

-2,5 ... 0 in. H₂O up to 0 ... 150 in. H₂O

Applications

Chemical and petrochemical industry

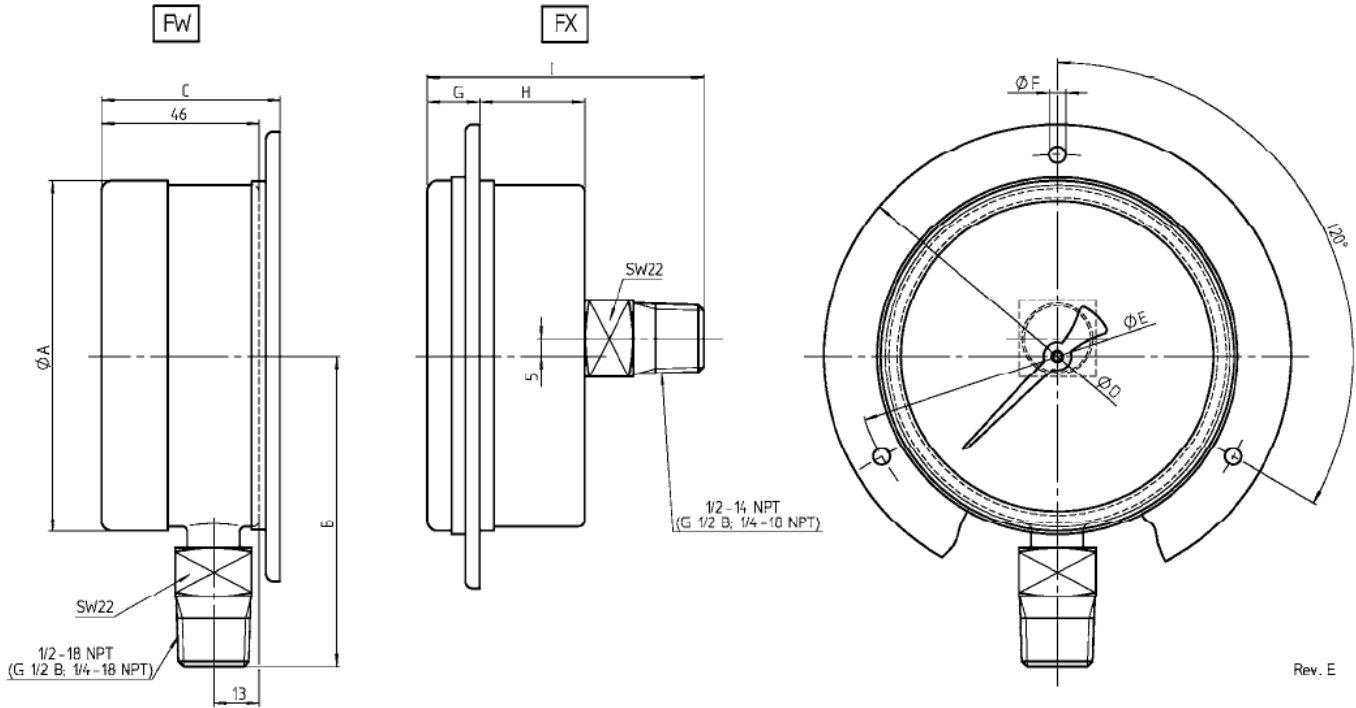
Air conditioning

Food and beverage industry

Machine and apparatus construction



Technical specification	N5500																									
	100	160																								
Dial size in mm	100	160																								
Construction	Open front cylindrical case, optional with blow out disc at the back																									
Zero adjustment	Externally, at the back side of the case																									
Measuring principle	Capsule																									
Range in mbar	<table style="display: inline-table; border-collapse: collapse;"> <tr> <td style="border-right: 1px solid black; padding: 0 5px;">6</td> <td style="padding: 0 5px;">10</td> <td style="padding: 0 5px;">16</td> <td style="padding: 0 5px;">-6/0</td> <td style="padding: 0 5px;">-10/0</td> <td style="padding: 0 5px;">-16/0</td> </tr> <tr> <td style="border-right: 1px solid black; padding: 0 5px;">25</td> <td style="padding: 0 5px;">40</td> <td style="padding: 0 5px;">60</td> <td style="padding: 0 5px;">100</td> <td style="padding: 0 5px;">160</td> <td style="padding: 0 5px;">250</td> </tr> <tr> <td style="border-right: 1px solid black; padding: 0 5px;">400</td> <td style="padding: 0 5px;">-25/0</td> <td style="padding: 0 5px;">-40/0</td> <td style="padding: 0 5px;">-60/0</td> <td style="padding: 0 5px;">-100/0</td> <td style="padding: 0 5px;">-160/0</td> </tr> <tr> <td style="border-right: 1px solid black; padding: 0 5px;"></td> <td style="padding: 0 5px;">-250/0</td> <td style="padding: 0 5px;">-400/0</td> <td colspan="3"></td> </tr> </table>		6	10	16	-6/0	-10/0	-16/0	25	40	60	100	160	250	400	-25/0	-40/0	-60/0	-100/0	-160/0		-250/0	-400/0			
6	10	16	-6/0	-10/0	-16/0																					
25	40	60	100	160	250																					
400	-25/0	-40/0	-60/0	-100/0	-160/0																					
	-250/0	-400/0																								
Overpressure limit	Continues service up to maximum rating, alternating service up to 90 % F.S. Optional overrange protected up to 10 times F.S. (max. 2 bar)																									
Pressure type	Gauge, vacuum and compound																									
Process connection	G ¼ B male, G ½ B male, M20x1,5 male ¼ NPT male, ½ NPT male, according ANSI/ASME B1.20.1/EN 837 Others on request																									
Connection location	Lower, back																									
Material																										
Pressure connection	316 series stainless steel (1.4571 or 1.4401)																									
Capsule	316 series stainless steel (1.4571 or 1.4401)																									
Case/bayonet ring	Stainless steel 304 (1.4301), optional 316 (1.4401)																									
Window	Instrument glass, optional laminated safety glass or acrylic glass																									
Dial	Aluminum, black markings on white background																									
Pointer	Aluminum, black, optional red set hand or maximum pointer																									
Movement	Nickel plated brass																									
Accuracy	Class 1,6 (1,6 % F.S.)																									
Permissible																										
Ambient temperature	-25 ... 60 °C																									
Medium temperature	Max. 100 °C																									
Storage temperature	-40 ... 60 °C																									
Effect	Max. 0,5 % / 10 K																									
Protection according EN 60 529/IEC 529	IP45																									
Mounting	Standard stem, optional flush or surface, others on request																									
Weight in kg	0,8	1,2																								
Accessories, options	Valves, pressure limiters																									



Rev. E

	Range	A	B	C	D	E	F	G	H	I
NG100		102	88	51	132	116	5,5	14	37	75
NG160	< 25 mbar	162	119	51	196	178	6,5	15	32	85
	≥ 25 mbar	162	119	61	196	178	6,5	15	32	85

Order information

Size	System material	Process connection	Connection orientation	Range	Engineering units	Case material	Options
(100) 100 mm	(S) Capsule and connection 316 series stainless steel (1.4571 or 1.4401)	(02) ¼ NPT male (04) ½ NPT male (13) G ¼ B male (15) G ½ B male (16) M20x1,5 male	(L) Lower (B) Back	-6/ 0 ¹⁾	(MBAR)	(=) Standard (YW) Case material 316 (1.4401)	(NH) Tagging wired (CS) Dual scale (DA) Dial marking (RB) Blow out disc (PD) Acrylic glass (SG) Safety glass (HP) Overpressure load 10 times (max. 2 bar) (SH) Red set hand stationary (FW) Back flange (FX) Front flange (only back connection)
(160) 160 mm				-10/ 0 ¹⁾			
-16/ 0 ¹⁾							
-25/ 0							
-40/ 0							
-60/ 0							
-100/ 0							
-160/ 0							
-250/ 0							
-400/ 0							
	0/ 6 ¹⁾						
	0/ 10 ¹⁾						
	0/ 16 ¹⁾						
	0/ 25						
	0/ 40						
	0/ 60						
	0/ 100						
	0/ 160						
	0/ 250						
	0/ 400						
	¹⁾ only size 160 mm						
	compound ranges on request						
	psi and others on request						

Order example

Size	Type	System material	Process connection	Connection orientation	Range	Engineering unit	Case material	Options
160	N5500	S	15	L	0/6	MBAR	=	NH