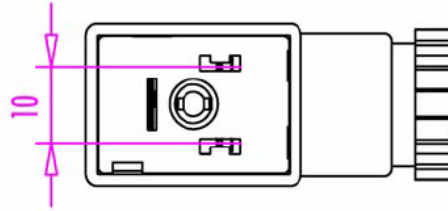


Form B acc. to EN 175301-803 (ISO 6952)

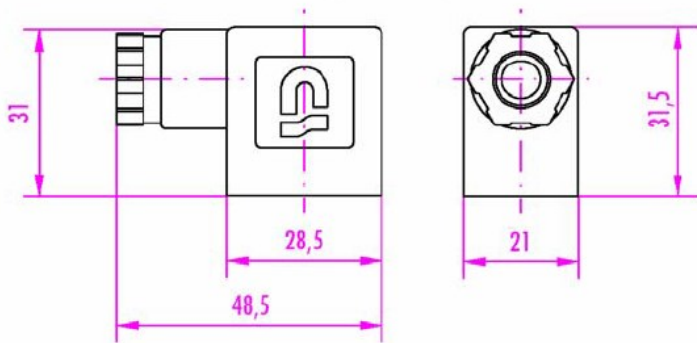
Product Code: 6-13, One-piece Housing
Product Code: 6-43, Two-piece Housing



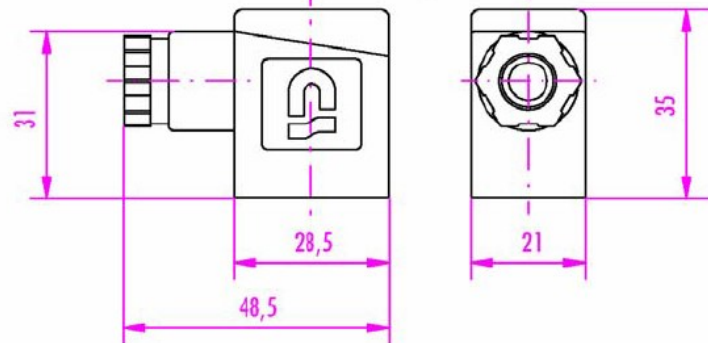
Technical Data

Standard Product Features:	Special Versions as Options:
Clamping contact without wire protecting plate	Clamping contact with wire protecting plate
Housing with M 16x1.5 connection	Housing with 1/2" NPTF connection
Housing and terminal block in polyamide	Housing and terminal block in plastic with fire protection class V1 acc. to UL94
Colour of housing black	-
Colour of housing grey	-
Colour of housing transparent	Colour of housing natural (milky)
Cable gland without cable clamp	Cable gland with cable clamp
Ground position 12h	Ground position 6h
Central-fixing screw in St 4.8 zinc-plated	Central-fixing screw in stainless steel
PreCon logo in the housing	Customized logo on request
Packaging unit 100 pcs.	Single packaging

Product code: 6-13
One-piece housing



Product code: 6-43
Two-piece housing



Part Numbers of Standard Versions

6 - b 3 d e f - 2 h i k

Circuit version number

00: without circuit; 01-99: see page 33; above 99 on request

Circuit version

0= without circuit or components soldered directly to the contact
5= components on the circuit board

Gasket and central-fixing screw

0= without gasket and screw
1= without gasket with standard screw
2= NBR profile gasket, standard screw
3= NBR flat gasket, standard screw
4= silicone flat gasket, standard screw

Ground position and connection

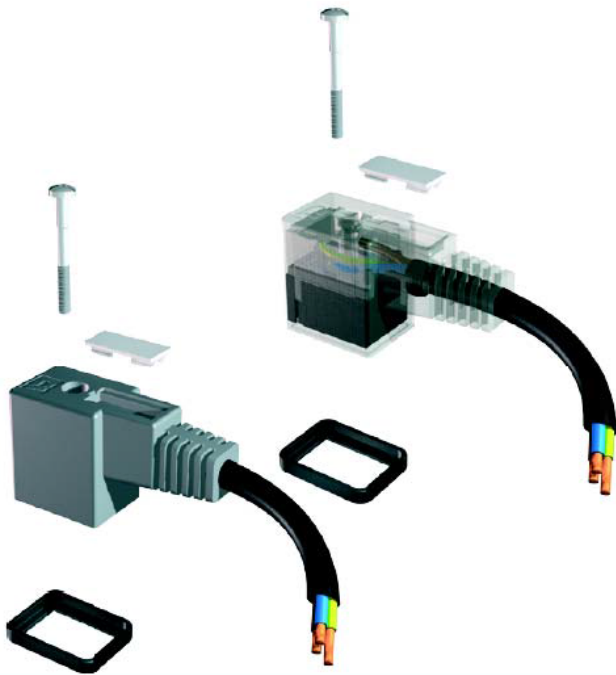
1= 6h, for cable 5-6mm
2= 12h, for cable 5-6mm
3= 6h, for cable 6-8mm
4= 12h, for cable 6-8mm
5= 6h, for cable 8-10mm
6= 12h, for cable 8-10mm

Number of poles and colour of housing

1= 2+ground, black
2= 2+ground, grey
3= 2+ground, transparent without circuit or with circuit with components soldered directly to the contact
4= 2+ground, transparent with circuit board

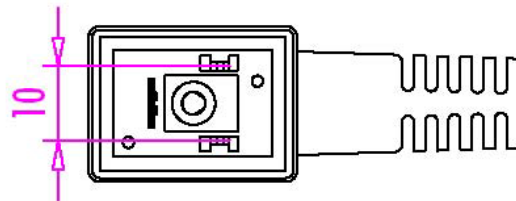
Housing version

1= One-piece housing
4= Two-piece housing



Form B acc. to EN 175301-803 (ISO 6952)

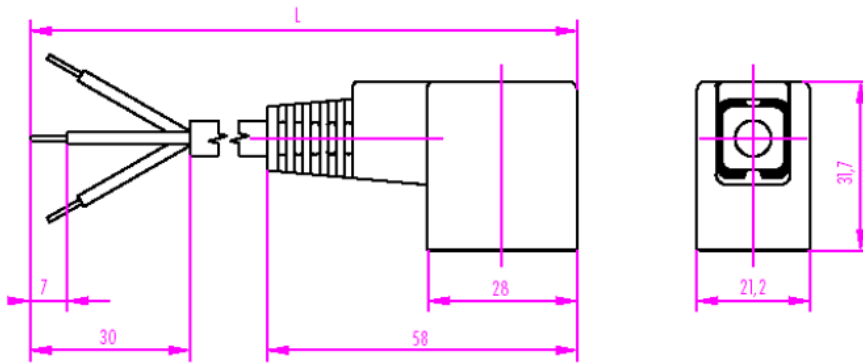
Product Code: 6-53
With Moulded Cable



Technical Data

Standard Product Features:	Special Versions as Options:
Colour of moulding black for versions without LED Colour of moulding transparent for versions with LED	— —
Cable length 2 m	Cable length 0 - 10 m, over 10 m on request
Cable type: H05VV-F3G0.75mm ²	Heat- and/or oil resistant cable Other cable types on request
Colours of flying leads: 1=brown, 2=blue, ground=yellow/green	Depending on cable type
Version of loose cable end: flying leads with uninsulated sleeve	On request
Ground position 12h	Ground position 6h
Central-fixing screw in St 4.8 zinc-plated	Central-fixing screw in stainless steel
PreCon logo in the moulding	Without logo
Marking plate	—
Packaging unit, depending on cable length up to 2m: 100 pcs. over 2m up to 8m: 50 pcs. over 8m up to 10m: 25 pcs.	—
Loose cable end	Cable end with moulded connector, different types Connecting cable: cable end with moulded M 12x1 connector acc. to IEC 60947-5-2

Product code: 6-53
With moulded cable



Part Numbers of Standard Versions

6 - 5 3 d 2 f - 9 h i k

Standard cable length

1=Cable length 1.0m

2=Cable length 2.0m

3=Cable length 3.0m

...

9=Cable length 9.0m

0=Cable length 10.0m

Circuit version number

00: without circuit; 01-99: see page 33; above 99 on request

Gasket and central-fixing screw

0= without gasket and screw

1= without gasket with standard screw

2= NBR profile gasket, standard screw

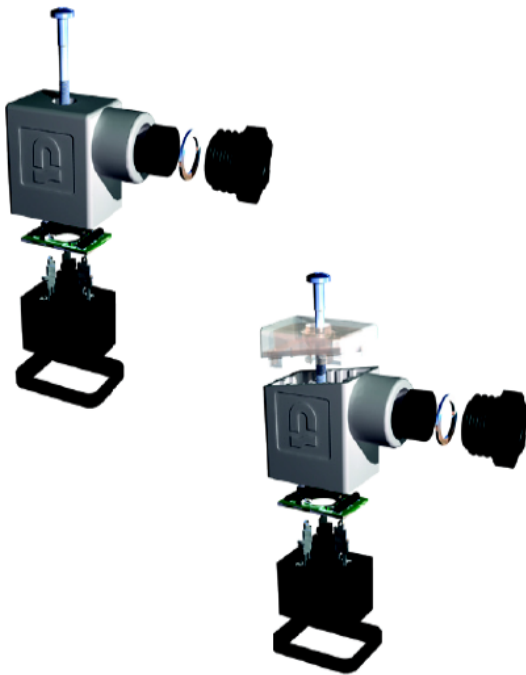
3= NBR flat gasket, standard screw

4= silicone flat gasket, standard screw

Ground position and number of poles

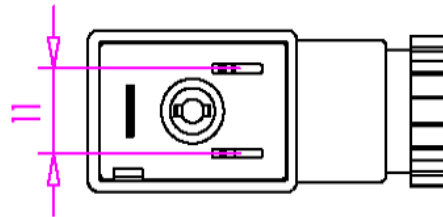
1=6h, 2+ground

2=12h, 2+ground



Industrial Type B 11mm

Product Code: 6-12, One-piece Housing
Product Code: 6-42, Two-piece Housing



Technical Data

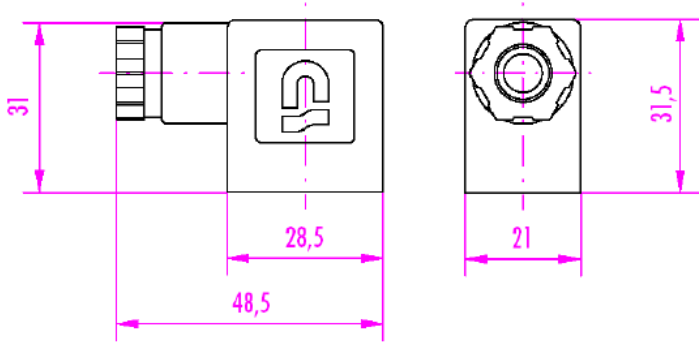
Standard Product Features:

Clamping contact without wire protecting plate
Housing with M 16x1.5 connection
Housing and terminal block in polyamide
Colour of housing black
Colour of housing grey
Colour of housing transparent
Cable gland without cable clamp
Ground position 12h
Central-fixing screw in St 4.8 zinc-plated
PreCon logo in the housing
Packaging unit 100 pcs.

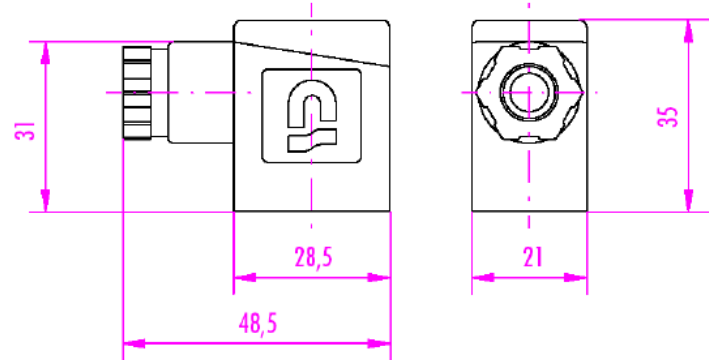
Special Versions as Options:

Clamping contact with wire protecting plate
Housing with 1/2" NPTF connection
Housing and terminal block in plastic with fire protection class V1 acc. to UL94
--
--
Colour of housing natural (milky)
Cable gland with cable clamp
Ground position 6h
Central-fixing screw in stainless steel
Customized logo on request
Single packaging

Product code: 6-12
One-piece housing



Product code: 6-42
Two-piece housing



Part Numbers of Standard Versions

6 - b 2 d e f - 2 h i k

Circuit version number

00: without circuit; 01-99: see page 33; above 99 on request

Circuit version

0= without circuit or components soldered directly to the contact
5= components on the circuit board

Gasket and central-fixing screw

0= without gasket and screw
1= without gasket with standard screw
2= NBR profile gasket, standard screw
3= NBR flat gasket, standard screw
4= silicone flat gasket, standard screw

Ground position and connection

1= 6h, for cable 5-6mm
2= 12h, for cable 5-6mm
3= 6h, for cable 6-8mm
4= 12h, for cable 6-8mm
5= 6h, for cable 8-10mm
6= 12h, for cable 8-10mm

Number of poles and colour of housing

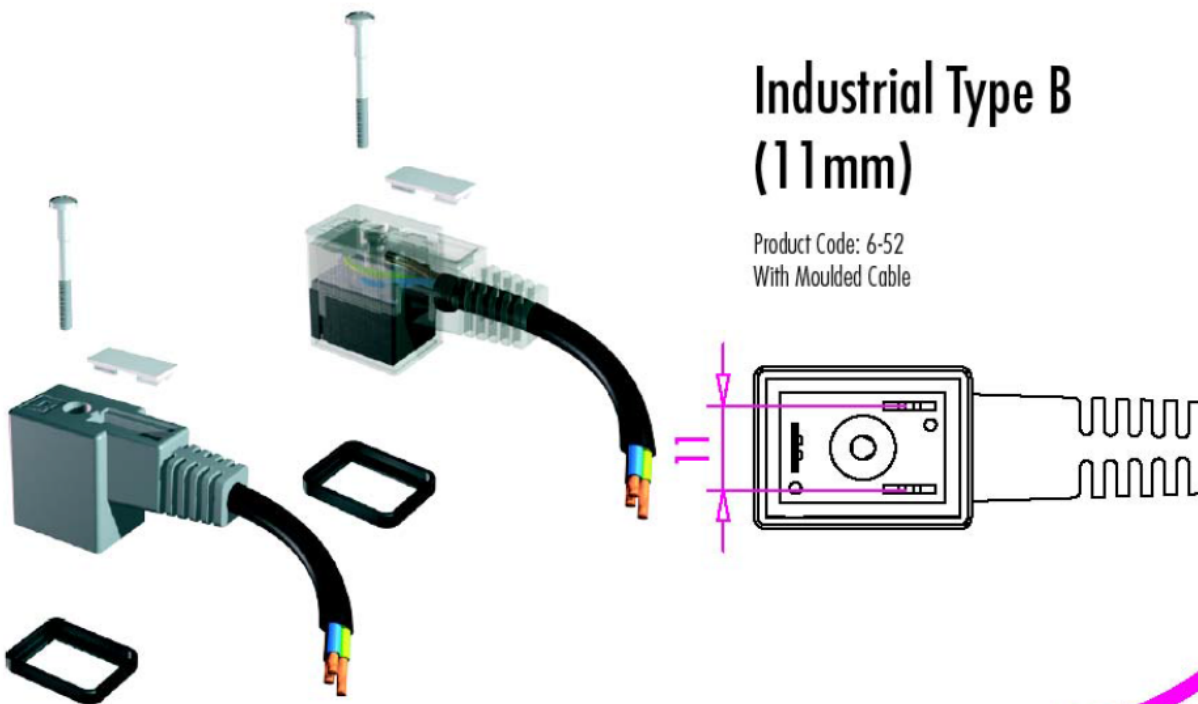
1= 2+ground, black
2= 2+ground, grey
3= 2+ground, transparent without circuit or with circuit with components soldered directly to the contact
4= 2+ground, transparent with circuit board

Housing version

1= One-piece housing
4= Two-piece housing

Industrial Type B (11mm)

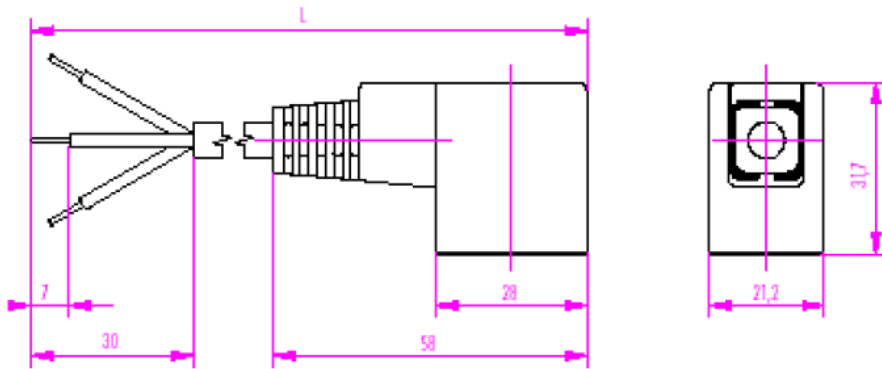
Product Code: 6-52
With Moulded Cable



Technical Data

Standard Product Features:	Special Versions as Options:
Colour of moulding black for versions without LED Colour of moulding transparent for versions with LED	— —
Cable length 2 m	Cable length 0 - 10 m, over 10 m on request
Cable type: H05VV-F3G0.75mm ²	Heat and/or oil resistant cable Other cable types on request
Colours of flying leads: 1=brown, 2=blue, ground=yellow/green	Depending on cable type
Version of loose cable end: flying leads with uninsulated sleeve	On request
Ground position 12h	Ground position 6h
Central-fixing screw in St 4.8 zinc-plated	Central-fixing screw in stainless steel
PreCon logo in the moulding	Without logo
Marking plate	—
Packaging unit, depending on cable length up to 2m: 100 pcs. over 2m up to 8m: 50 pcs. over 8m up to 10m: 25 pcs.	—
Loose cable end	Cable end with moulded connector, different types Connecting cable: cable end with moulded M 12x1 connector acc. to IEC 60947-5-2

Product code: 6-52
With moulded cable



Part Numbers of Standard Versions

6 - 5 2 d 2 f - 9 h i k

Standard cable length
1=Cable length 1.0m
2=Cable length 2.0m
3=Cable length 3.0m
...
9=Cable length 9.0m
0=Cable length 10.0m

Circuit version number
00: without circuit; 01-99: see page 33; above 99 on request

Gasket and central-fixing screw
0= without gasket and screw
1= without gasket with standard screw
2= NBR profile gasket, standard screw
3= NBR flat gasket, standard screw
4= silicone flat gasket, standard screw

Ground position and number of poles
1=6h, 2+ground
2=12h, 2+ground