

Test Gauges, Solid Front Model 1082

According ASME B40.1

Nominal size: 4 1/2, 6 and 8 1/2 inch

Accuracy: Grade 3A (0,25 %)

Features

- External adjustable dial facilitates compensation for tare or zero adjustment (standard version)
- Temperature compensated movement that significantly reduces temperature error
- MicroSpan™ adjustment for ease in span calibration
- Long life bourdon tube
- Hydraulically staked movement provides improved stability
- Improved dial and pointer results in excellent readability
- Supplied with solid front case for safety
- Overload protection 130 %
- Measuring system brass or Monel

Ranges

-1 ... 0 bar up to 0 ... 700 bar

-30 in. Hg ... 0 psi up to 0 ... 10.000 psi

Applications

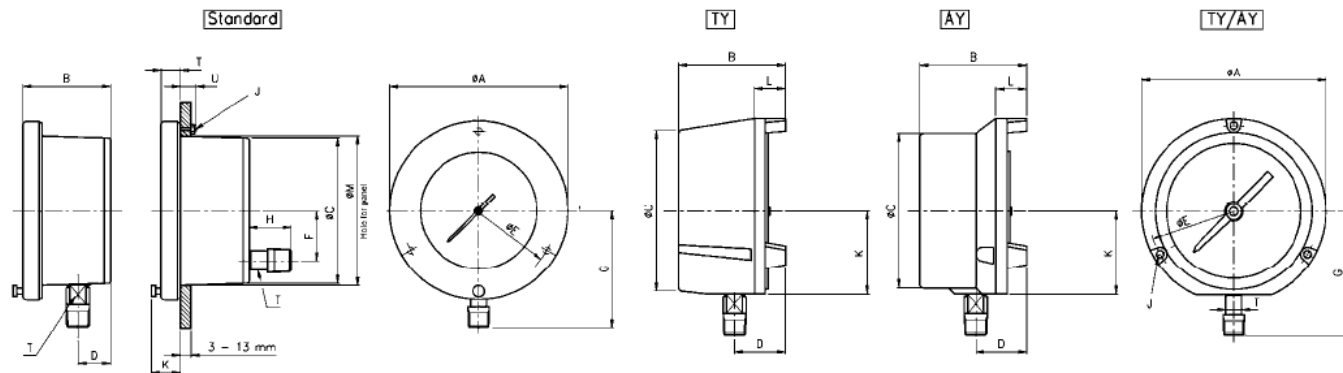
Test benches

Calibration laboratories

Maintenance repair shops



Technical specification	1082															
Case type	Standard			TY	AY											
Dial size in inch	4 1/2	6	8 1/2	4 1/2	4 1/2	6										
Construction housing	Solid front safety pattern with blow out at the back															
ring	Hinged			Threaded												
Zero adjustment	At the front, adjustable dial															
Measuring principle	Bourdon tube															
Range in bar	1	1,6	2,5	4	6	10	16	25	40	60	100	160	250	400	600	700
Overpressure limit	130 % F.S., short time															
Pressure type	Gauge, vacuum and compound															
Process connection	1/4 NPT male (standard), 1/2 NPT male according ANSI/ASME B1.20.1 9/16-18 UNF-2B Aminco G 1/4 B male, G 1/2 B male, M20x1,5 male, metric connections with adapter Others on request															
Connection location	Lower, back			Lower	Lower											
Material	Brass (max. 25 bar) and Monel															
Pressure connection	Phosphor bronze (max. 25 bar) and Monel															
Tube	Aluminum ¹⁾			Phenolic	Aluminum ¹⁾											
Case	Steel enamel coated			Polypropylene												
Ring	¹⁾ Black epoxy coated															
Window	Instrument glass, optional laminated safety glass or acrylic															
Dial	Aluminum, black markings on white background, with polished mirror band															
Pointer	Aluminum, black, red painted knife edge															
Movement	Stainless steel 400 series, bimetallic temperature compensated, with micro-span adjustment and under-load/overload stops															
Accuracy	Grade 3A (0,25 % F.S.)															
Permissible	-25 ... 60 °C															
Ambient temperature	Max. 100 °C															
Medium temperature	-40 ... 65 °C															
Storage temperature	Automatic compensated, max. 0,09 % / 10 K															
Effect	IP54															
Protection according EN 60 529/IEC 529	Filling not available															
Filling liquids	Stem, optional flush			Stem, surface, flush with 1278M ring	Stem, surface											
Mounting	1,1	1,4	2	1,1	1,1	1,4										
Weight in kg	Valves															
Accessories, options																



Type	Dial	A	B	C	D	E	F	G	H		J	K	L	M	T	U
									Max	Min						
Standard	4 1/2"	155	73	121	30	137	41	100	35	#10-24	34	-	124	165	16	19
	6"	192	73	121	30	178	41	114								
	8 1/2"	257	73	121	30	244	41	152								
TY	4 1/2"	149	86	129	-	137	-	94	-	6	67	24	-	16	-	-
AY	4 1/2"	148	87	124	41	137	-	94	-	6	67	27	-	16	-	-
	6"	194	89	162	41	178	-	113	-	6	67	27	-	16	-	-

Rev. F

Temperature compensation reduces temperature-caused errors to less than 0,09 % / 10 K temperature change.



The Micro-Span™ adjustment permits precise adjustments to achieve zero error in calibration at zero and 100 % of scale

Order information

Size	System material	Execution	Process connection	Connection orientation	Range	Engineering units	Case type	Options
(45) 4 1/2 inch (115 mm)	(A) Brass socket, phosphor bronze tube (max. 25 bar)	(S) Solid front IP54	(04) 1/2 NPT male	(L) Lower	-1/ 0	(BAR)	(=) Standard no filling	(NH) Tagging wired
			(02) 1/4 NPT male ¹⁾	(B) Back ¹⁾	-1/ 1,5			
(60) 6 inch (150 mm) ¹⁾	(P) Monel 400 socket, K-Monel tube		(09) 9/16-18 UNF-2B Aminco		-1/ 3		(AY) Aluminum threaded polypropylene ring (only 4 1/2" and 6" dial with lower connection)	(6B) Oxygen cleaned
					-1/ 5			
(85) 8 1/2 inch (215 mm) ²⁾					-1/ 9		(TY) Phenolic threaded polypropylene ring (only 4 1/2" dial with lower connection)	(PD) Acrylic glass
					0/ 1			
					0/ 1,6			
					0/ 2,5			
					0/ 4			
					0/ 6			
					0/ 10			
					0/ 16			
					0/ 25			
					0/ 40			
					0/ 60			(SG) Safety glass
					0/ 100			
					0/ 160			
					0/ 250			
					0/ 400			
					0/ 600			(1278M) Flush mounted ring for 4 1/2" and 6" case type TY and AY
					0/ 700			
					psi and others on request			

¹⁾ not for case type TY

²⁾ only for standard

Order example

Size	Type	System material	Execution	Process connection	Connection orientation	Range	Engineering unit	Case type	Options
45	1082	P	S	02	L	0/16	BAR	=	NH