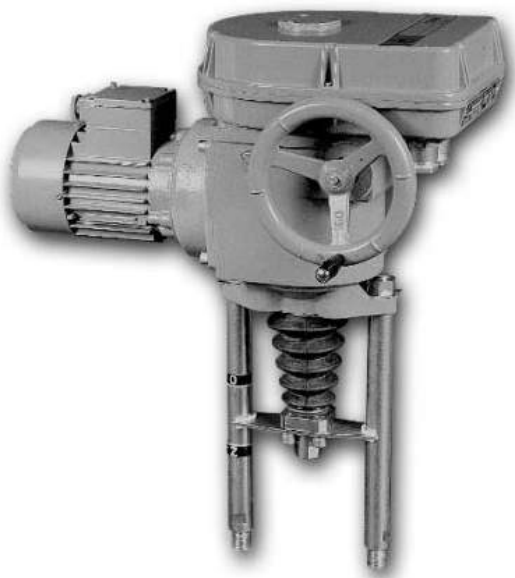


## Electric Linear Actuator MT



Type number:	<b>52 400</b>	
Switching-off thrust:	<b>4800 to 36000</b>	[N]
Operating speed:	<b>32 to 180</b>	[mm/min]
Operating stroke:	<b>10 to 100</b>	[mm]
Ambient temperature:	<b>-25 (-40) to +55</b>	[°C]
Protection enclosure:	<b>IP 55, IP 67</b>	
Operating position:	<b>the motor axis should be in horizontal position +/-15°</b>	
Weight:	<b>30 to 32</b>	[kg]

### Standard Specification

- Supply voltage 230 V AC, 3x400 V AC
- Terminal board connection
- 2 torque switches
- 2 position switches
- Positioner 0/4 - 20 mA, 0 - 10 V
- Space heater with thermal switch
- Mechanical connection - pillar
- Mechanical position indicator
- Torque switches blocking in limit position
- Manual control
- Protection code IP 55

### Options

- Supply voltage 220 V AC, 3x380 V AC
- Connector connection
- 2 additional position switches
- Reverse contactors
- Tandem switches
- Transmitter:- potentiometer: 1x100 Ω, 1x2000 Ω, 2x100 Ω, 2x2000 Ω- electronic position transmitter 0/4 - 20 mA, (passive/active)
- - CPT (capacitive) 4 - 20 mA, (passive/active)Protection of the motor against overheating
- Mechanical connection - flange
- Local control - after consulting with producer