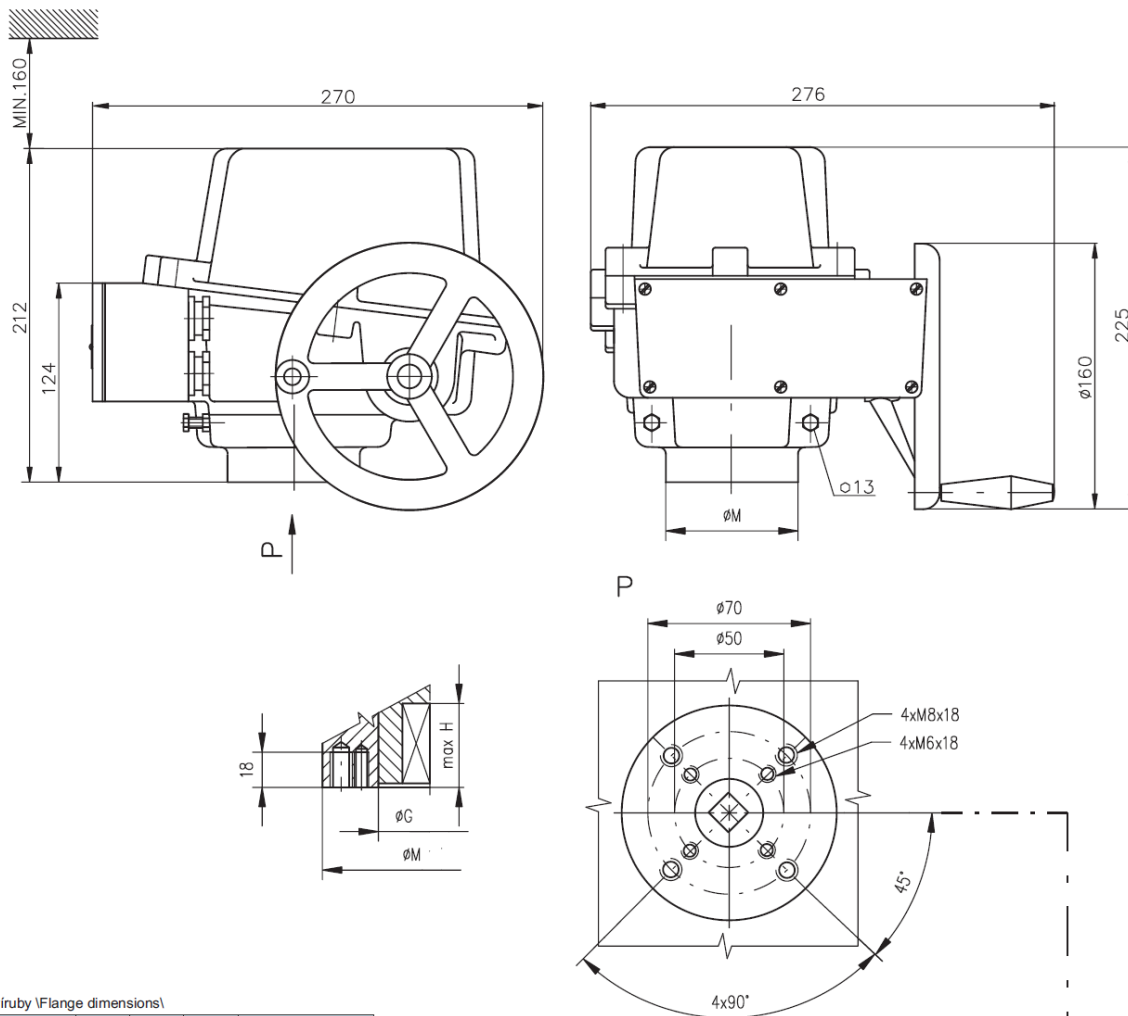


Dimensions — Electric Part-Turn Actuator SP 1-EX

Model: SP 1-Ex



Rozmery príruby (Flange dimensions)

Type	G	H	M	Flange Size
SP 1-Ex	32	32	82	F05/F07

Coupling Shape													
D-xx (Axx)			L-xx (Bxx)			H-xx (Cxx)			V-xx (D01 - D09)				
ISO	Regada	Dimension	ISO	Regada	Dimension	ISO	Regada	Dimension	ISO	Regada	Dimension		
D-xx	Axx	U	L-xx	Bxx	U	H-xx	Cxx	U V	V-xx	Dxx	W	Z	X
D-14	A01	14	L-14	B01	14	H-14	C01	14 22	V-20	D01	20.0	22.5	6.0
D-17	A02	17	L-17	B02	17	H-11	C02	11 18	V-17	D04	17.0	19.5	6.0
D-16	A06	16	L-16	B06	16	H-8	C03	8 13					
						H-13	C05	13 19					
						H-10	C10	10 16					