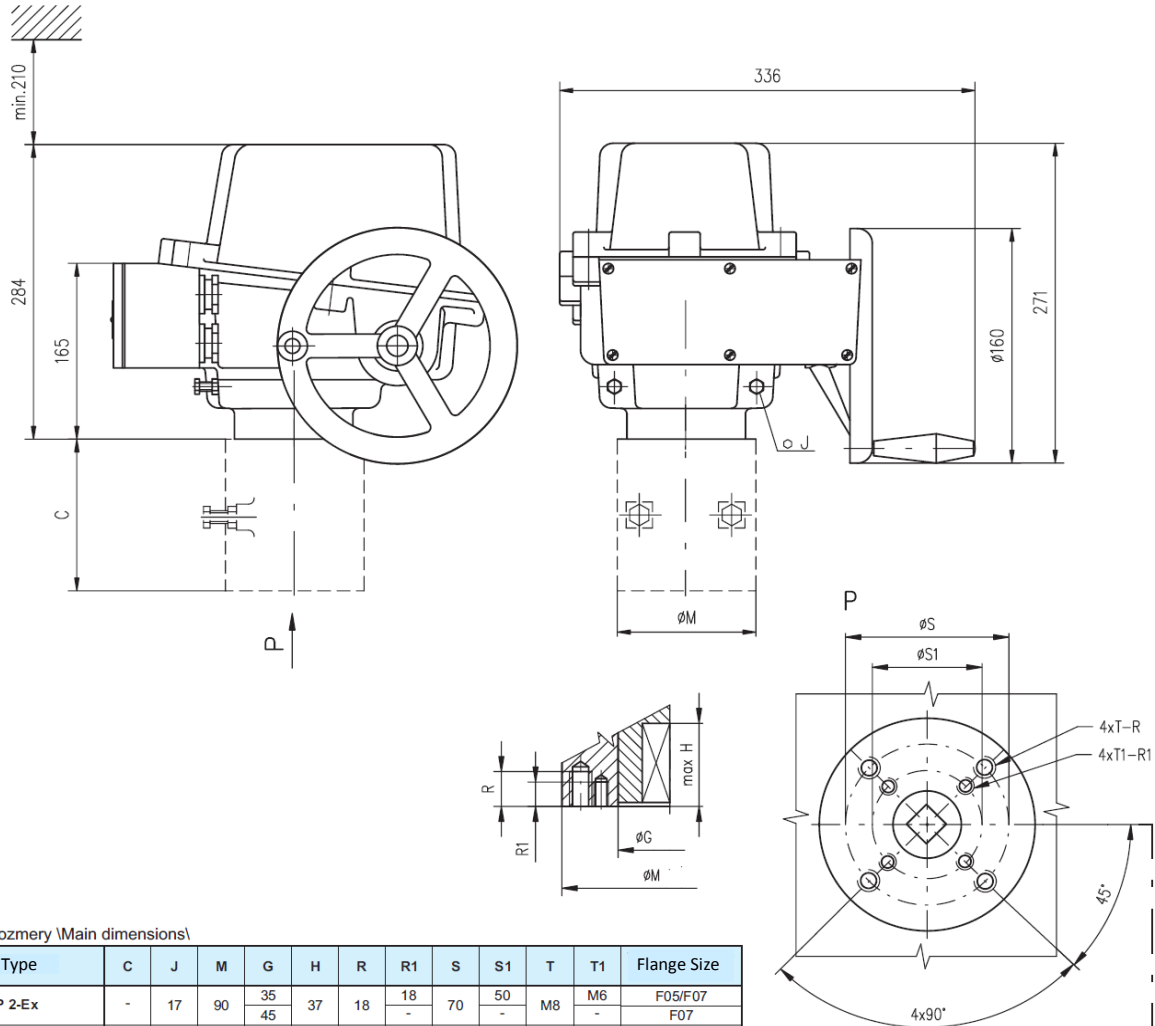


## Dimensions — Electric Part-Turn Actuator

### SP 2-Ex, SP 2.3-Ex, SP 2.4-Ex

Models: SP 2-Ex, SP 2.3-Ex, SP 2.4-Ex



Hlavné rozmery (Main dimensions)

Type	C	J	M	G	H	R	R1	S	S1	T	T1	Flange Size
SP 2-Ex	-	17	90	35	37	18	18	70	50	M8	M6	F05/F07
				45								F07
SP 2.3-Ex	112	19	125	45	56	20	-	102	70	M10	M8	F07/F10
				55								F10
SP 2.4-Ex	127	22	150	65	71	25	25	125	102	M12	M10	F10/F12

Coupling Shape														
D-xx (Axx)			L-xx (Bxx)			H-xx (Cxx)			V-xx (Dxx)					
ISO	Regada	Dimension	ISO	Regada	Dimension	ISO	Regada	Dimension	ISO	Regada	Dimension			
D-xx	Axx	U	L-xx	Bxx	U	H-xx	Cxx	U	V	V-xx	Dxx	W	Z	X
D-14	A01	14	L-14	B01	14	H-14	C01	14	22	V-22	D02	22.0	24.5	6.0
D-17	A02	17	L-17	B02	17	H-11	C02	11	18	V-28	D05	28.0	30.9	8.0
D-22	A03	22	L-22	B03	22	H-8	C03	8	13	V-42	D06	42.0	45.1	12.0
D-27	A04	27	L-27	B04	27	H-17	C04	17	25	V-50	D08	50.0	53.5	14.0
						H-13	C05	13	19					
						H-22	C06	22	32					
						H-16	C07	16	22					
						H-27	C08	27	48					
						H-19	C09							