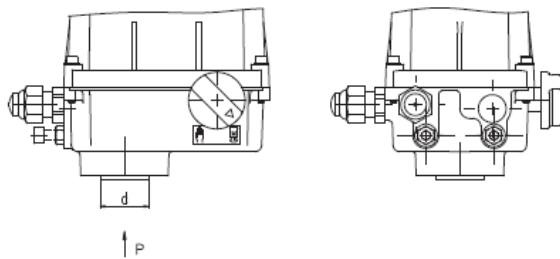
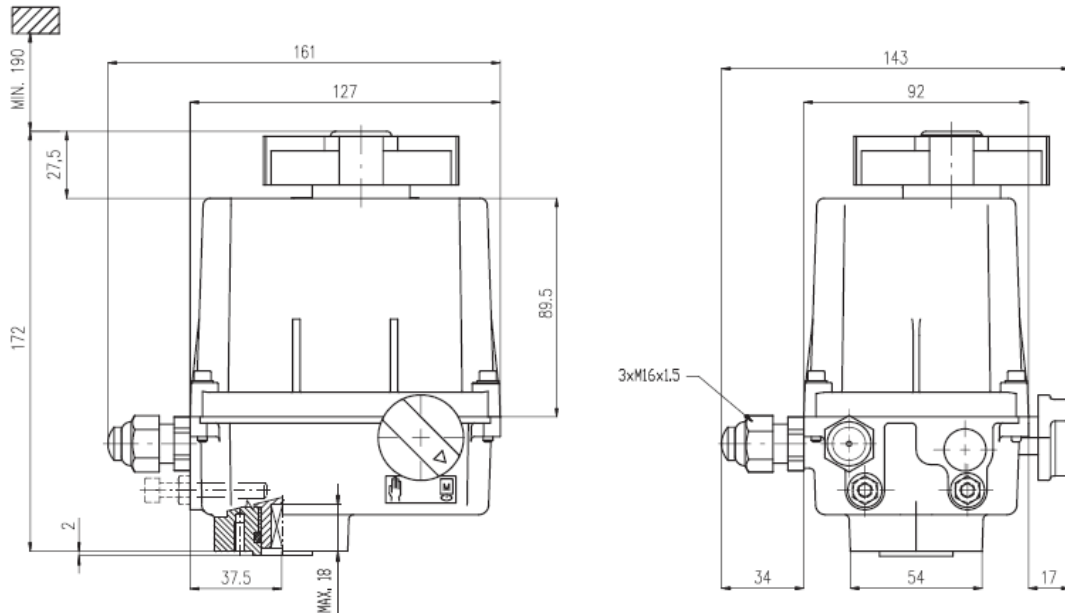


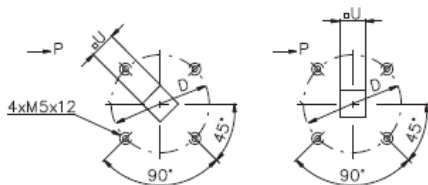
## Dimensions — Electric Part-Turn Actuator SPR 0PA

Model: SPR 0PA

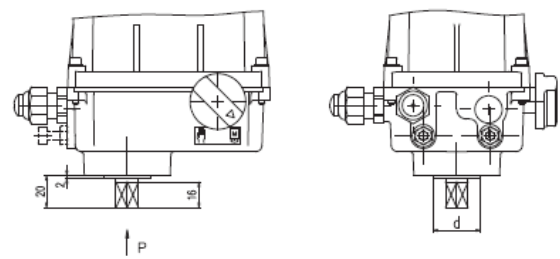


TVAR A  
(SHAPE A)

TVAR B  
(SHAPE B)

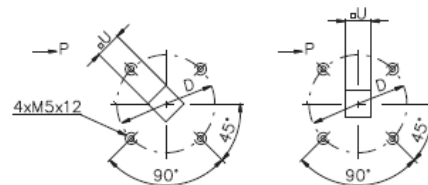


F 03	Ø36	Ø25	9
F 04	Ø42	Ø30	11
Priruba (Flange) ISO 5211	D	d	U



TVAR A  
(SHAPE A)

TVAR B  
(SHAPE B)



F 03	Ø36	Ø25
F 04	Ø42	Ø30
Priruba (Flange) ISO 5211	D	d