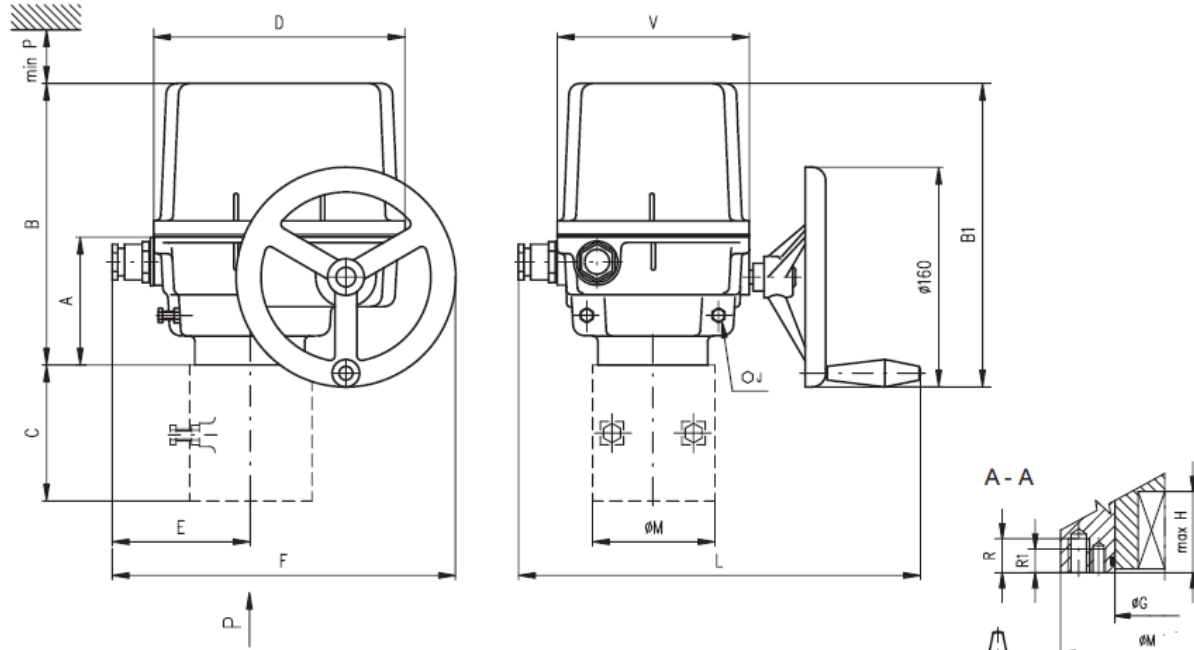


Dimensions — Electric Part-Turn Actuator SPR 2.4PA

Model: SPR 2.4PA

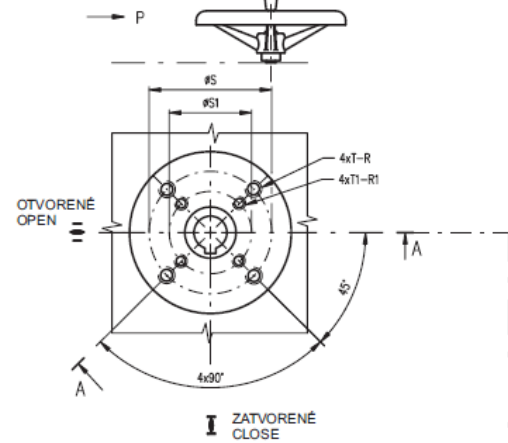


Hlavné rozmery (Main dimensions)

Typ (Type)	A	B	B1	C	D	E	F	J	L	M	P	V	
SPR 1PA	102	223	239	-	183	93	243	13	280	90	160	140	
SPR 2PA	117	284	291	-	112	232	119	294	17	90	210	190	
SPR 2.3PA									19	330			125
SPR 2.4PA									22	150			

Rozmery príruby (Flange dimensions)

Typ (Type)	G	H	R	R1	S	S1	T	T1	Veľkosť príruby (Flange size)
SPR 1PA	40	37	16	12	70	50	M8	M6	F07/F05
SPR 2PA	40	49	16	12	70	50	M8	M6	F07/F05
SPR 2.3PA	55	56	20	16	102	70	M10	M8	F10/F07
SPR 2.4PA	65	71	24	20	125	102	M12	M10	F12/F10



Tvar pripojovacieho diela (Coupling shape)														
D-xx (Axx)			L-xx (Bxx)			H-xx (Cxx)			V-xx (D01 - D09)			V-30 (D10)		
ISO	Regada	Rozmer (Dimension)	ISO	Regada	Rozmer (Dimension)	ISO	Regada	Rozmer (Dimension)	ISO	Regada	Rozmer (Dimension)			
D-xx	Axx	U	L-xx	Bxx	U	H-xx	Cxx	U	V	V-xx	Dxx	W	Z	X
D-14	A01	14	L-14	B01	14	H-14	C01	14	22	V-20	D01	20.0	22.5	6.0
D-17	A02	17	L-17	B02	17	H-11	C02	11	18	V-22	D02	22.0	24.5	6.0
D-22	A03	22	L-22	B03	22	H-8	C03	8	13	V-32.2	D03	32.2	35	6.5
D-27	A04	27	L-27	B04	27	H-17	C04	17	25	V-17	D04	17.0	19.5	6.0
D-11	A05	11	L-11	B05	11	H-13	C05	13	19	V-28	D05	28.0	30.9	8.0
D-16	A06	16	L-16	B06	16	H-22	C06	22	32	V-42	D06	42.0	45.1	12.0
						H-16	C07	16	22	V-45.4	D07	45.4	48.8	10.0
						H-27	C08	27	48	V-50	D08	50.0	53.5	14.0
						H-19	C09	19	28	V-18	D09	18.0	20.5	6.0
						H-10	C10	10	16	V-30	D10	30.0	32.5	8.0