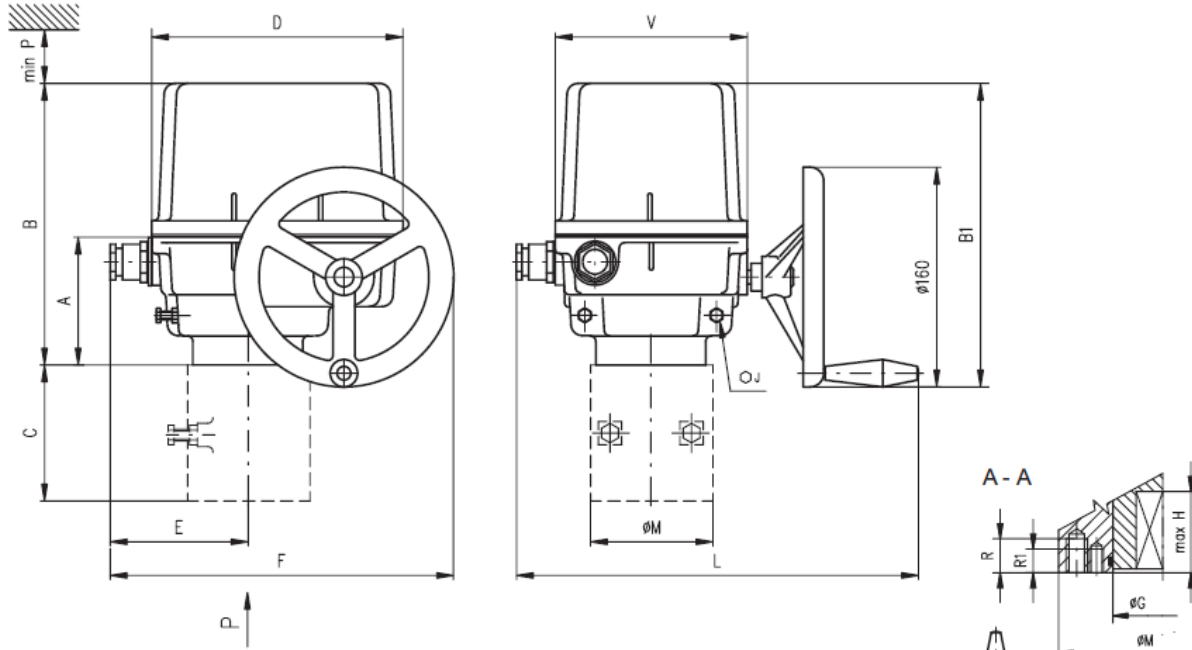


## Dimensions — Electric Part-Turn Actuator SPR 2PA

**Model: SPR 2PA**

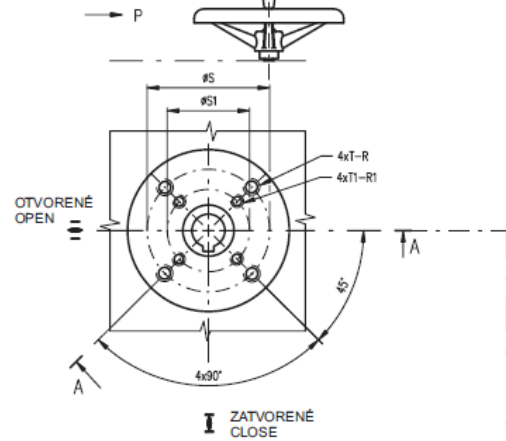


Hlavné rozmery (Main dimensions)

Typ (Type)	A	B	B1	C	D	E	F	J	L	M	P	V
SPR 1PA	102	223	239	-	183	93	243	13	280	90	160	140
SPR 2PA								17		90		
SPR 2.3PA	117	284	291	112	232	119	294	19	330	125	210	190
SPR 2.4PA				127				22		150		

Rozmery príruby (Flange dimensions)

Typ (Type)	G	H	R	R1	S	S1	T	T1	Veľkosť príruby (Flange size)
SPR 1PA	40	37	16	12	70	50	M8	M6	F07/F05
SPR 2PA	40	49	16	12	70	50	M8	M6	F07/F05
SPR 2.3PA	55	56	20	16	102	70	M10	M8	F10/F07
SPR 2.4PA	65	71	24	20	125	102	M12	M10	F12/F10



Tvar pripojovacieho diela (Coupling shape)														
D-xx (Axx)			L-xx (Bxx)			H-xx (Cxx)			V-xx (D01 - D09)			V-30 (D10)		
ISO	Regada	Rozmer (Dimension)	ISO	Regada	Rozmer (Dimension)	ISO	Regada	Rozmer (Dimension)	ISO	Regada	Rozmer (Dimension)	ISO	Regada	Rozmer (Dimension)
D-xx	Axx	U	L-xx	Bxx	U	H-xx	Cxx	U	V	V-xx	Dxx	W	Z	X
D-14	A01	14	L-14	B01	14	H-14	C01	14	22	V-20	D01	20.0	22.5	6.0
D-17	A02	17	L-17	B02	17	H-11	C02	11	18	V-22	D02	22.0	24.5	6.0
D-22	A03	22	L-22	B03	22	H-8	C03	8	13	V-32.2	D03	32.2	35	6.5
D-27	A04	27	L-27	B04	27	H-17	C04	17	25	V-17	D04	17.0	19.5	6.0
D-11	A05	11	L-11	B05	11	H-13	C05	13	19	V-28	D05	28.0	30.9	8.0
D-16	A06	16	L-16	B06	16	H-22	C06	22	32	V-42	D06	42.0	45.1	12.0
						H-16	C07	16	22	V-45.4	D07	45.4	48.8	10.0
						H-27	C08	27	48	V-50	D08	50.0	53.5	14.0
						H-19	C09	19	28	V-18	D09	18.0	20.5	6.0
						H-10	C10	10	16	V-30	D10	30.0	32.5	8.0