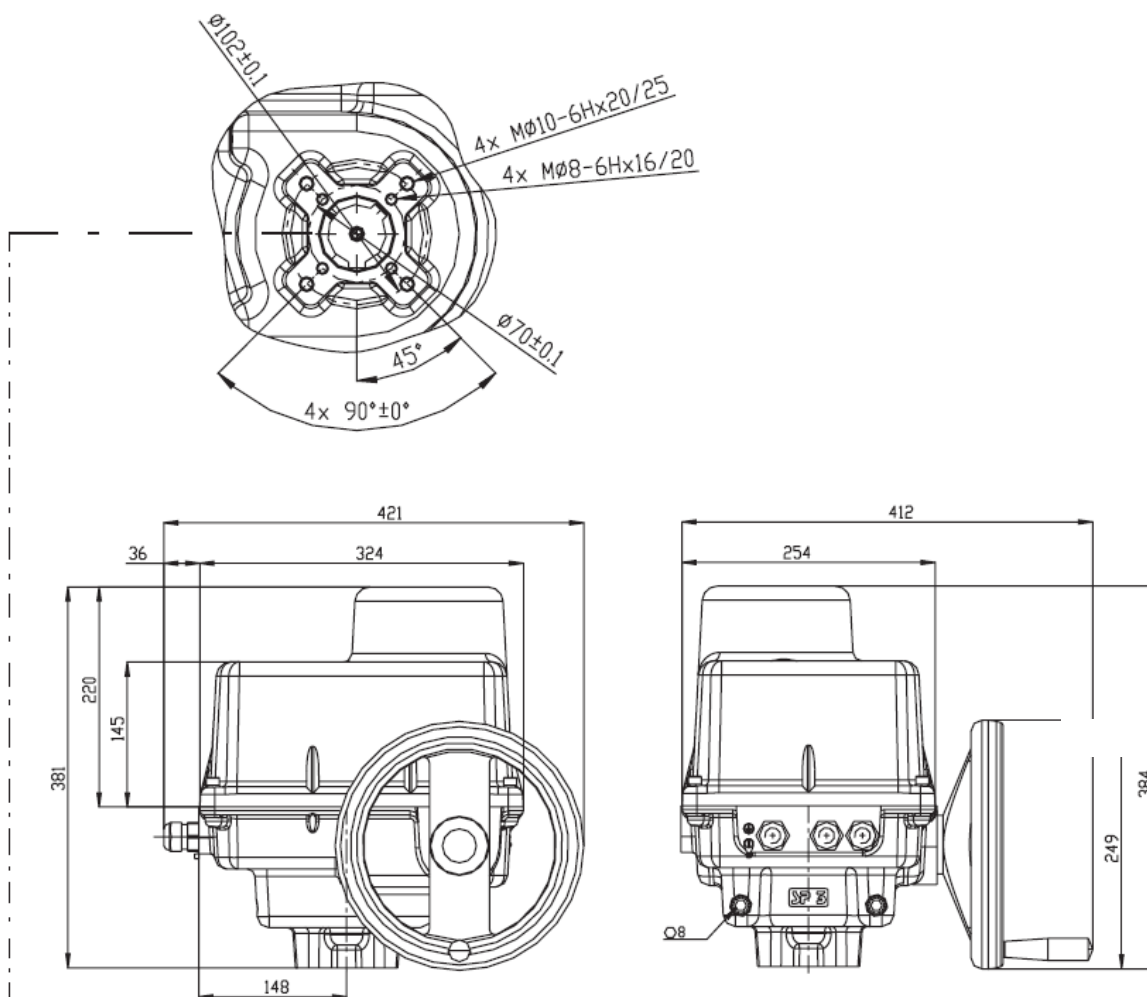


Dimensions — Electric Part-Turn Actuator SPR 3.4

Model: SPR 3.4



Tvar pripojovacieho dielca \Coupling shape\														
D-xx (Axx)			L-xx (Bxx)			H-xx (Cxx)			V-xx (Dxx)					
ISO	Regada	Rozmer (Dimension)	ISO	Regada	Rozmer (Dimension)	ISO	Regada	Rozmer (Dimension)		ISO	Regada	Rozmer (Dimension)		
D-xx	Axx	U	L-xx	Bxx	U	H-xx	Cxx	U	V	V-xx	Dxx	W	Z	X
D-17	A02	17	L-17	B02	17	H-17	C04	17	25	V-28	D05	28.0	30.9	8.0
D-22	A03	22	L-22	B03	22	H-13	C05	13	19	V-42	D06	42.0	45.1	12.0
						H-22	C06	22	32	V-45.4	D07	45.4	48.8	10.0