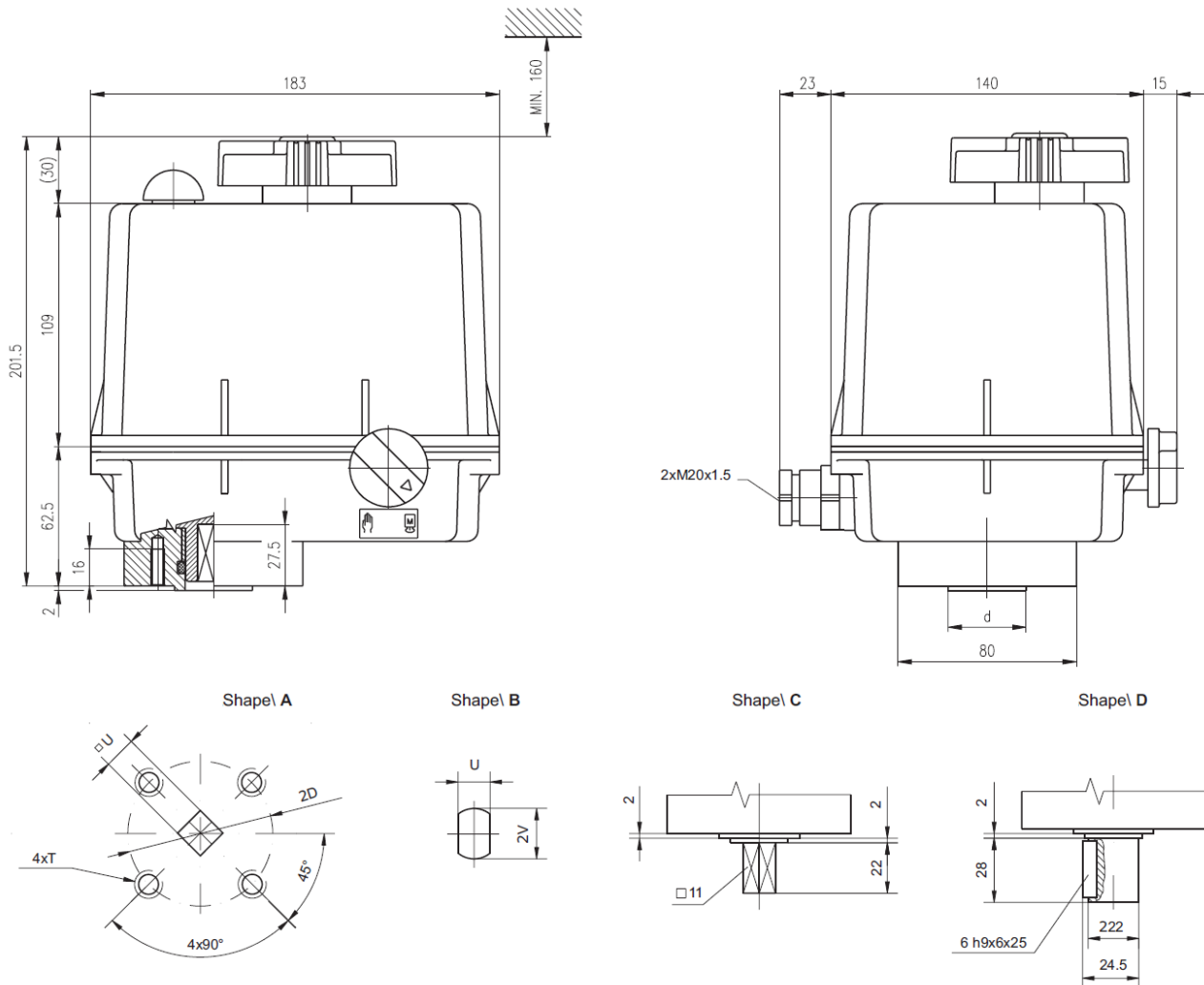


Dimensions — Electric Part-Turn Actuator SP 0.1, SPR 0.1

Model: SP 0.1, SPR 0.1



F05	50	35	M6	14	18	B
F05	50	35	M6	14	-	A, C, D
F04	42	30	M5	8	13	B
F04	42	30	M5	11	18	A, B, C, D
F03	36	25	M5	9	14	A, B, C
Flange Size	∅D	∅d	T	U	∅V	Coupling Shape