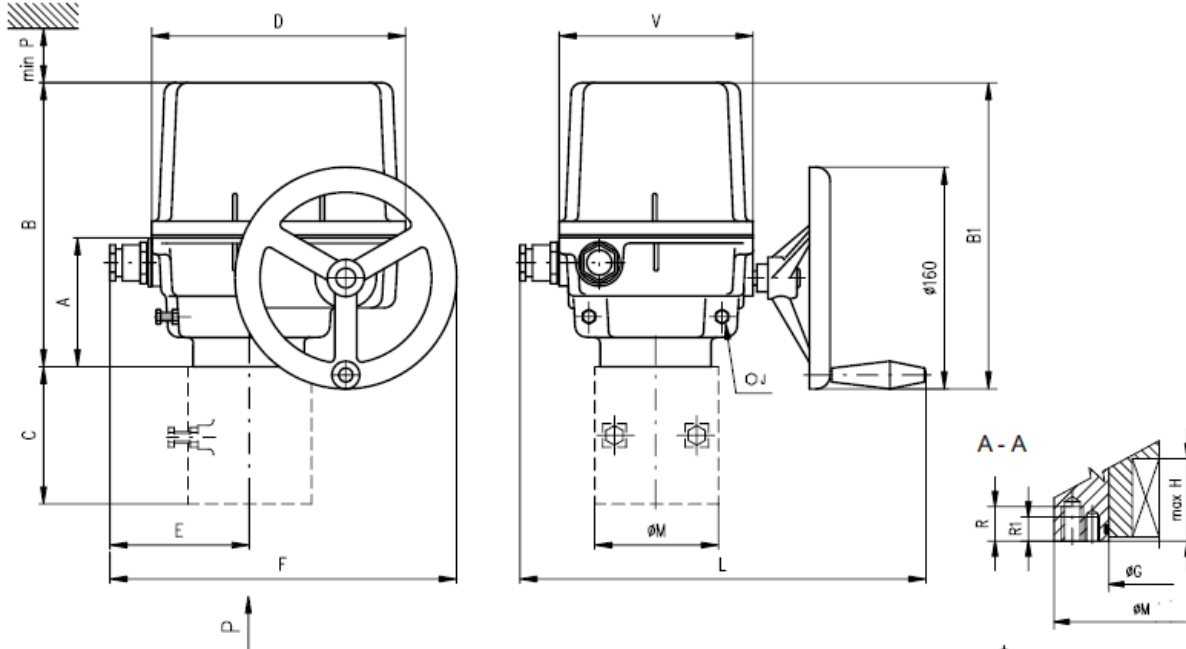


Dimensions — Electric Part-Turn Actuators

Model: SP 1, SPR 1, SP 2, SPR 2, SP 2.3, SPR 2.3, SP 2.4, SPR 2.4



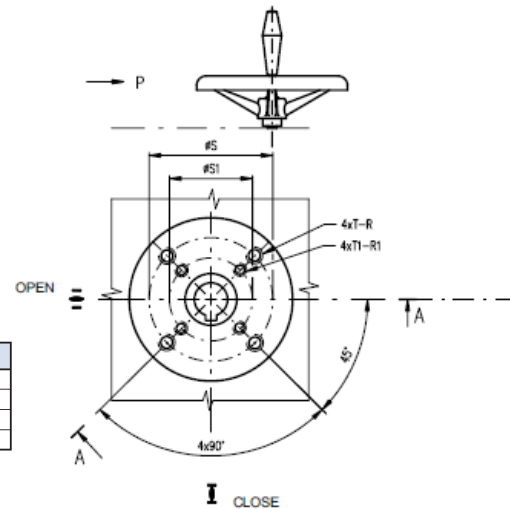
Main Dimensions

Type	A	B	B1	C	D	E	E1	F	F1	F2	J	L	M	P	V
SP 1, SPR 1	102	213	229	-	183	98 170*	169	248 320*	319	273 345*	13	276 290*	90	160	140
SP 2, SPR 2											17	326 351*	90		
SP 2.3, SPR 2.3	104	260	267	112	232	123 203*	194	297 377*	368	-	19	125	210	190	
SP 2.4, SPR 2.4				127							22	150			

*Valid for actuator with connector

Flange Dimensions

Type	G	H	R	R1	S	S1	T	T1	Flange Size
SP 1, SPR 1	40	37	16	12	70	50	M8	M6	F07/F05
SP 2, SPR 2	40	49	16	12	70	50	M8	M6	F07/F05
SP 2.3, SPR 2.3	55	56	20	16	102	70	M10	M8	F10/F07
SP 2.4, SPR 2.4	65	71	24	20	125	102	M12	M10	F12/F10



Coupling Shape

D-xx (Axx)			L-xx (Bxx)			H-xx (Cxx)			V-xx (D01 - D09)			V-30 (D10)		
ISO	Regada	Dimension	ISO	Regada	Dimension	ISO	Regada	Dimension	ISO	Regada	Dimension	ISO	Regada	Dimension
D-xx	Axx	U	L-xx	Bxx	U	H-xx	Cxx	U	V-xx	Dxx	W	Z	X	
D-14	A01	14	L-14	B01	14	H-14	C01	14	V-20	D01	20.0	22.5	6.0	
D-17	A02	17	L-17	B02	17	H-11	C02	11	V-22	D02	22.0	24.5	6.0	
D-22	A03	22	L-22	B03	22	H-8	C03	8	V-32.2	D03	32.2	35	6.5	
D-27	A04	27	L-27	B04	27	H-17	C04	17	V-17	D04	17.0	19.5	6.0	
D-11	A05	11	L-11	B05	11	H-13	C05	13	V-28	D05	28.0	30.9	8.0	
D-16	A06	16	L-16	B06	16	H-22	C06	22	V-42	D06	42.0	45.1	12.0	
						H-16	C07	16	V-45.4	D07	45.4	48.8	10.0	
						H-27	C08	27	V-50	D08	50.0	53.5	14.0	
						H-19	C09	19	V-18	D09	18.0	20.5	6.0	
						H-10	C10	10	V-30	D10	30.0	32.5	8.0	