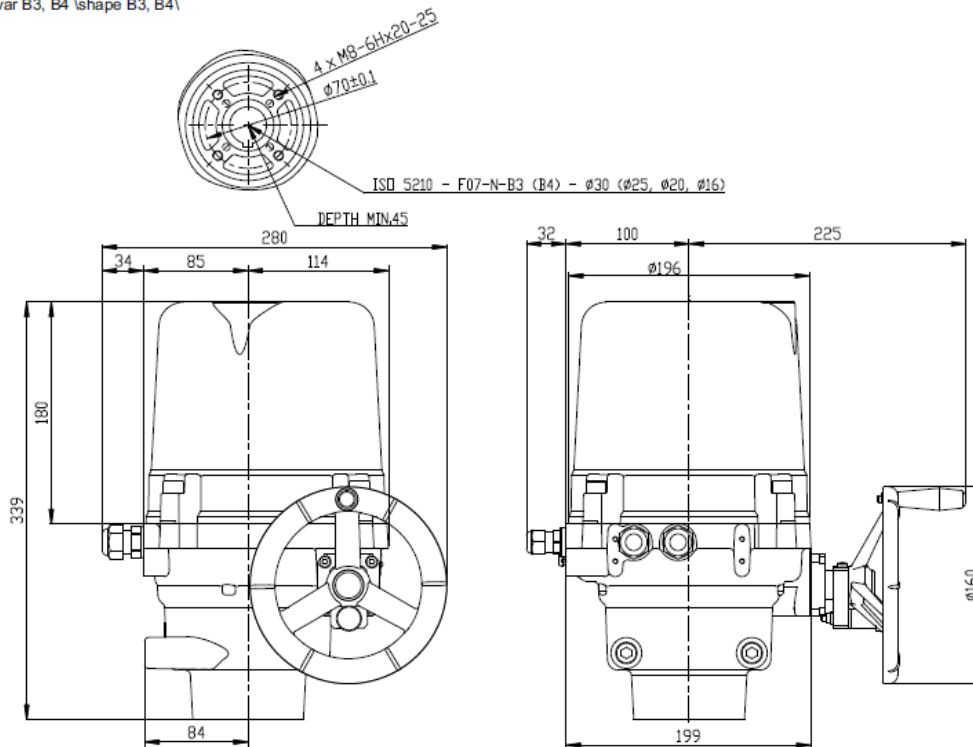


Dimensions — Electric Multi-Turn Actuator UM 1-Ex

Model: UM 1-Ex

ISO 5210, tvar B3, B4 (shape B3, B4)



DIN 3338, tvar C (shape C)

