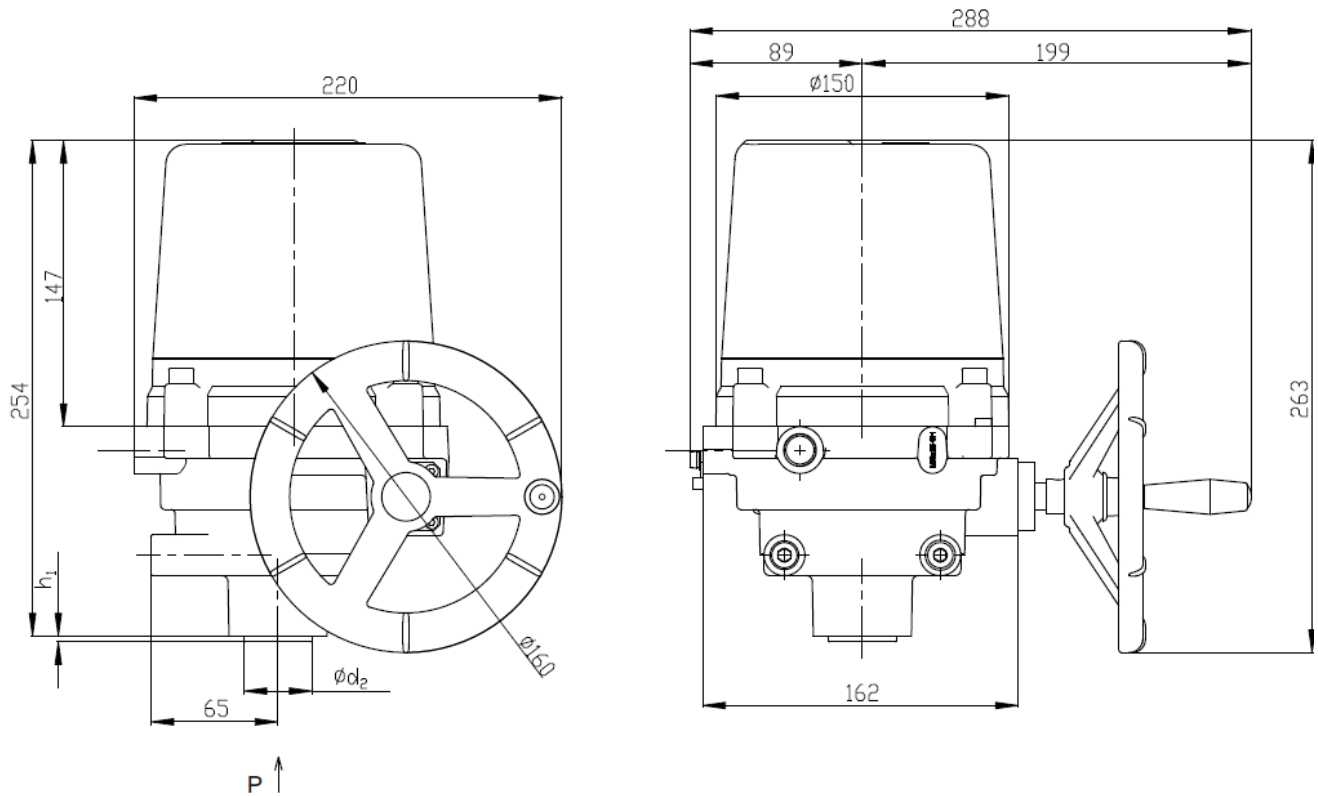
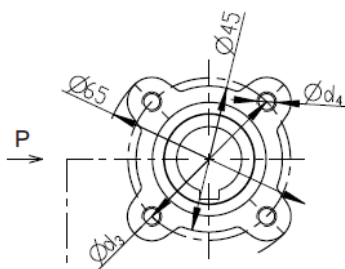


Dimensions — Electric Part-Turn Actuator UP 0-Ex

Model: UP 0-Ex



ISO 5211 - F05 - Y - - - -
 ISO 5211 - F04 - N - - - -



Flange	d ₁ f8	d ₁	d ₄	h ₁ max
F04	-	42	M5	-
F05	35	50	M6	3

Coupling Shape										
D-xx (Axx)		L-xx (Bxx)		H-xx (Cxx)		V-xx (D01 - D09)		V-30 (D10)		
ISO	Dimension	ISO	Dimension	ISO	Dimension		ISO	Dimension		
D-xx	U	L-xx	U	H-xx	U	V	V-xx	W	Z	X
D-14	14	L-14	14	H-14	14	18	V-18	18.0	20.6	6.0
D-11	11	L-11	11	H-11	11	18	V-14	14.0	16.1	5.0
D-9	9	L-9	9	H-11	11	14	V-12	12.0	13.6	4.0
				H-9	9	14				
				H-8	8	13				