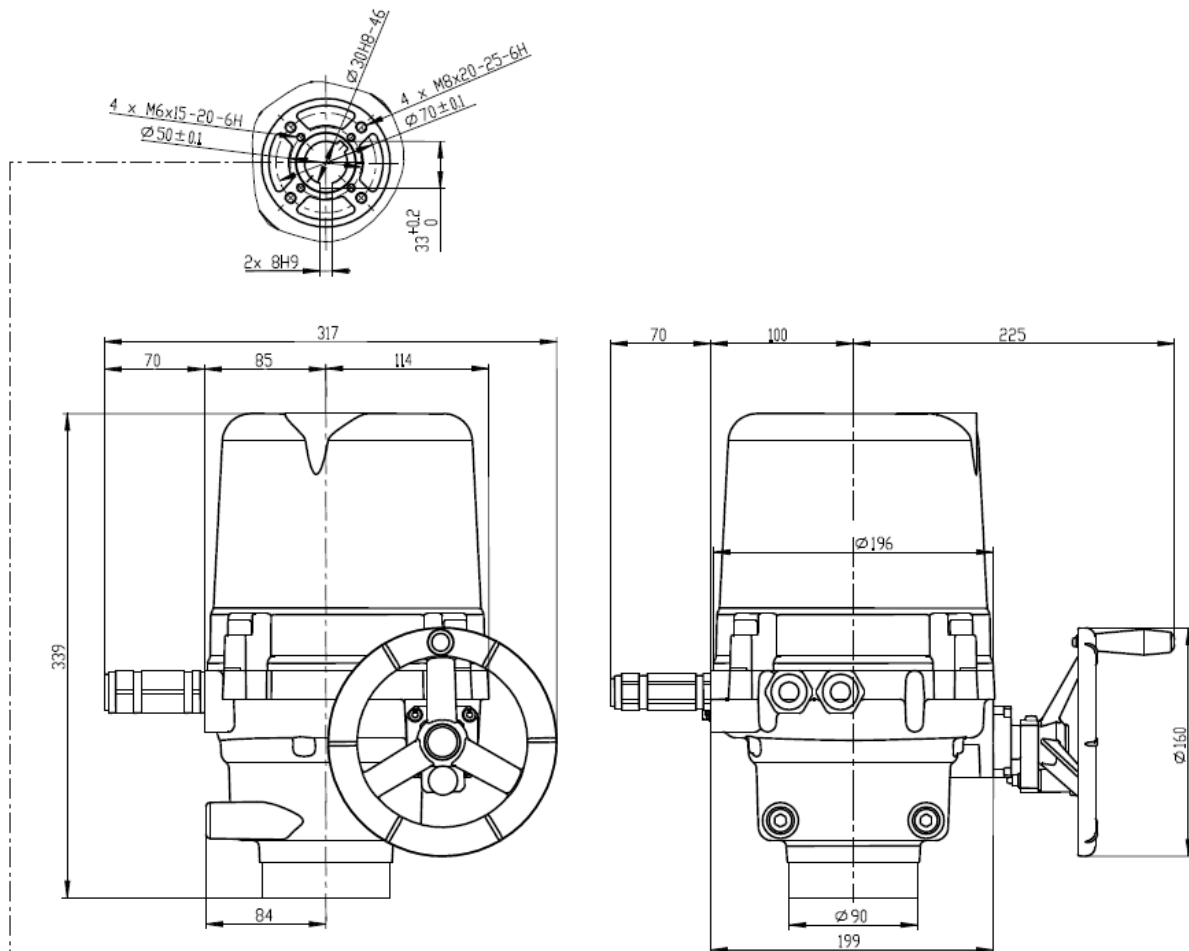


Dimensions — Electric Part-Turn Actuator UP 1-EX

Model: UP 1-Ex



Coupling Shape										
D-xx (Axx)		L-xx (Bxx)		H-xx (Cxx)		V-xx (D01 - D09)		V-30 (D10)		
ISO	Dimension	ISO	Dimension	ISO	Dimension	ISO	Dimension			
D-xx	U	L-xx	U	H-xx	U	V	V-xx	W	Z	X
D-17	17	L-22	22	H-17	17	25	V-30	30	33	8
D-16	16	L-17	17	H-14	14	22				
D-14	14	L-16	16	H-13	13	19				
D-12	12	L-12	12	H-11	11	18				
D-11	11	L-11	11	H-10	10	16				
D-9	9	L-9	9	H-8	8	13				