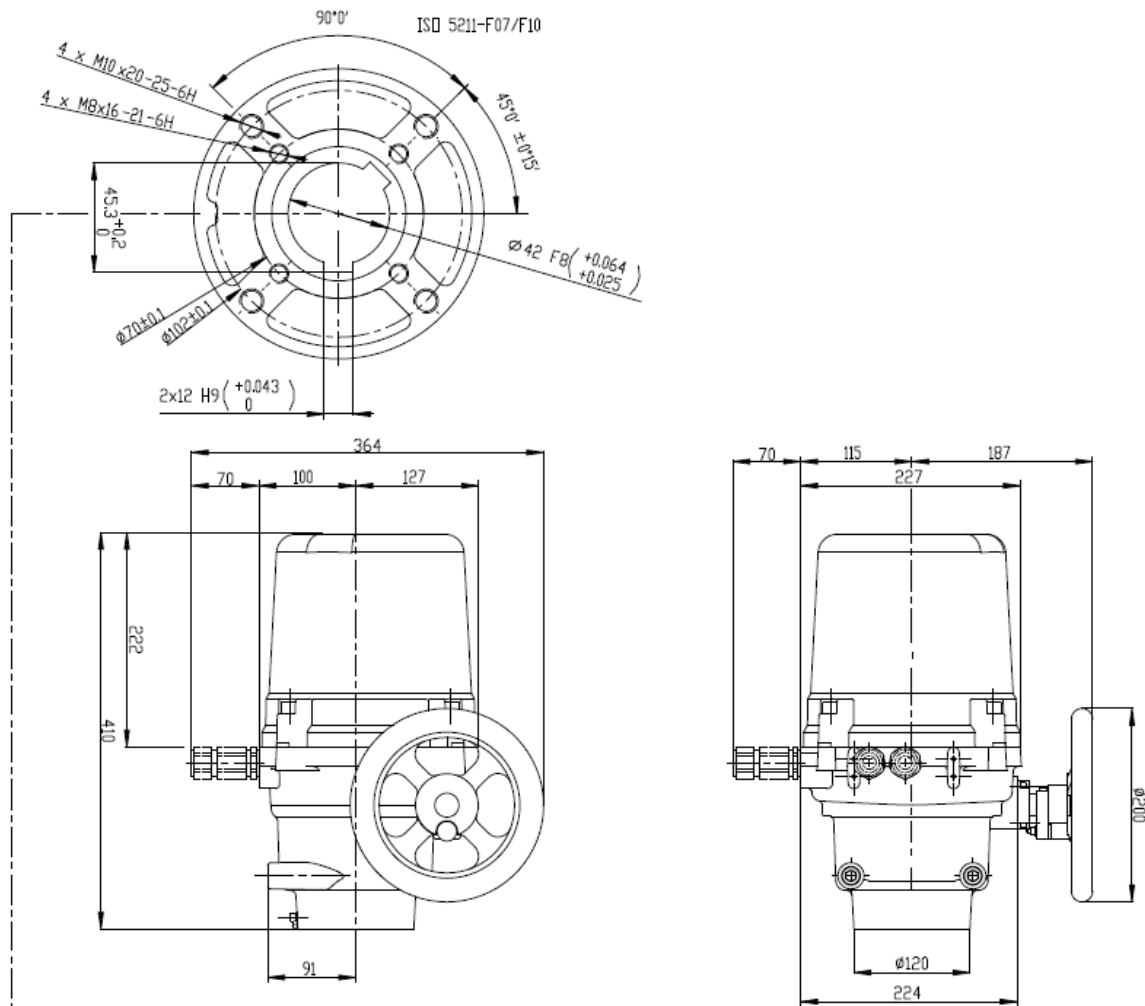


Dimensions — Electric Part-Turn Actuator UP 2-EX

Model: UP 2-Ex



Coupling Shape										
D-xx (Axx)		L-xx (Bxx)		H-xx (Cxx)		V-xx (D01 - D09)		V-30 (D10)		
ISO	Dimension	ISO	Dimension	ISO	Dimension	ISO	Dimension			
D-xx	U	L-xx	U	H-xx	U	V	V-xx	W	Z	X
D-22	22	L-22	22	H-22	22	36	V-42	42	45.3	12
D-19	19	L-19	19	H-19	19	28	V-36	36	39.3	10
D-17	17	L-17	17	H-17	17	36	V-28	28	30.9	8
D-14	14	L-14	14	H-14	14	22	V-22	22	24.9	8
				H-13	13	19	V-18	18	20.5	6
							V-17	17	19.5	6