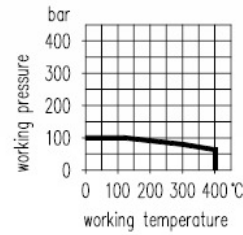
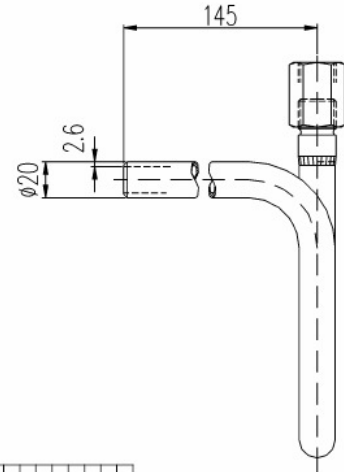
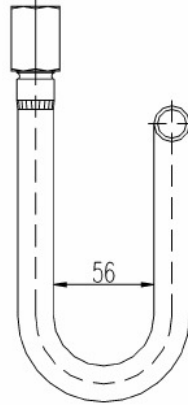
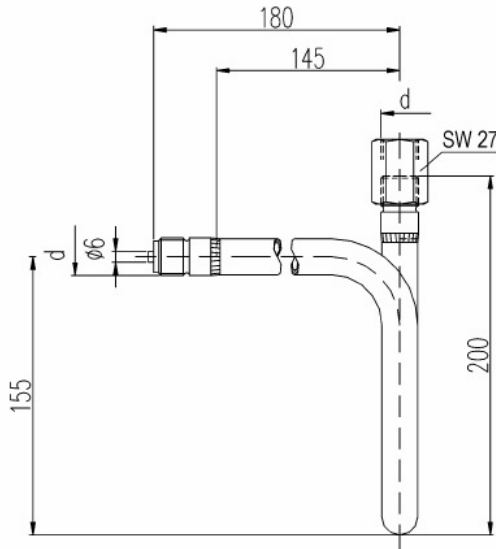


# Syphon for pressure gauges DIN 16 282

## syphons U-shaped for horizontal pressure tapping

**Design A (similar to DIN 16 282)**  
with male thread on process side

**Design B**  
with weld end on process side



| Connection thread d | Material | Part no.         |                  |
|---------------------|----------|------------------|------------------|
|                     |          | Design A         | Design B         |
| G 1/2               | Steel    | 15-SIP02-A-SC-51 | 15-SIP02-B-SC-51 |
|                     | St. st.  | 15-SIP02-A-SS-51 | 15-SIP02-B-SS-51 |
| ½ NPT               | Steel    | 04-SIP02-A-SC-50 | 04-SIP02-B-SC-50 |
|                     | St. st.  | 04-SIP02-A-SS-50 | 04-SIP02-B-SS-50 |

| Material     |                | max. working pressure | max. working temperature in front of the water syphon |
|--------------|----------------|-----------------------|---|
| Abbreviation |                | bar                   | °C  |
| 10 St        | St 35.8        | 100                   | 120   |
| 20 St        | 316Ti (1.4571) | 80                    | 300   |
|              |                | 63                    | 400   |

| Components       | Steel               | Stainless steel |
|------------------|---------------------|-----------------|
|                  | DIN-Material Number |                 |
| Tube 20 x 2,6 mm | St 35.8             | 316Ti (1.4571)  |
| Male connector   | Ck 15               | 316Ti (1.4571)  |

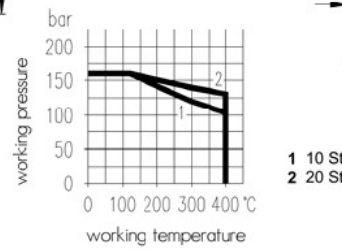
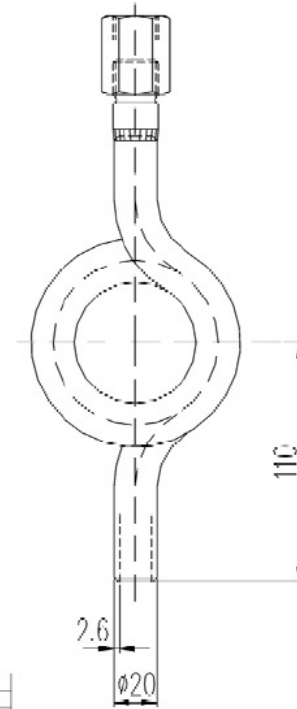
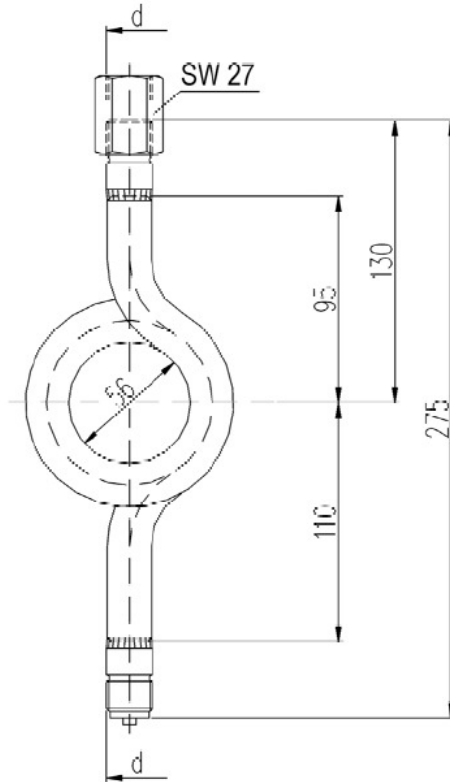
- Surface: steel phosphatized
- Range of application:  
For liquids, gas or steam
- Other materials, pressure/temperature ratings and connections on request

# Water syphon for pressure gauges DIN 16 282

water syphons circular-shaped ('pigtail') for vertical tapping

**Design C (similar to DIN 16 282)**  
with male thread on process side

**Design D**  
with weld end on process side



| Connection thread d | Material | Part no.         |                  |
|---------------------|----------|------------------|------------------|
|                     |          | Design C         | Design D         |
| G 1/2               | Steel    | 15-SIP02-C-SC-51 | 15-SIP02-D-SC-51 |
|                     | St. st.  | 15-SIP02-C-SS-51 | 15-SIP02-D-SS-51 |
| 1/2 NPT             | Steel    | 04-SIP02-C-SC-50 | 04-SIP02-D-SC-50 |
|                     | St. st.  | 04-SIP02-C-SS-50 | 04-SIP02-D-SS-50 |

| Material     |         | max. working pressure bar | max. working temperature in front of the water syphon °C |
|--------------|---------|---------------------------|--|
| Abbreviation |         |                           |  |
| 10 St        | St 35.8 | 100                       | 120  |
| 20 St        | 1.4571  | 80                        | 300  |
|              |         | 63                        | 400  |

| Components       | Steel               | Stainless steel |
|------------------|---------------------|-----------------|
|                  | DIN-Material Number |                 |
| Tube 20 x 2,6 mm | St 35.8             | 1.4571          |
| Male connector   | Ck 15               | 1.4571          |

- Surface: steel phosphatized
- Range of application: For liquids, gas or steam
- Other materials, pressure / temperature ratings and connections (e. g. 1/2 NPT) on request