

Temperature switch series L and G

One or two independent setpoints
Accuracy: $\pm 1\%$

Features

- Stainless steel or aluminum housing
- Easy setpoint adjustment, with setpoint indication
- Protection IP66 and IP65 or NEMA 4 and 4X (UL)
- Rigid stem and capillary types up to 15 m
- UL and CSA listed

Ranges

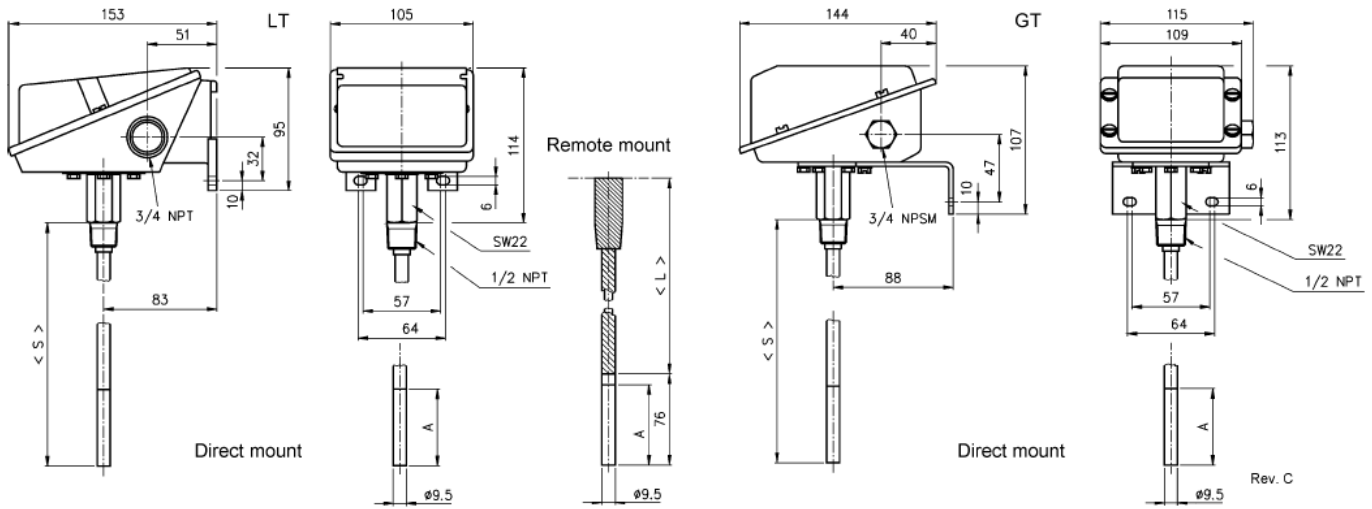
-40/16 °C up to 260/400 °C
-40/60 °F up to 500/750 °F

Applications

Chemical and petrochemical industry
Machine and apparatus construction
Food and beverage industry
Pulp and paper industry



Technical specification	L series			G series			
	LTA	LTD	LTS	GTA	GTD	GTS	
Type	Weatherproof						
Construction	Weatherproof						
Switch (setpoint) functions	One single setpoint	Two setpoints independently adjustable	One single setpoint	One single setpoint	Two setpoints independently adjustable	One single setpoint	
Deadband	Adjustable over 80 %	Fixed	Fixed	Adjustable over 80 %	Fixed	Fixed	
Measuring principle	Piston/cylinder system actuated by a vapor pressure thermal system, SAMA Class II system						
Range [°C]	-40/16	-20/40	20/95	65/125	110/190	175/275	260/400
[°F]	-40/60	0/100	75/205	150/260	235/375	350/525	500/750
Limits (temperature ranges) max. temperature	-40/16 °C, -20/40 °C, 20/95 °C and 204 °C	65/125 °C	110/190 °C	175/275 °C	260/400 °C	350/525 °C	500/750 °C
Stem diameter	3/8 inch (9,5 mm)						
Stem length	2 3/4" (70 mm)	4" (102 mm)	6" (152 mm)	9" (229 mm)	12" (305 mm)		
Bulb length (capillary type)	3" (76 mm)						
Capillary length	5' (1,5 m)	10' (3,0 m)	15' (4,5 m)	20' (6,0 m)	25' (7,5 m)	longer lengths on request	
Process connection	1/2 NPT male for rigid stem 1/2 NPT bushing sliding on capillary or bulb						
Connection location	Lower						
Material							
Connection	Stainless steel 316 (1.4401)						
Bushing	Stainless steel 316 (1.4401)						
Capillary and armor	Stainless steel 316 (1.4401)						
Housing	Aluminum, epoxy coated grey			Stainless steel 316 (1.4401)			
Accuracy	1,0 % F.S.						
Electrical specification							
Microswitch ratings	Up to max. 6 A 30 VDC respectively 22 A 250 VAC (see microswitch table)						
Electrical connection	3/4 NPT female, optional cable glands, 1/2 NPT with reducer bushing, M20x1,5, others on request						
General specification							
Permissible							
Ambient temperature	-25 ... 60 °C						
Storage temperature	-40 ... 60 °C						
Effect	Max. 0,4 % / 10 K ref. 20 °C						
Protection according UL	NEMA 4 and 4X						
Protection according EN 60 529/IEC 529	IP66			IP65			
CE-mark	Low voltage regulations EN 61 010-1, EN 60 947-1						
Mounting	Standard stem or wall, optional 2" pipe mounting (TM)						
Weight rigid stem/capillary [kg]	1,8/1,9 (with 1 m capillary)			1,6/1,7 (with 1 m capillary)			
Accessories, options	Thermowells screwed or flanged						



S = stem length (specify by customer), L = capillary length (specify by customer), A = active bulb, length 59 mm

Order information

single dual	Switch element Description	Capillary length	Execution capillary	Bulb length	Range	Engineering unit	Protection	Electrical connection	Options
LTA GTA		(00) Direct mounted	(=) Direct mounted	Rigid stem	-40/ 16 -20/ 40 20/ 95 65/ 125 110/ 190 175/ 275 ²⁾ 260/ 400 ¹⁾	°C	(UL) Standard (IP) IP66 (for L series) IP65 (for G series)	(=) Standard (JL) ¼ female to ½ NPT female reducing bushing	(NH) Tagging wired (FS) Factory adjusted setpoint (TM) 2" pipe mounting bracket
(H)	General purpose (10 A 250 VAC, 6 A 30 VDC)			(027) 2 ¾" (70 mm) ¹⁾					
(J)	Hermetically sealed (11 A 250 VAC, 5 A 28 VDC)			(040) 4" (102 mm)					
LTS LTD GTS GTD				(060) 6" (152 mm)	-40/ 60 0/ 100 75/ 205 150/ 260 235/ 375 350/ 525 ²⁾ 500/ 750 ¹⁾	°F		(JM) ¼ NPT to M20x1,5 female reducing bushing	(2C) DPDT with single set point adjustment (only available with LTS/GTS)
(C)	Heavy duty AC (22 A 250 VAC)			(090) 9" (229 mm)					
(F) (FF)	Sealed environment proof (15 A 250 VAC)			(120) 12" (305 mm)					
(G) (GG)	General purpose ¹⁾ (15 A 250 VAC, 6 A 30 VDC)							Only for protection IP	
(J) (JJ)	Hermetically sealed general purpose ¹⁾ (11 A 250 VAC, 5 A 28 VDC)	(05) 5' (1,5 m)	(A7) Capillary with stainless steel armor	With capillary				(KV2) Plastic cable gland IP65, PG11	(69C) Adjustable union connection on capillary
(K) (KK)	Narrow deadband (15 A 250 VAC)	(10) 10' (3,0 m)		(030) Bulb 3" (76 mm)				(KV3) Plastic cable gland IP65, PG13,5	(69H) Adjustable union connection on bulb
(L) (LL)	Hermetically sealed gold contacts (1 A 125 VAC) (for use in intrinsically safe circuits)	(15) 15' (4,5 m)							
(M) (MM)	Low level (gold) contacts (1 A 125 VAC)	(20) 20' (6,0 m)							
(P) (PP)	Hermetically sealed, narrow deadband (5 A 250 VAC)	(25) 25' (7,5 m)						(KV4) Plastic cable gland IP65, PG16	
(S)	Heavy duty DC (10 A 125 VAC, 10A 125 VDC)								
(W) (WW)	Ammonia service (5A 250 VAC, 6 A 30 VDC)							(KV52) Plastic cable gland PG13,5	
(Y) (YY)	High temp. (max. 150 °C) (15 A 250 VAC)								
	¹⁾ VDC rating not UL listed	longer capillary on request		¹⁾ not for 175/275 °C and 350/525 °F	²⁾ not for rigid stem 2 ¾"				

How to order

Type	Switch element	Capillary length	Execution capillary	Bulb length	Range	Engineering unit	Protection	Electrical connection	Option
LTD	GG	05	A7	030	20/95	C	UL	JL	NH