

CLIC CLIPS

CLIC Pipe Clamps dia 8 - 64mm



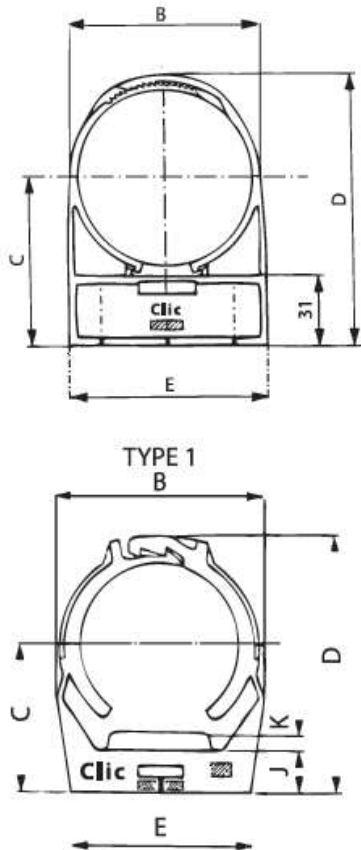
CLIC CLIPS

CLIC Pipe Clamps dia 63 - 127mm



CLIC CLIPS

Clc Dimensions



Product	Clamping Range	Table A Max Load n*	PCS/Carton
Clic 20	19.5 - 22	700	100
Clic 25	24.6 - 27.8	850	50
Clic 32	31.2 - 35.5	1000	50
Clic 40	39.5 - 43.5	1150	25
Clic 47	46.5 - 50.5	1300	25
Clic 59	58.5 - 64	1600	20

Product	Clamping Range	Table B Max Load n*	PCS/Carton
Clic 71	71 - 80	1300	25
Clic 80	80 - 90	1600	25
Clic 113	113 - 127	2500	25

* newton

Nominal Clc Size	B	Table F C	D	E	J	K
8	17.1	17.5	26.4	17.1	7.5	4.3
10	17.1	16.6	26.2	17.1	7.5	3
12	23.6	18.4	29.9	20.2	7.5	3.4
15	23.7	18.6	30	20.3	7.5	2.4
17	27	22	35.4	22.5	7.8	3.4
20	29.5	23.07	39.4	24.8	7.2	3.2
22	35.10	25	40.9	29	8.6	3.8
25	35.8	26.8	45.1	30.4	8.8	2.8
28	39.7	28.8	48.9	33.4	8.8	3.5
32	44.7	32.2	54.4	38	9	3.5
36	49.01	34.3	59.4	41.8	9.1	4.1
40	53.2	36.3	64.2	46.2	9.3	3.7
47	61.3	40.6	72.8	53.5	9.8	4.1
51	67	44.3	78.7	58.6	10.2	4.1
59	76.6	48.6	88.2	66.3	10.7	4.2
63	79	72	115	78		
71	91	77	124	87		
80	102	83	136	98		
90	110	89	148	110		
101	124	96	163	124		
113	143	105	180	139		

Dimensions in mm

This data sheet is designed as a guide and should not be regarded as wholly accurate in every detail. We reserve the right to amend the specification of any product without notice.