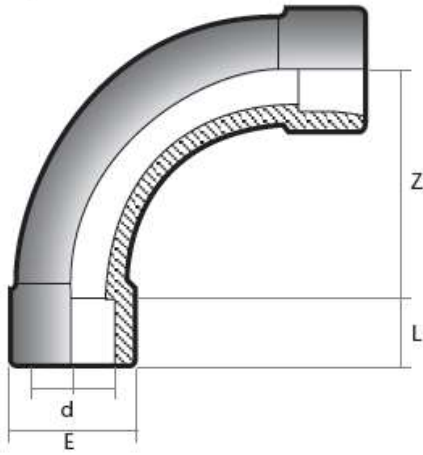


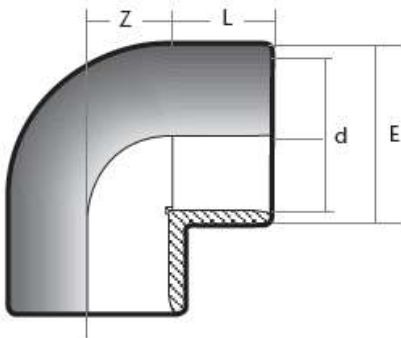
BE33

90° S/R Bends



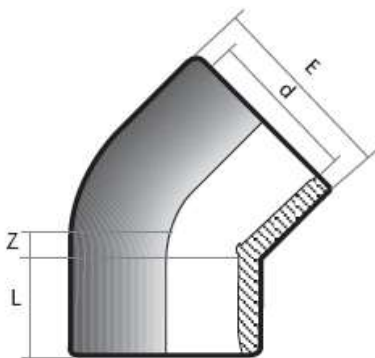
EL53

90° Elbows



EY53

45° Elbows



d	L	Z	E	Kg. ABS	Kg. PVC
1/2"	16	40	28	0.030	0.038
3/4"	19	50	35	0.045	0.059
1"	22	64	42	0.090	0.118
1 1/4"	26	80	51	0.138	0.180
1 1/2"	31	100	63	0.245	0.320
2"	38	126	77	0.410	0.535
2 1/2"	44	150	94	0.780	1.015
3"	51	180	113	1.220	1.590
4"	61	220	132	2.030	2.640

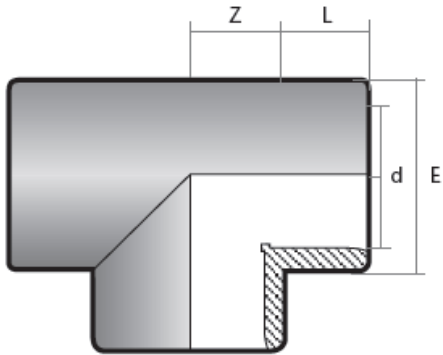
d	L	Z	E	Kg. ABS	Kg. PVC
1/2"	16	11	26.5	0.011	0.015
3/4"	19	14	32.5	0.018	0.024
1"	22	17	41	0.032	0.042
1 1/4"	26	23	50	0.054	0.072
1 1/2"	31	28	60	0.112	0.150
2"	38	34	75	0.214	0.285
2 1/2"	44	40	89	0.285	0.375
3"	51	48	106	0.492	0.655
4"	61	58	129	0.812	1.080
5"	76	73	164	1.500	1.990
6"	86	81	188	3.000	3.990
8"	119	115	258	6.465	8.600

d	L	Z	E	Kg. ABS	Kg. PVC
1/2"	16	5.5	28	0.011	0.015
3/4"	19	6	34	0.019	0.025
1"	22	8	42	0.031	0.041
1 1/4"	26	10	51	0.044	0.059
1 1/2"	31	12	61	0.094	0.125
2"	38	15	75	0.161	0.215
2 1/2"	44	18	88	0.233	0.310
3"	51	21	106	0.376	0.500
4"	61	25	130	0.690	0.920
5"	76	32	164	1.230	1.640
6"	86	36	197	1.616	2.150
8"	119	49	258	4.600	6.800

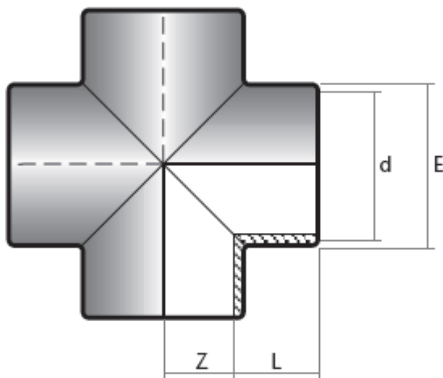
Dimensions in mm

This data sheet is designed as a guide and should not be regarded as wholly accurate in every detail. We reserve the right to amend the specification of any product without notice.

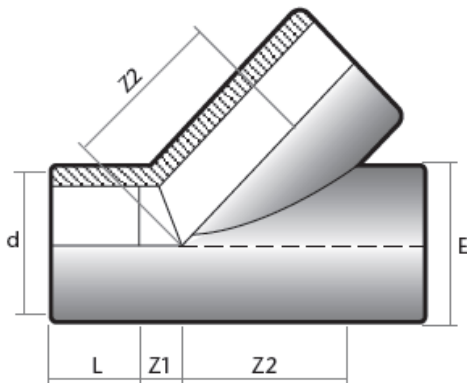
TE43
Equal Tees



CR33
Crosses



TY43
45° Tees



d	L	Z	E	Kg. ABS	Kg. PVC
1/2"	16	11	27.5	0.016	0.021
3/4"	19	14	33.5	0.026	0.035
1"	22	17	42	0.047	0.063
1 1/4"	26	21	51	0.076	0.101
1 1/2"	31	26	61	0.153	0.207
2"	38	33	75	0.274	0.365
2 1/2"	44	39	89	0.373	0.495
3"	51	47	106	0.630	0.837
4"	61	57	129	1.083	1.440
5"	76	72	162.5	1.917	2.610
6"	86	81	188	3.720	4.950
8"	119	114	258	8.350	11.10

d	L	Z	E	Kg. ABS	Kg. PVC
1/2"	16	11	27.5	0.020	0.026
3/4"	19	14	33.5	0.032	0.041
1"	22	17	42	0.056	0.072
1 1/4"	26	21	51	0.088	0.114
1 1/2"	31	26	61	0.180	0.233
2"	38	33	75	0.318	0.411
2 1/2"	44	40	89	-	0.776

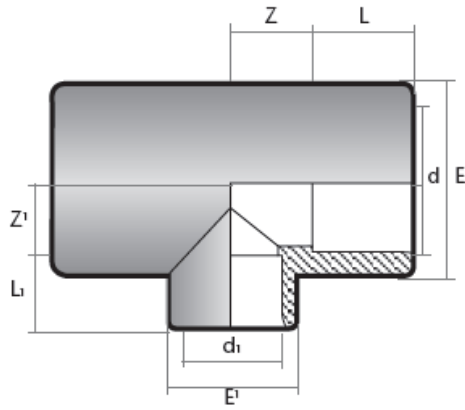
d	L	Z1	Z2	E	Kg. ABS	Kg. PVC
1/2"	16	7	29	27.5	0.028	0.036
3/4"	19	7	36	33.5	0.038	0.049
1"	22	8	44	42	0.071	0.092
1 1/4"	26	10	54	50.5	0.115	0.149
1 1/2"	31	12	65	61	0.230	0.297
2"	38	14	80	74.5	0.397	0.513
2 1/2"	44	18	101	91	-	0.690

Dimensions in mm

This data sheet is designed as a guide and should not be regarded as wholly accurate in every detail. We reserve the right to amend the specification of any product without notice.

TR43

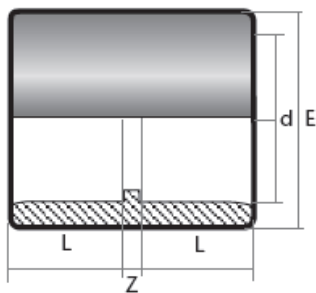
Reducing Tees



dxdl	L	L1	Z	Z1	E	E1	Kg. ABS	Kg. PVC
3/4" x 1/2"	19	16	14	14	33.5	28	0.032	0.042
1" x 1/2"	22	16	17	17	42	28	0.052	0.069
1" x 3/4"	22	19	17	17	42	34	0.053	0.070
1 1/4" x 1/2"	26	16	21	21	51	38	0.084	0.112
1 1/4" x 3/4"	26	19	21	21	51	34	0.086	0.115
1 1/4" x 1"	26	22	21	21	51	42	0.089	0.118
1 1/2" x 1/2"	31	16	26	26	61	28	0.116	0.155
1 1/2" x 3/4"	31	19	26	26	61	34	0.125	0.166
1 1/2" x 1"	31	22	26	26	61	42	0.128	0.170
1 1/2" x 1 1/4"	31	26	26	26	61	51	0.134	0.178
2" x 1 1/2"	38	16	33	33	75	28	0.202	0.268
2" x 3/4"	38	19	33	33	75	34	0.203	0.270
2" x 1"	38	22	33	33	75	42	0.207	0.275
2" x 1 1/4"	38	26	33	33	75	51	0.216	0.288
2" x 1 1/2"	38	31	33	33	75	61	0.225	0.300
2 1/2" x 1"	44	22	39	39	89	42	0.348	0.463
2 1/2" x 1 1/4"	44	26	39	39	89	51	0.350	0.465
2 1/2" x 1 1/2"	44	31	39	39	89	61	0.350	0.465
2 1/2" x 2"	44	38	39	39	89	75	0.359	0.478
3" x 1 1/4"	51	26	47	47	106	51	0.528	0.702
3" x 1 1/2"	51	31	47	47	106	61	0.556	0.740
3" x 2"	51	38	47	47	106	75	0.556	0.740
3" x 2 1/2"	51	44	47	47	106	89	0.591	0.760
4" x 1 1/2"	61	31	57	57	129	61	0.940	1.250
4" x 2"	61	38	57	57	129	75	0.902	1.200
4" x 2 1/2"	61	44	57	57	129	89	0.917	1.220
4" x 3"	61	51	57	57	129	106	0.940	1.250

SO13

Sockets



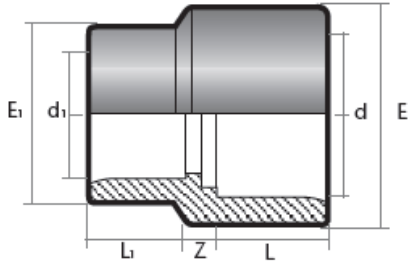
d	L	Z	E	Kg. ABS	Kg. PVC
1/2"	16	3	28	0.010	0.013
3/4"	19	3	34	0.016	0.020
1"	22	3	42	0.025	0.033
1 1/4"	26	3	51	0.042	0.056
1 1/2"	31	3	61	0.067	0.089
2"	38	3	75	0.126	0.168
2 1/2"	44	4	88	0.167	0.222
3"	51	5	106	0.279	0.372
4"	61	6	129	0.466	0.620
5"	76	9	161	0.827	1.100
6"	86	11	191	1.247	1.658
8"	119	11	258	3.160	4.200

Dimensions in mm

This data sheet is designed as a guide and should not be regarded as wholly accurate in every detail. We reserve the right to amend the specification of any product without notice.

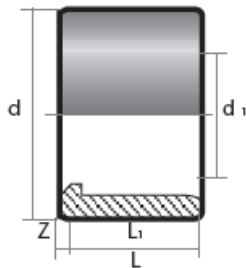
RS13

Reducing Sockets



RB93

Reducing Bushes



dxd1	L	L1	Z	E	E1	Kg. ABS	Kg. PVC
3/4" x 1/2"	19	16	6	34	28	0.025	0.032
1" x 3/4"	22	19	6	42	33	0.035	0.053
1 1/4" x 1"	26	22	6	51	41	0.058	0.089
1 1/2" x 1 1/4"	31	26	6	61	50	0.080	0.134
2" x 1 1/2"	38	31	6	75	60.5	0.120	0.225
2 1/2" x 2"	44	38	6	89	75	0.210	0.359
3" x 2 1/2"	51	44	6	106	88	0.300	0.571
4" x 3"	61	51	6	129	106	0.510	0.940

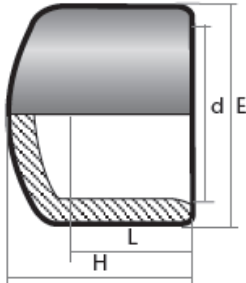
dxd1	L	L1	Z	Kg. ABS	Kg. PVC
3/4" x 1/2"	19	16	3	0.004	0.004
1" x 1/2"	22	16	6	0.012	0.012
1" x 3/4"	22	19	3	0.008	0.008
1 1/4" x 1/2"	26	16	10	0.023	0.023
1 1/4" x 3/4"	26	19	7	0.022	0.022
1 1/4" x 1"	26	22	4	0.015	0.015
1 1/2" x 3/4"	31	19	12	0.029	0.029
1 1/2" x 1"	31	22	9	0.032	0.032
1 1/2" x 1 1/4"	31	26	5	0.017	0.017
2" x 1"	38	22	16	0.052	0.052
2" x 1 1/4"	38	26	12	0.053	0.053
2" x 1 1/2"	38	31	7	0.041	0.041
2 1/2" x 1 1/2"	44	31	13	0.089	0.089
2 1/2" x 2"	44	38	6	0.072	0.072
3" x 1 1/2"	51	31	20	0.159	0.159
3" x 2"	51	38	13	0.137	0.137
3" x 2 1/2"	51	44	7	0.116	0.116
4" x 2"	61	38	23	0.337	0.337
4" x 2 1/2"	61	44	17	0.266	0.266
4" x 3"	61	51	10	0.246	0.246
5" x 3"	76	51	25	0.455	0.455
5" x 4"	76	61	25	0.410	0.410
6" x 4"	86	61	25	0.683	0.683
8" x 6"	119	86	33	1.540	1.540

Dimensions in mm

This data sheet is designed as a guide and should not be regarded as wholly accurate in every detail. We reserve the right to amend the specification of any product without notice.

CA73

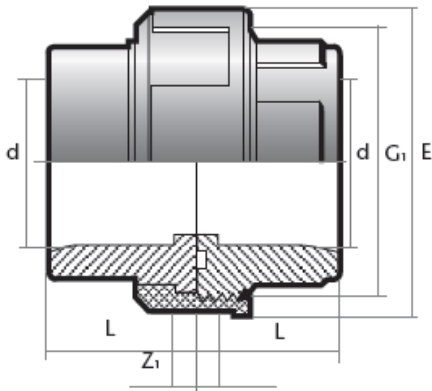
Caps



d	L	H	E	Kg. ABS	Kg. PVC
1/2"	16	27	28	0.008	0.010
3/4"	19	31	33	0.012	0.016
1"	22	36	41	0.020	0.026
1 1/4"	26	43	50	0.030	0.040
1 1/2"	31	49	60.5	0.055	0.073
2"	38	57	75	0.096	0.128
2 1/2"	44	67	89	0.133	0.178
3"	51	80	106	0.228	0.310
4"	61	95	129	0.390	0.520
5"	76	114	161	0.713	0.920
6"	86	126	181	1.021	1.317
8"	119	145	258	2.615	3.478

UN83

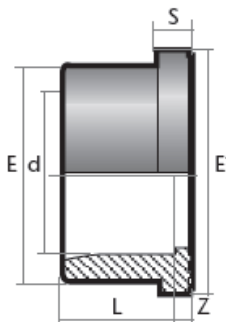
Socket Unions



d	L	Z1	Z2	G1	E	Kg. ABS	Kg. PVC
1/2"	16	3	10	1"	42	0.042	0.041
3/4"	19	3	10	1 1/4"	52	0.070	0.067
1"	22	3	10	1 1/2"	59	0.097	0.090
1 1/4"	26	3	12	2"	72	0.155	0.135
1 1/2"	31	3	14	2 1/4"	79	0.216	0.206
2"	38	3	18	2 3/4"	96	0.340	0.360
2 1/2"	44	3	18	3 1/2"	119	0.580	0.580
3"	51	5	18	4"	134	0.760	0.777
4"	61	5	18	5"	163	1.280	1.150

ST23

Stub Flanges



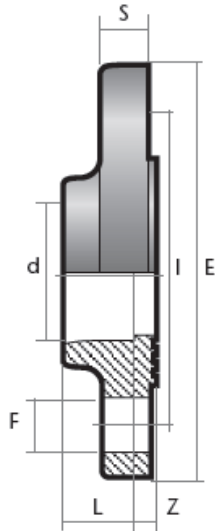
d	L	Z	S	E	E1	Kg. ABS	Kg. PVC
1/2"	16	3	6	27	34	0.008	0.010
3/4"	19	3	7	33	41	0.011	0.014
1"	22	3	7	41	50	0.017	0.023
1 1/4"	26	3	8	50	61	0.036	0.048
1 1/2"	31	3	8	61	73	0.054	0.068
2"	38	3	9	76	90	0.093	0.128
2 1/2"	44	3	10	90	106	0.120	0.160
3"	51	5	11	108	125	0.204	0.272
4"	61	5	12	131	150	0.271	0.361
5"	77	7	13	163	187	0.564	0.750
6"	88	7	14	193	217	0.821	1.155
8"	119	7	19	248	274	1.573	2.092

Dimensions in mm

This data sheet is designed as a guide and should not be regarded as wholly accurate in every detail. We reserve the right to amend the specification of any product without notice.

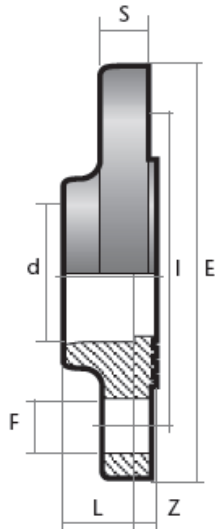
FF33

Full Faced Flanges PN16



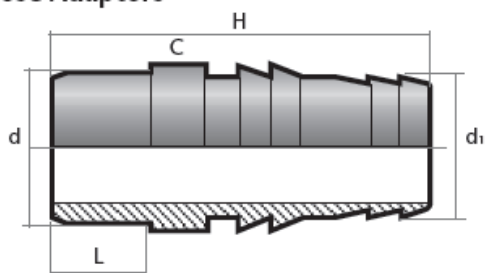
FF30

Full Faced Flanges Table E



HN63

Hose Adaptors



d	L	Z	E	I	f	Holes	Kg. ABS	Kg. PVC
1/2"	16	4.5	95	65	14	4	0.070	0.078
3/4"	19	4.5	105	75	14	4	0.105	0.105
1"	22	4.5	115	85	14	4	0.145	0.143
1 1/4"	26	4.5	142	100	18	4	0.176	0.220
1 1/2"	31	4.5	152	110	18	4	0.224	0.280
2"	38	4.5	165	125	18	4	0.304	0.380
2 1/2"	44	6	185	145	18	4	0.404	0.505
3"	51	7	200	160	18	8	0.548	0.685
4"	61	8	220	180	18	8	0.752	0.940

d	L	Z	E	I	f	Holes	Kg. ABS	Kg. PVC
1/2"	16	4.5	95	67	14	4	0.070	0.078
3/4"	19	4.5	105	73	14	4	0.105	0.105
1"	22	4.5	115	83	14	4	0.145	0.143
1 1/4"	26	4.5	142	88	14	4	0.176	0.220
1 1/2"	31	4.5	152	98	18	4	0.224	0.280
2"	38	4.5	165	115	18	4	0.304	0.380
2 1/2"	44	6	185	127	18	4	0.404	0.505
3"	51	7	200	146	18	4	0.548	0.685
4"	61	8	220	178	18	8	0.752	0.940

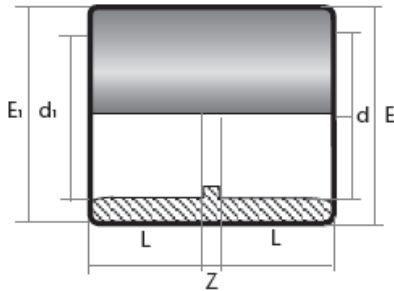
d	d1	L	H	C	Kg. ABS	Kg. PVC
1/2"	20	16	70	24	0.017	0.023
3/4"	25	19	79	27	0.022	0.030
1"	32	22	83	36	0.037	0.050
1 1/4"	40	26	96	46	0.055	0.073
1 1/2"	50	31	108	55	0.103	0.137
2"	60	38	130	65	0.156	0.208

Dimensions in mm

This data sheet is designed as a guide and should not be regarded as wholly accurate in every detail. We reserve the right to amend the specification of any product without notice.

S014

Sockets - Metric/Imperial



dxd1	L1	Z	E	E1	Kg. ABS	Kg. PVC
20mm x 1/2"	16	3	28	28	0.012	0.015
25mm x 3/4"	19	3	33	33	0.019	0.023
32mm x 1"	22	3	41	41	0.028	0.036
40mm x 1 1/4"	26	3	50	50	0.046	0.060
50mm x 1 1/2"	31	3	60.5	60.5	0.063	0.085
63mm x 2"	38	3	75	75	0.103	0.145
90mm x 3"	51	5	106	106	0.260	0.353
110mm x 4"	61	6	129	129	0.451	0.605

BFO0

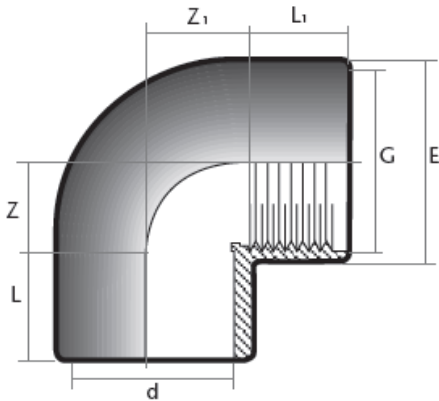
Blank Flanges PN16



DN	E	S	I	F	Kg. PVC
1/2"	95	11	65	14	0.075
3/4"	105	12	75	14	0.100
1"	115	14	85	14	0.137
1 1/4"	142	15	100	18	0.225
1 1/2"	152	16	110	18	0.280
2"	165	18	125	18	0.355
2 1/2"	185	19	145	18	0.488
3"	200	20	160	18	0.640
4"	220	22	180	18	0.825
6"	283	28	240	22	1.589

EL32

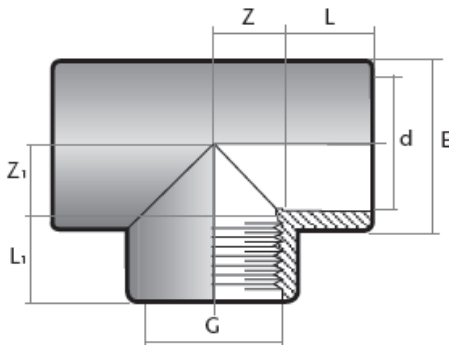
90° Elbows



dxG	L	L1	Z	Z1	E	Kg. ABS	Kg. PVC
1/2" x 1/2"	16	15	11	12	26.5	0.011	0.015
3/4" x 3/4"	19	16.3	14	16	32.5	0.020	0.027
1" x 1"	22	19.1	17	19.7	41	0.036	0.048
1 1/4" x 1 1/4"	26	21.4	23	24.9	50	0.054	0.072
1 1/2" x 1 1/2"	31	21.4	28	30.6	60	0.122	0.162
2" x 2"	38	25.7	34	37.6	75	0.233	0.310
2 1/2" x 2 1/2"	44	30.2	40	46.3	89	0.308	0.410
3" x 3"	51	33.3	48	53.8	106	0.538	0.715
4" x 4"	61	39.3	58	65.7	129	0.810	1.078

TE32

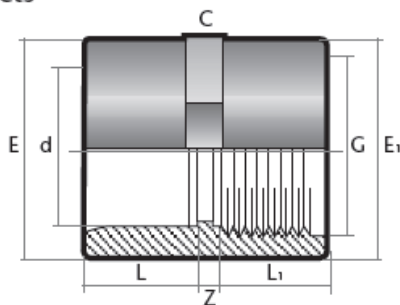
90° Tees



dxG	L	L1	Z	Z1	E	Kg. ABS	Kg. PVC
1/2" x 1/2"	16	15	11	12	27.5	0.019	0.025
3/4" x 3/4"	19	16.3	14	16	33.5	0.029	0.038
1" x 1"	22	19.1	17	19.7	42	0.052	0.069
1 1/4" x 1 1/4"	26	21.4	23	19.9	51	0.080	0.106
1 1/2" x 1 1/2"	31	21.4	28	24.0	61	0.160	0.213
2" x 2"	38	25.7	34	30.0	75	0.286	0.380
2 1/2" x 2 1/2"	44	30.2	40	38.0	89	0.380	0.505
3" x 3"	51	33.3	48	44.0	106	0.663	0.882
4" x 4"	61	39.3	58	57.0	129	1.094	1.455

S032

Sockets



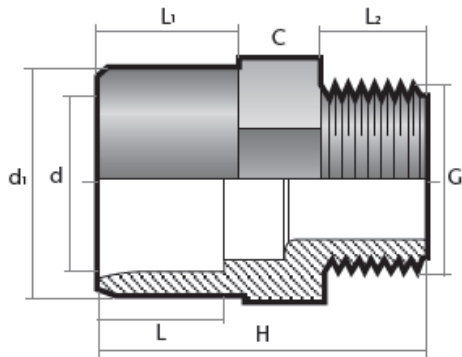
dxG	L	L1	Z	E	E1	C	Kg. ABS	Kg. PVC
1/2" x 1/2"	16	15	4	28	28	30	0.011	0.015
3/4" x 3/4"	19	16.3	4	34	34	34	0.016	0.022
1" x 1"	22	19.1	5	42	42	42	0.024	0.033
1 1/4" x 1 1/4"	26	21.4	5	50	50	55	0.047	0.063
1 1/2" x 1 1/2"	31	21.4	5	61	61.0	65	0.075	0.100
2" x 2"	38	25.7	5	75	75.0	75	0.118	0.158
2 1/2" x 2 1/2"	44	30.2	5	89	89.0	90	0.161	0.215
3" x 3"	51	33.3	8	106	106	110	0.261	0.347
4" x 4"	61	39.3	8	129	129	129	0.382	0.508

Dimensions in mm

This data sheet is designed as a guide and should not be regarded as wholly accurate in every detail. We reserve the right to amend the specification of any product without notice.

AD32

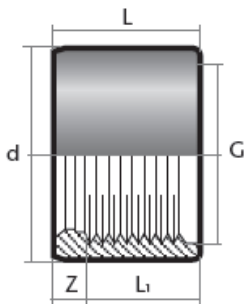
Male Threaded Adaptors



d-d1xG	L	L1	L2	H	C	Kg. ABS	Kg. PVC
1/2" - 3/4" x 1/2"	16	19	15	46	27	0.011	0.015
1/2" - 3/4" x 3/4"	16	19	16.3	47	30	0.012	0.016
3/4" - 1" x 3/4"	19	22	16.3	50	36	0.020	0.027
3/4" - 1" x 1"	19	22	19.1	53	36	0.022	0.029
1" - 1 1/4" x 1"	22	26	19.1	57	42	0.032	0.043
1" - 1 1/4" x 1 1/4"	22	26	21.4	60	46	0.039	0.052
1 1/4" - 1 1/2" x 1 1/4"	26	31	21.4	66.5	55	0.046	0.061
1 1/4" - 1 1/2" x 1 1/2"	26	31	21.4	66.5	55	0.048	0.064
1 1/2" - 2" x 1 1/2"	31	38	21.4	74	65	0.083	0.110
1 1/2" - 2" x 2"	31	38	25.7	78	65	0.093	0.124
2" - 2 1/2" x 2"	38	44	25.7	84	75	0.114	0.152
2" - 2 1/2" x 2 1/2"	38	44	30.2	91	80	0.135	0.180
2 1/2" - 3" x 2 1/2"	44	51	30.2	99	95	0.195	0.260
2 1/2" - 3" x 3"	44	51	33.3	102	95	0.206	0.275
3" - 4" x 3"	53	61	33.3	113	119	0.434	0.578
3" - 4" x 4"	51	61	39.3	118	115	0.438	0.584
4" - 5" x 4"	61	69	39.3	120	130	0.320	0.426

RB30

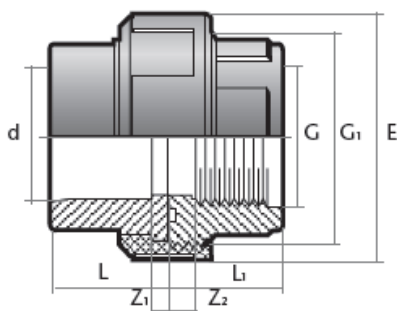
Reducing Bushes



dxG	L	L1	Z	Kg. ABS	Kg. PVC
1/2" x 3/8"	16	13.5	2.5	0.002	0.004
3/4" x 1/2"	19	15	4	0.006	0.008
1" x 3/4"	22	16.3	5.7	0.009	0.012
1 1/4" x 1"	26	19.1	6.9	0.016	0.022
1 1/2" x 1 1/4"	31	21.4	9.6	0.034	0.045
2" x 1 1/2"	38	21.4	16.6	0.051	0.068
2 1/2" x 2"	44	25.7	18.3	0.072	0.096
3" x 2 1/2"	51	30.2	20.8	0.114	0.152
4" x 3"	61	33.3	27.7	0.212	0.282

UN72

Socket Unions



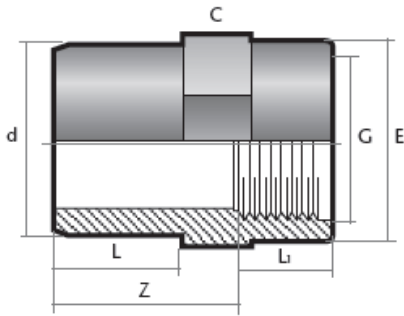
dxG	L	L1	Z1	Z2	G1	E	Kg. ABS	Kg. PVC
1/2" x 1/2"	16	15	3	11	1"	42	0.031	0.041
3/4" x 3/4"	19	16.3	3	12.7	1 1/4"	52	0.051	0.068
1" x 1"	22	19.1	3	12.9	1 1/2"	59	0.070	0.093
1 1/4" x 1 1/4"	26	21.4	3	16.6	2"	72	0.109	0.145
1 1/2" x 1 1/2"	31	21.4	3	23.6	2 1/4"	79	0.176	0.234
2" x 2"	38	25.7	3	30.3	2 3/4"	96	0.293	0.390

Dimensions in mm

This data sheet is designed as a guide and should not be regarded as wholly accurate in every detail. We reserve the right to amend the specification of any product without notice.

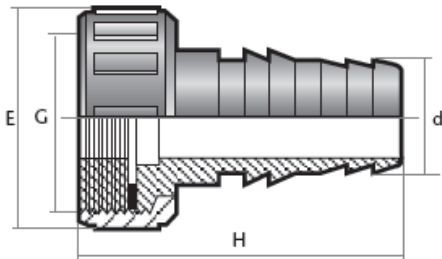
AD42

Female Threaded Adaptors



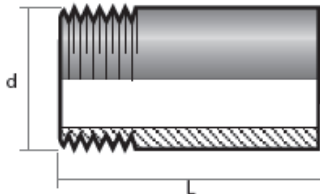
HN64

Hose Adaptors



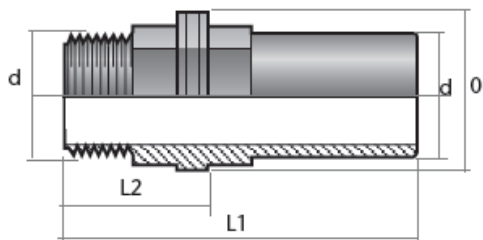
BN12

Barrel Nipples



TC93

Tank Connectors



dxG	L	L1	E	Z	C	Kg. ABS	Kg. PVC
1/2" x 1/2"	16	15	28	24	30	0.019	0.023
3/4" x 3/4"	19	16.3	34	27	36	0.022	0.028
1" x 1"	22	19.1	42	30	46	0.036	0.046
1 1/4" x 1 1/4"	26	21.4	51	36	55	0.052	0.070
1 1/2" x 1 1/2"	31	21.4	58	41	60	0.057	0.075
2" x 2"	38	25.7	75	48	75	0.100	0.130
2 1/2" x 2 1/2"	44	30.2	89	58	90	0.190	0.225
3" x 3"	51	33.3	103	66	105	0.255	0.330
4" x 4"	61	39.3	130	76	130	0.410	0.510

G	d	H	E	Kg. ABS	Kg. PVC
3/4"	16	54	34	0.022	0.023
1"	20	59	42	0.031	0.032
1 1/4"	25	63	52	0.047	0.049
1 1/2"	30	68	59	0.066	0.068
2"	40	77	72	0.105	0.110
2 1/2"	50	80	79	0.140	0.145

d	L	Kg. ABS	Kg. PVC
3/8"	42	0.011	0.012
1/2"	49	0.013	0.014
3/4"	55	0.02	0.025
1"	62	0.03	0.038
1 1/4"	72	0.051	0.052
1 1/2"	87	0.083	0.080
2"	87	0.119	0.115
2 1/2"	105	0.205	0.197
3"	127	0.308	0.300
4"	150	0.485	0.560

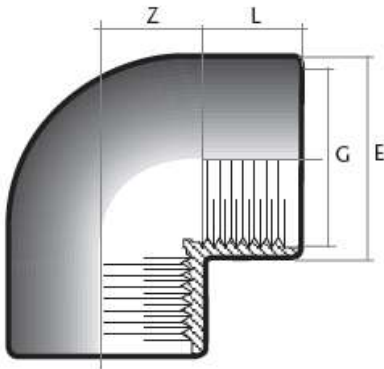
d	L	L1	O	Kg. ABS	Kg. PVC
1/2"	76	42	28	0.03	0.040
3/4"	76	42	33	0.04	0.054
1"	101	55	46	0.083	0.110
1 1/4"	120	70	50	0.135	0.170
1 1/2"	127	73	60	0.174	0.230
2"	152	85	80	0.295	0.395
2 1/2"	165	90	90	0.385	0.510
3"	202	112	112	0.578	0.770
4"	230	130	135	1.15	1.510

Dimensions in mm

This data sheet is designed as a guide and should not be regarded as wholly accurate in every detail. We reserve the right to amend the specification of any product without notice.

EL51

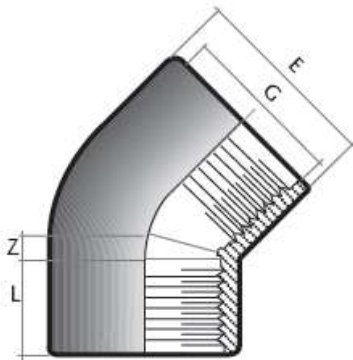
90° Elbows



G	L	Z	E	Kg. ABS	Kg. PVC
3/8"	11.4	11.6	23.5	0.010	0.015
1/2"	15.0	12.0	26.5	0.011	0.022
3/4"	16.3	16.7	32.5	0.020	0.037
1"	19.1	19.9	41	0.036	0.060
1 1/4"	21.4	27.6	50	0.054	0.095
1 1/2"	21.4	37.6	60	0.122	0.180
2"	25.7	46.3	75	0.233	0.340
2 1/2"	30.2	53.8	89	0.308	0.436
3"	33.3	65.7	106	0.538	0.770
4"	39.3	79.7	129	0.810	1.020

EY51

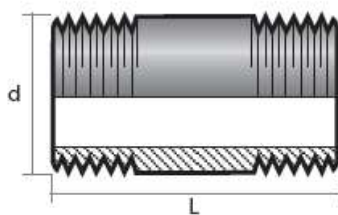
45° Elbows



G	L	Z	E	Kg. ABS	Kg. PVC
3/8"	11.4	8.1	23.5	0.009	0.010
1/2"	15.0	6.5	28	0.014	0.018
3/4"	16.3	8.7	34	0.022	0.030
1"	19.1	10.9	42	0.039	0.050
1 1/4"	21.4	14.6	51	0.058	0.080
1 1/2"	21.4	21.6	61	0.110	0.145
2"	25.7	27.3	75	0.191	0.254
2 1/2"	30.2	31.8	89	0.254	0.360
3"	33.3	38.7	106	0.446	0.620
4"	39.3	46.7	128	0.665	0.830

BN11

Barrel Nipples

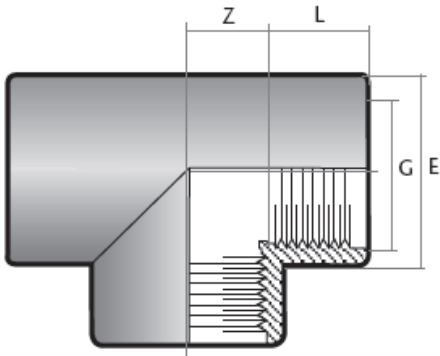


d	L	Kg. ABS	Kg. PVC
3/8"	42	0.011	0.012
1/2"	49	0.013	0.014
3/4"	55	0.02	0.025
1"	62	0.03	0.038
1 1/4"	72	0.051	0.052
1 1/2"	87	0.083	0.080
2"	87	0.119	0.115
2 1/2"	105	0.205	0.197
3"	127	0.308	0.300
4"	150	0.485	0.560

Dimensions in mm

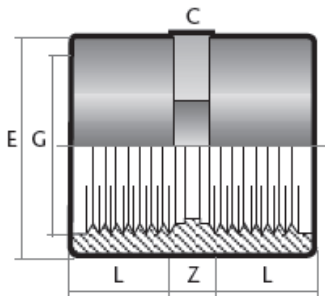
This data sheet is designed as a guide and should not be regarded as wholly accurate in every detail. We reserve the right to amend the specification of any product without notice.

TE41 Equal Tees



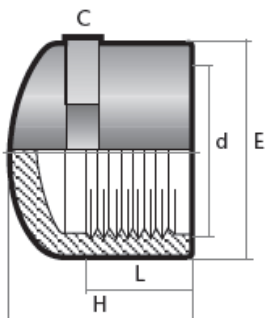
G	L	Z	E	Kg. ABS	Kg. PVC
3/8"	11.4	11.6	23.5	0.014	0.018
1/2"	15.0	12.0	27	0.019	0.030
3/4"	16.3	16.7	33.5	0.029	0.050
1"	19.1	19.9	42	0.052	0.080
1 1/4"	21.4	27.6	51	0.080	0.120
1 1/2"	21.4	37.6	61	0.160	0.240
2"	25.7	46.3	75	0.286	0.425
2 1/2"	30.2	53.8	89	0.380	0.560
3"	33.3	65.7	106	0.663	1.000
4"	39.3	79.7	129	1.094	1.310

SO11 Sockets



G	L	Z	E	C	Kg. ABS	Kg. PVC
3/8"	11.4	6	23.5	24	0.008	0.008
1/2"	15.0	7	28	30	0.011	0.020
3/4"	16.3	7	34	36	0.016	0.025
1"	19.1	8	42	46	0.024	0.045
1 1/4"	21.4	8	50.5	55	0.047	0.065
1 1/2"	21.4	8	57.5	60	0.075	0.070
2"	25.7	8	71.5	75	0.118	0.125
2 1/2"	30.2	9	88	90	0.161	0.200
3"	33.3	10	102	105	0.261	0.276
4"	39.3	11	129	130	0.382	0.440

CA71 Caps



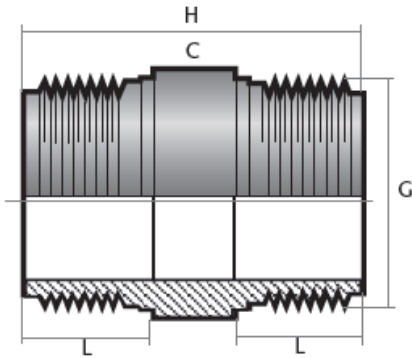
G	L	H	E	C	Kg. ABS	Kg. PVC
3/8"	11.4	22	23	24	0.007	0.007
1/2"	15.0	26	28	30	0.012	0.015
3/4"	16.3	28	34	36	0.017	0.023
1"	19.1	32	42	46	0.030	0.040
1 1/4"	21.4	35	51	55	0.044	0.056
1 1/2"	21.4	35	58	60	0.052	0.067
2"	25.7	39	72	75	0.093	0.113
2 1/2"	30.2	52	89	90	0.144	0.190
3"	33.3	56	103	105	0.210	0.270
4"	39.3	64	130	130	0.318	0.420

Dimensions in mm

This data sheet is designed as a guide and should not be regarded as wholly accurate in every detail. We reserve the right to amend the specification of any product without notice.

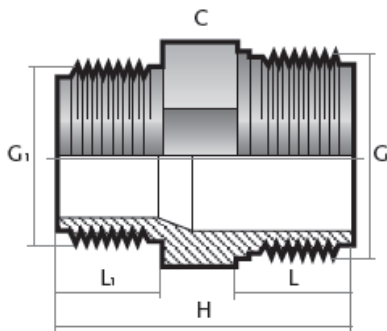
NI61

Hexagon Nipples



NR61

Reducing Nipples

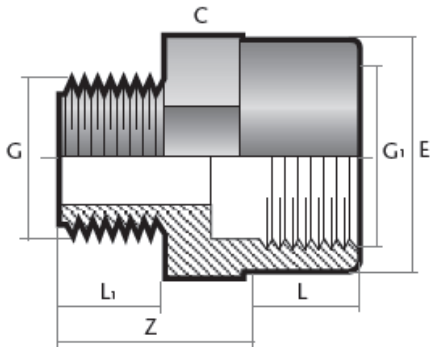


G	L	H	C	Kg. ABS	Kg. PVC
3/8"	11.4	31.7	18.9	0.005	0.006
1/2"	15.0	42	12	0.009	0.011
3/4"	16.3	44	11.4	0.015	0.018
1"	19.1	50	11.8	0.023	0.028
1 1/4"	21.4	58	15.2	0.038	0.047
1 1/2"	21.4	58	15.2	0.041	0.061
2"	25.7	66	14.6	0.083	0.098
2 1/2"	30.2	78	17.6	0.120	0.144
3"	33.3	85	18.4	0.176	0.230
4"	39.3	96	17.4	0.270	0.345

G x G1	L	L1	H	C	Kg. ABS	Kg. PVC
1/2" x 3/8"	15.0	11.4	38	24	0.007	0.010
3/4" x 1/2"	16.3	15.0	43	30	0.012	0.017
1" x 3/4"	19.1	16.3	47	36	0.020	0.025
1 1/4" x 1"	21.4	19.1	56	46	0.035	0.042
1 1/2" x 1 1/4"	21.4	21.4	58	50	0.040	0.048
2" x 1 1/2"	25.7	21.4	62	65	0.070	0.080
2 1/2" x 2"	30.2	25.7	73	80	0.110	0.138
3" x 2 1/2"	33.3	30.2	82	95	0.165	0.208
4" x 3"	39.3	33.3	90	120	0.270	0.340

RE21

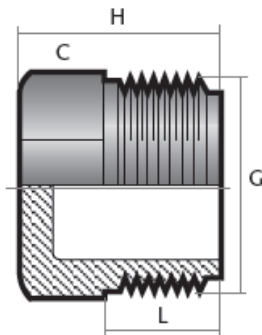
Reducing Pieces



G x G1	L	L1	Z	C	E	Kg. ABS	Kg. PVC
3/8" x 1/2"	11.4	15.0	22	30	28	0.008	0.010
1/2" x 3/4"	15.0	16.3	24	36	34	0.013	0.017
3/4" x 1"	16.3	19.1	26	46	42	0.019	0.025
1" x 1 1/4"	19.1	21.4	30	55	51	0.031	0.042
1 1/4" x 1 1/2"	21.4	21.4	33	60	58	0.036	0.048
1 1/2" x 2"	21.4	25.7	34	75	72	0.065	0.080
2" x 2 1/2"	25.7	30.2	38	90	89	0.105	0.138
2 1/2" x 3"	30.2	33.3	44	105	103	0.153	0.208
3" x 4"	33.3	39.3	48	130	130	0.268	0.340

PL71

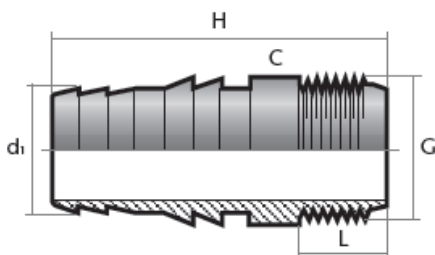
Plugs



G	L	H	C	Kg. ABS	Kg. PVC
3/8"	11.4	23	19	0.005	0.008
1/2"	15.0	29	24	0.009	0.010
3/4"	16.3	30	30	0.013	0.015
1"	19.1	33	36	0.019	0.025
1 1/4"	21.4	39	46	0.034	0.040
1 1/2"	21.4	39	55	0.036	0.045
2"	25.7	43	65	0.066	0.080
2 1/2"	30.2	53	80	0.108	0.137
3"	33.3	58	95	0.163	0.210
4"	39.3	65	120	0.255	0.330

HN61

Hose Adaptors



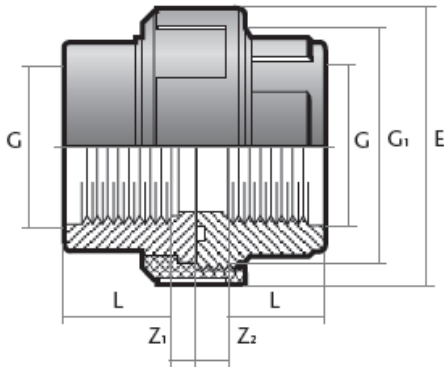
G	d1	L	H	C	Kg. ABS	Kg. PVC
1/4"	12	11	52	19	0.008	0.008
3/8"	16	11.4	64	19	0.015	0.015
1/2"	20	15.0	70	24	0.020	0.020
3/4"	25	16.3	76	30	0.030	0.030
1"	32	19.1	80	36	0.050	0.050
1 1/4"	40	21.4	92	46	0.070	0.070
1 1/2"	50	21.4	99	55	0.118	0.118
2"	60	25.7	118	65	0.190	0.190

Dimensions in mm

This data sheet is designed as a guide and should not be regarded as wholly accurate in every detail. We reserve the right to amend the specification of any product without notice.

UN81

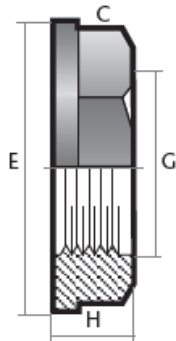
Socket Unions



G	L	Z1	Z2	G1	E	Kg. ABS	Kg. PVC
3/8"	11.4	5.6	12.6	3/4"	67	0.029	0.032
1/2"	15.0	4	11.0	1"	42	0.031	0.045
3/4"	16.3	5.7	12.7	1 1/4"	52	0.051	0.072
1"	19.1	5.9	12.9	1 1/2"	59	0.070	0.100
1 1/4"	21.4	7.6	16.6	2"	72	0.109	0.160
1 1/2"	21.4	12.6	23.6	2 1/4"	79	0.176	0.220
2"	25.7	15.3	30.3	2 3/4"	96	0.293	0.400
2 1/2"	30.2	16.8	31.8	3 1/2"	119	0.470	0.635
3"	33.3	22.7	35.7	4"	134	0.610	0.850
4"	39.3	26.7	39.7	5"	163	0.970	1.260

NU91

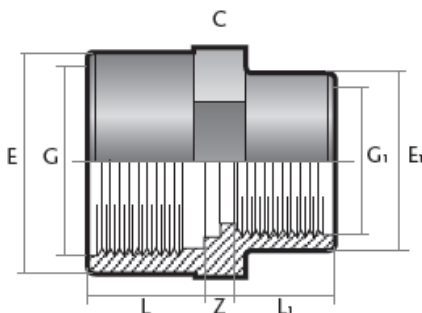
Back Nuts



G	E	H	C	Kg. ABS	Kg. PVC
1/2"	38	13	29	0.009	0.013
3/4"	43	14	34	0.010	0.016
1"	56	16	46	0.021	0.030
1 1/4"	65	18	50	0.024	0.035
1 1/2"	72	19	60	0.036	0.045
2"	94	21	80	0.070	0.090
2 1/2"	115	24	94	0.074	0.180
3"	130	27	108	0.105	0.230
4"	162	30	135	0.150	0.340

RS11

Reducing Sockets



G x G1	L	L1	Z	E	E1	C	Kg. ABS	Kg. PVC
1/2" x 3/8"	15.0	11.4	6	28	23	24	0.014	0.018
3/4" x 1/2"	16.3	15.0	7	34	28	30	0.020	0.024
1" x 3/4"	19.1	16.3	7	42	34	36	0.034	0.041
1 1/4" x 1"	21.4	19.1	8	51	42	46	0.048	0.062
1 1/2" x 1 1/4"	21.4	21.4	8	58	51	55	0.055	0.072
2" x 1 1/2"	25.7	21.4	8	72	58	60	0.092	0.116
2" x 1 1/2"	30.2	25.7	8	89	72	75	0.150	0.128
2 1/2" x 2"	33.3	30.2	9	103	89	105	0.206	0.287
3" x 2 1/2"	39.3	33.3	10	130	103	130	0.324	0.434

Dimensions in mm

This data sheet is designed as a guide and should not be regarded as wholly accurate in every detail. We reserve the right to amend the specification of any product without notice.