

V-FLOW

SOLUTIONS LTD



COMPARATO®

SINTESI & SINTESI PRO

OPERATING & INSTALLATION MANUAL

Sintesi & Sintesi PRO Operating and Installation Manual



Technical Features:

Electric motor – Bidirectional
Power supply: 230v, 24v 50/60 Hz
Operating speed: 90°: 35 sec / 8 Nm
 90°: 15 sec / 5 Nm
 90°: 10 sec / 3 Nm
 (Sentesi) 90°: 45 sec / 8 Nm

Maximum power consumption: 3.9VA

Degree of protection: IP54

Maximum power output of auxiliary micro switches: 1A, resistive

Ambient temperature range: -10°C max. 50°C

Incorrect installation of the Sintesi actuator can put the unit at risk of damage, please follow these instructions.

Electrical connections:

Electrical connections must be carried out by a qualified electrician.

Before making any electrical connections it is essential that the power supply is isolated. To access the terminal strip and printed circuit board it is necessary to remove the cover of the actuator by undoing the four screws. Remove the cable gland plug and screw in the cable gland. Wire actuator as indicated on the wiring diagram supplied. Ensure that the cable is correctly installed and the gland is suitably tightened, please also ensure that the actuator cover is refitted correctly and the seal is not pinched before tightening.

Electrical Features:

When installing the Sintesi actuator it is important to ensure that the correct model is being used, taking into account the environment and ambient temperatures. If the unit is to be installed outdoors or in a cold and damp environment we recommend that the optional anti-condensation heater is fitted. If you are unsure please contact the technical department for advice.

Please ensure that all equipment is suitably earthed and the correct thermo-magnetic switches/fuses and circuit breakers are used in order to guarantee safe operation and to comply with safety regulations.



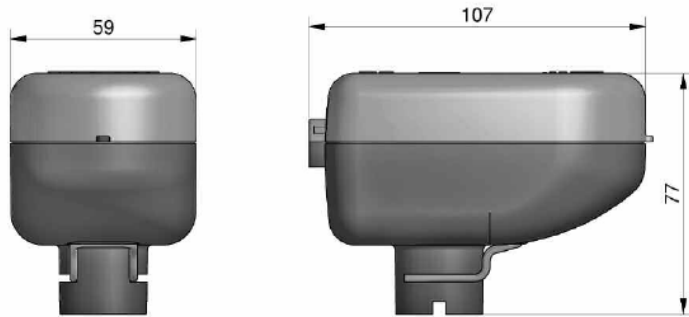
The Sentesi and Sintesi PRO actuator has a “push fast” connection system with the valve allowing an extremely fast and reliable connection. These features make the installation and maintenance operations easy and fast to do. The Sintesi actuator does not have modulating abilities. Only available with a 2 point connection.

Sintesi & Sintesi PRO Operating and Installation Manual



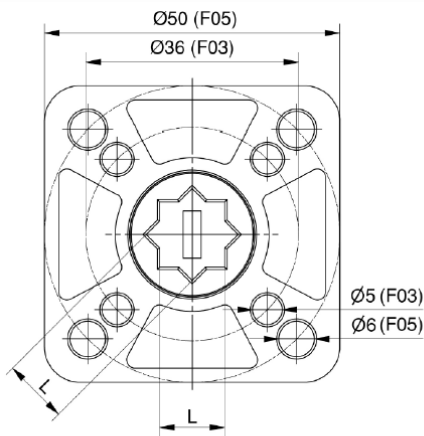
Actuator Dimensions

SINTESI PRO Standard Design with Quick Release Connection



The Sintesi actuator is not available with a position indicator

SINTESI PRO Fitted with Quick Release ISO 5211 Connection Kit



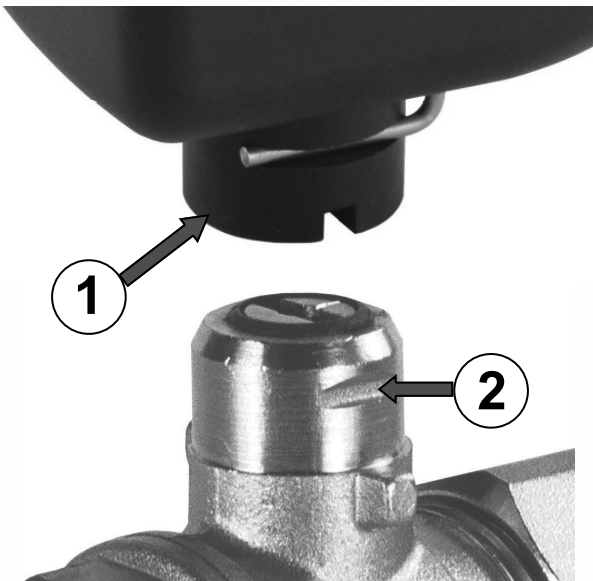
Attacco ISO	L
F03	9
F05	11



ACTUATOR—VALVE ASSEMBLY INSTRUCTIONS



Rotate the actuator and ensure the rectangular shaft of the actuator aligns with the groove on the body of the valve. Press the actuator on to the body of the valve until the coupling engages.



COUPLING

1. Coupling Spring
2. Coupling Spring Seat

The 'Coupling Spring' is an integral component of the actuator and **MUST NOT BE REMOVED**

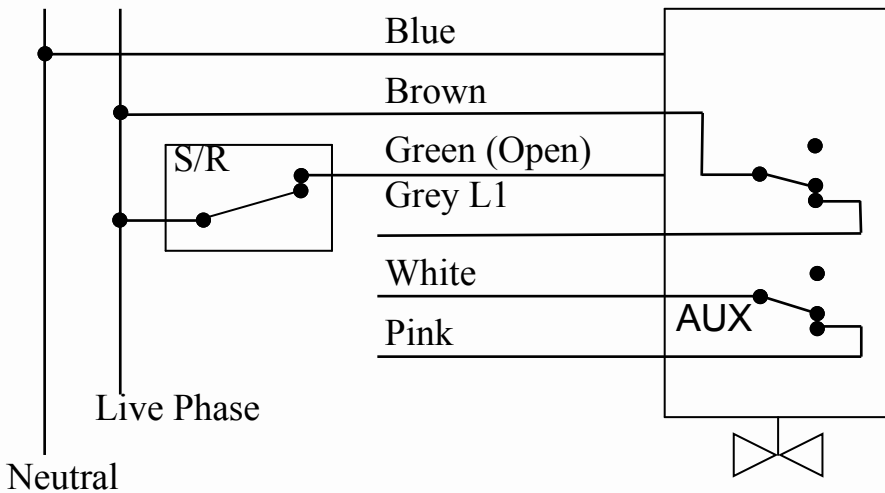
Sintesi & Sintesi PRO Operating and Installation Manual



2 POINT CONTROL : ON/OFF

The wiring diagrams detail the actuator/valve in the open & closed position

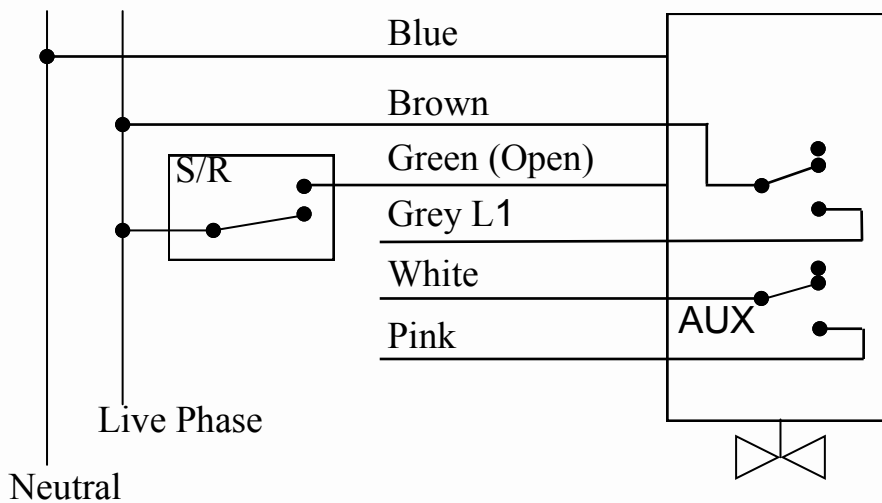
OPEN



The Sintesi actuator is only available with a 2 point connection

S/R = Switch/Relay AUX = Auxiliary Micro

CLOSED

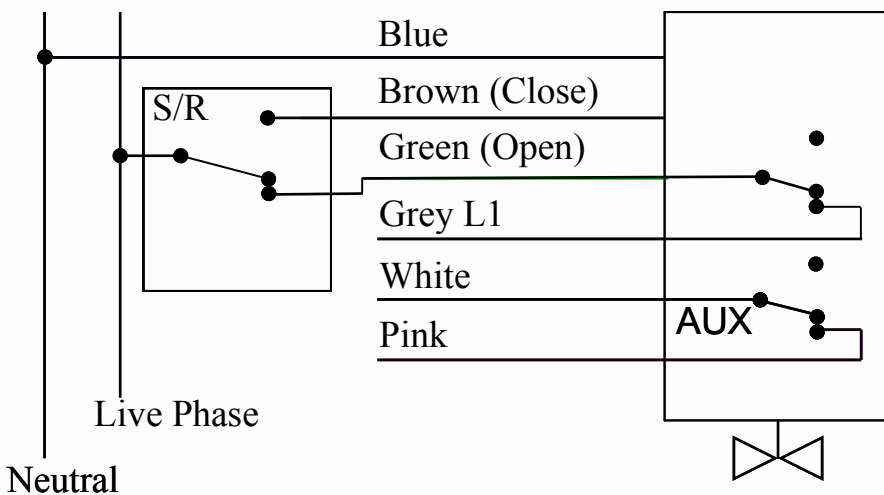


LIVE Phase on the GREEN wire OPENS the valve
 Removal of the LIVE Phase on the GREEN wire CLOSES the valve
 GREY L1: LIVE Phase when valve is in the OPEN position
 In the event of a mains failure the valve will remain in its current position

3 POINT CONTROL : ON/OFF

The wiring diagrams detail the actuator/valve in the open & closed position

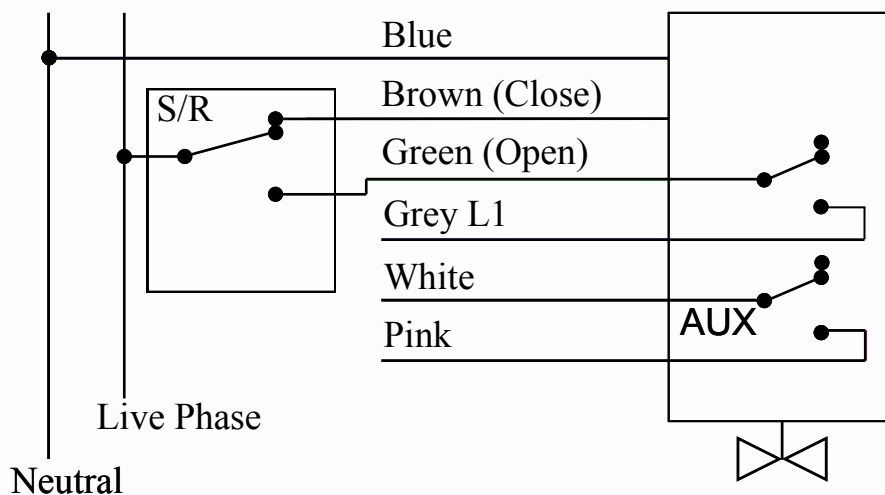
OPEN



The Sentesi actuator is not available with a 3 point connection

S/R = Switch/Relay AUX = Auxiliary Micro

CLOSED



LIVE Phase on the GREEN wire OPENS the valve
 LIVE Phase on the BROWN wire CLOSES the valve
 GREY L1: LIVE Phase when valve is in the OPEN position
 In the event of a mains failure the valve will remain in its current position

V-FLOW

SOLUTIONS LTD

V-Flow Solutions Ltd, 12 Railton Road, Woburn Road Industrial Estate
Kempston, Bedford MK42 7PW, England

Tel: +44 (0)1234 855888 Fax: +44 (0)1234 857775
Email: sales@v-flowsolutions.co.uk Website: www.v-flowsolutions.co.uk