

Manual 2-Way ABS/PVC Plastic Ball Valve

BVI 13 / BVI 33

SPECIFICATIONS & OPTIONS

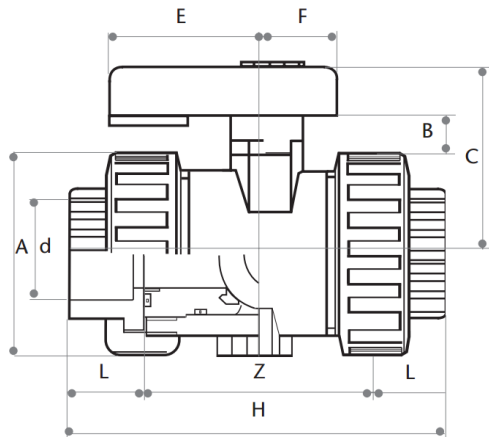


Specifications;

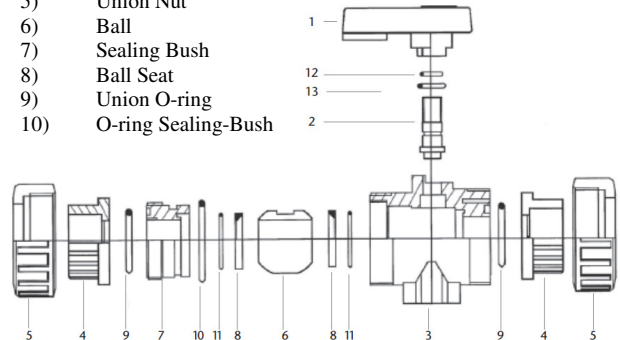
- Industrial Double Union Valve Solvent Weld Ends
- Available in ABS or PVC
- ABS - 15 bar (3/8" to 2"), 9 bar (2 1/2" to 4")
- PVC - 16 bar (3/8" to 2"), 10 bar (2 1/2" to 4")
- Sizes from 3/8" to 4"
- Temperature -20°C to + 80°C (ABS)
0°C to + 60°C (PVC)
- EPDM Seals (BVI 13 PVC & ABS)
- FPM (Viton) Seals (BVI 33 PVC & ABS)

BVI 13 / BVI 33 DIMENSIONS

Measurements in mm



- | | | | |
|-----|---------------------|-----|-------------------|
| 1) | Handle | 11) | O-ring Ball Seat |
| 2) | Stem | 12) | O-ring Stem |
| 3) | Body | 13) | Stem O-ring Inner |
| 4) | Union End | | |
| 5) | Union Nut | | |
| 6) | Ball | | |
| 7) | Sealing Bush | | |
| 8) | Ball Seat | | |
| 9) | Union O-ring | | |
| 10) | O-ring Sealing-Bush | | |



d	L	Z	H	A	B	C	E	F	Kg. ABS	Kg. PVC
3/8"	14	62	101	50	10	48	39	19	0.145	0.180
1/2"	16	62	101	50	10	48	39	19	0.135	0.170
3/4"	19	74	120	60	11	54	47	22	0.212	0.265
1"	22	77	130	68	13	62	55	25	0.301	0.370
1 1/4"	26	87	149	80	18	75	60	30	0.436	0.545
1 1/2"	31	93	165	96	20	87	68	35	0.708	0.885
2"	38	113	199	116	20	101	80	40	1.152	1.440
2 1/2"	44	116	217	145	25	123	90	45	1.840	2.300
3"	51	130	250	166	28	138	100	50	2.924	3.650
4"	61	150	292	210	28	160	120	60	4.800	6.000