

C200 PVC-U / PP / PVDF Ball Valve

C200 Features

C200 full bore 2 way plastic ball valve has a maximum pressure rating PN16. Allows the isolation of water or acidic fluid in low pressure applications. Fitted with PTFE seat as standard. The valve can be manually operated via a hand lever which is supplied as standard. Valves are equipped with stainless steel mounting Inserts. The C200 can be adapted to fit both electric or pneumatic actuators.



Material Options

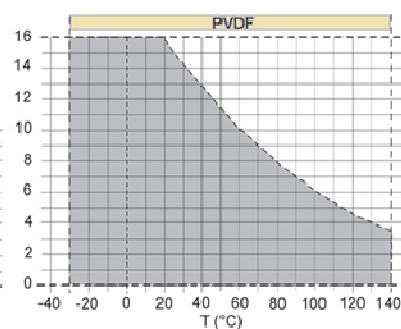
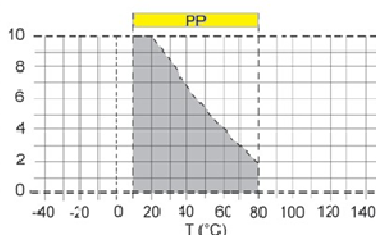
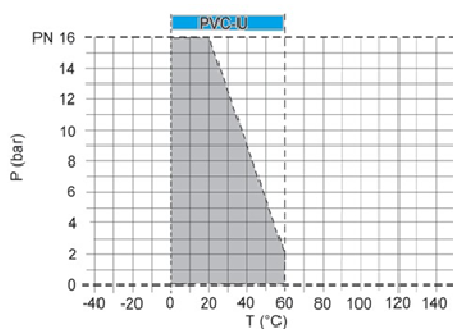
Ref.	BODY	SEAL
5100AC- - -*	PVC-U	EPDM
5101AC- - -*	PVC-U	FPM (Viton)
5110AC- - -*	PP	EPDM
5111AC- - -*	PP	FPM (Viton)
5121AC- - -*	PVDF	FPM (Viton)



* - DN of the Valve (e.g. Valve C200 PVC-U/FPM DN25 code 5101AC025)

Size: DN10 to DN50 (Only available in version PVC-U version DN10) double union female connections according to DIN/ISO

Parameters



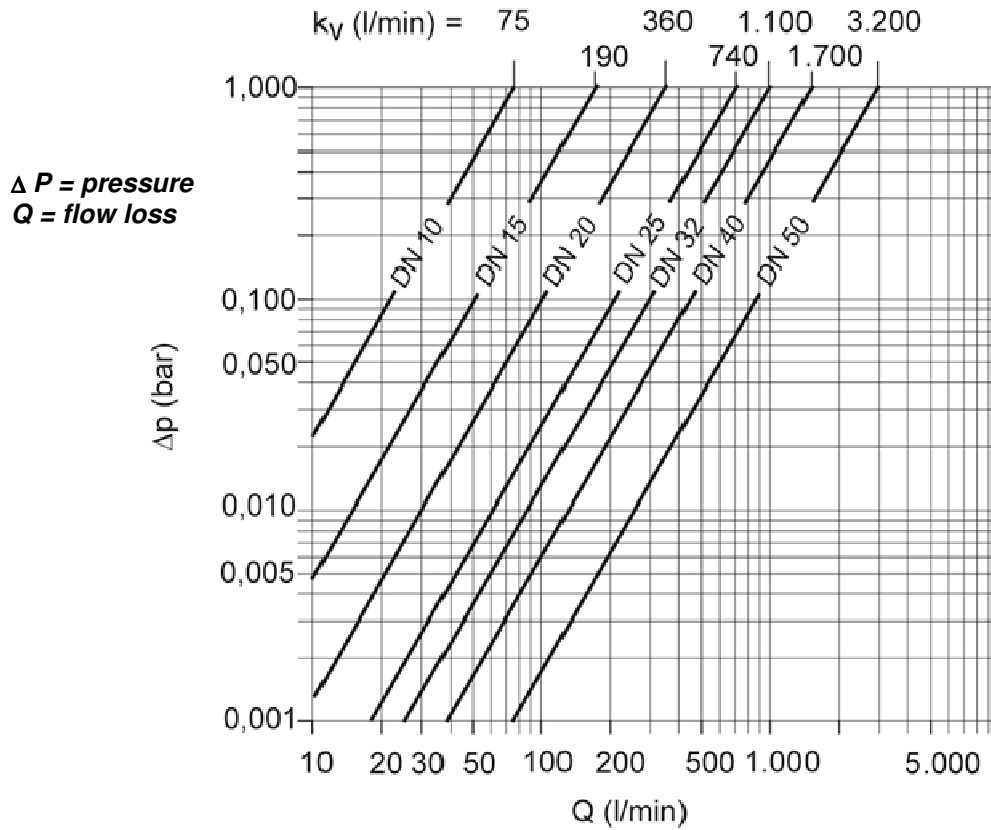
Pressure/Temperature rating for water and harmless fluids to which the material is resistant. In other cases a reduction of the PN is required (25 years with safety factor). Versions for use on temperatures below 0°C (+ 10°C in PP) also available.

Options

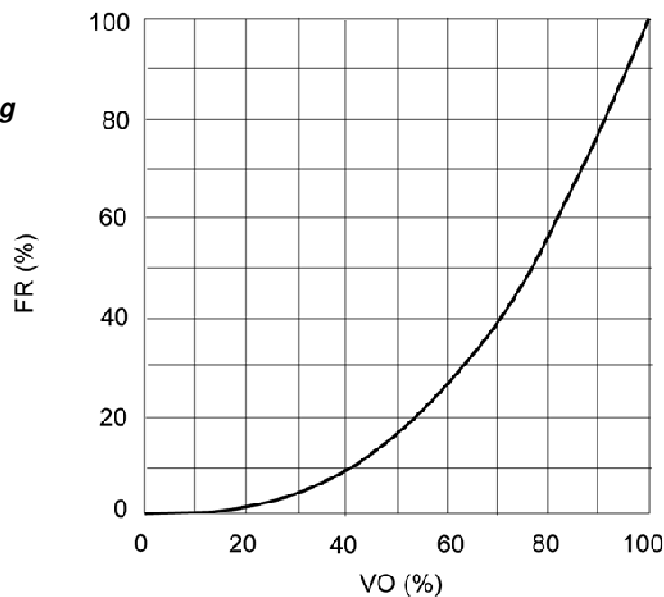
Threaded connection, spigot ends PE or PP, flanges DIN/ANSI end mechanical or inductive limit-switch box. Handle extensions (100 mm standard, other lengths on request)

Hydraulics Characteristics

Pressure loss curve (indicative value for H₂O at 20°C)



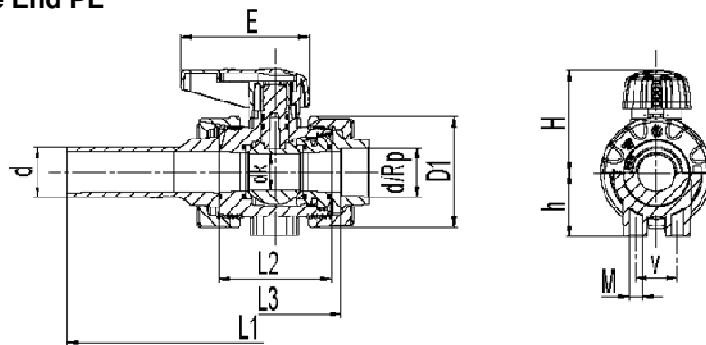
VO = Valve Opening
FR = Value Kv



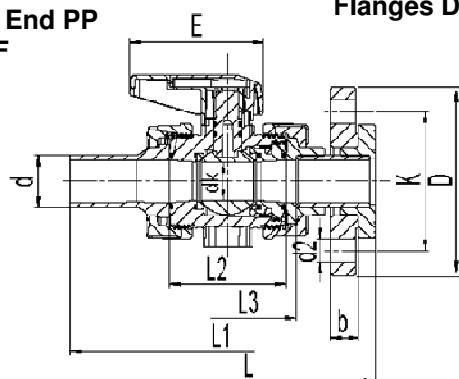
Dimensions (mm)

d (mm)	16	20	25	32	40	50	63
DN	10	15	20	25	32	40	50
Rp	-	1/2	3/4	1	1 1/4	1 1/2	2
b (PEGF)	-	12	14	15	17	17	18
d2 (PE GF)	-	14	14	14	18	18	18
E	66	66	81	81.5	91.5	91.5	143
h	27	27	30	40	46	55	70
H	48	48	56.5	65	65	89.5	115
K	-	65	75	85	100	110	110
L	-	150	170	180	210	230	278
L1 (PP/PVDF)	-	130.8	143.6	151.6	171.6	191.8	222
L1 (PE)	-	236.5	245	251	265	269	281
L2	56.5	56.5	65.5	71	85	89	101
L3 PVC	68	68	72	84	100	107	118
L3 PP	64	63	72	79	94	96	108
L3 PVDF	67.5	67.5	77	83	99.5	105	118
M	M5	M5	M5	M6	M8	M8	M8
V	25	25	25	26	45	45	45

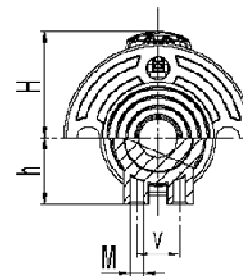
Male End PE



Male End PP PVDF



Flanges DIN/AISI



Construction

	ITEM	C200 PVC-U	C200 PP	C200 PVDF
1	Body	PVC-U	PP	PVDF
2	Ball	PVC-U	PP	PVDF
3	Stem	PVC-U	PP	PVDF
4	Ball Seat	PVC-U	PP	PVDF
5	Handle	ABS	ABS	ABS
6	End Connector	PVC-U	PP	PVDF
7	Nut Union	PVC-U	PP	PVDF
8	Ball Seal	PTFE	PTFE	PTFE
9	Shaft Seal	EPDM or FPM	EPDM or FPM	FPM
11	Seal of Union	EPDM or FPM	EPDM or FPM	FPM
12	O-ring	EPDM or FPM	EPDM or FPM	FPM
14	O-ring	EPDM or FPM	EPDM or FPM	FPM
15	Locking Handle	ABS	ABS	ABS

