

PL1 PVC-U/PP Butterfly Valve

PL1 Features

The PL1 Butterfly valve is suitable for use in isolated water or acidic fluid applications in low pressure applications. Valve is reinforced with PP, pressure rating PN10. Toothed and padlockable handle allows the locking of the valve in different positions. The materials used are treated with anti-UV protection. The PL1 is equipped with an ISO 5211 mount for actuated applications.



Material Options

Ref.	BUTTERFLY	BODY	SEAL
5300SW- - *	PP-GF	PVC-U	EPDM
5301SW- - *	PP-GF	PVC-U	FPM (Viton)
5310SW- - *	PP-GF	PP	EPDM
5311SW- - *	PP-GF	PP	FPM (Viton)

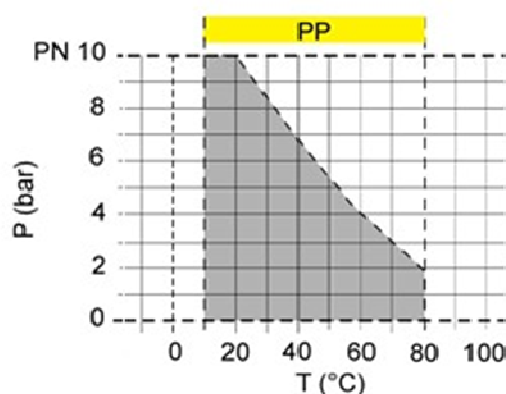
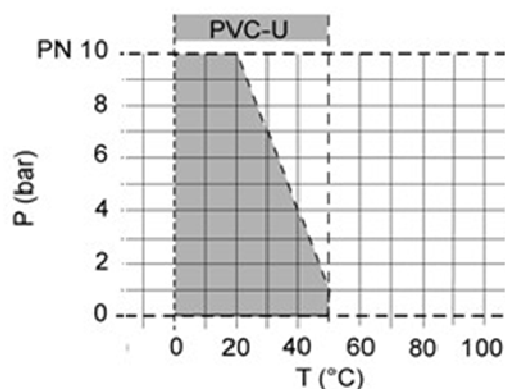


* - DN of the Valve (Faucet PL1 PVC-U/FPM DN25 code 5301SW025)

Size: DN40 to DN200

Size: DN250 to DN300 version PVC-U EPDM connection cuff between flanges according to DIN2501 PN10/16 (or ANSI150)

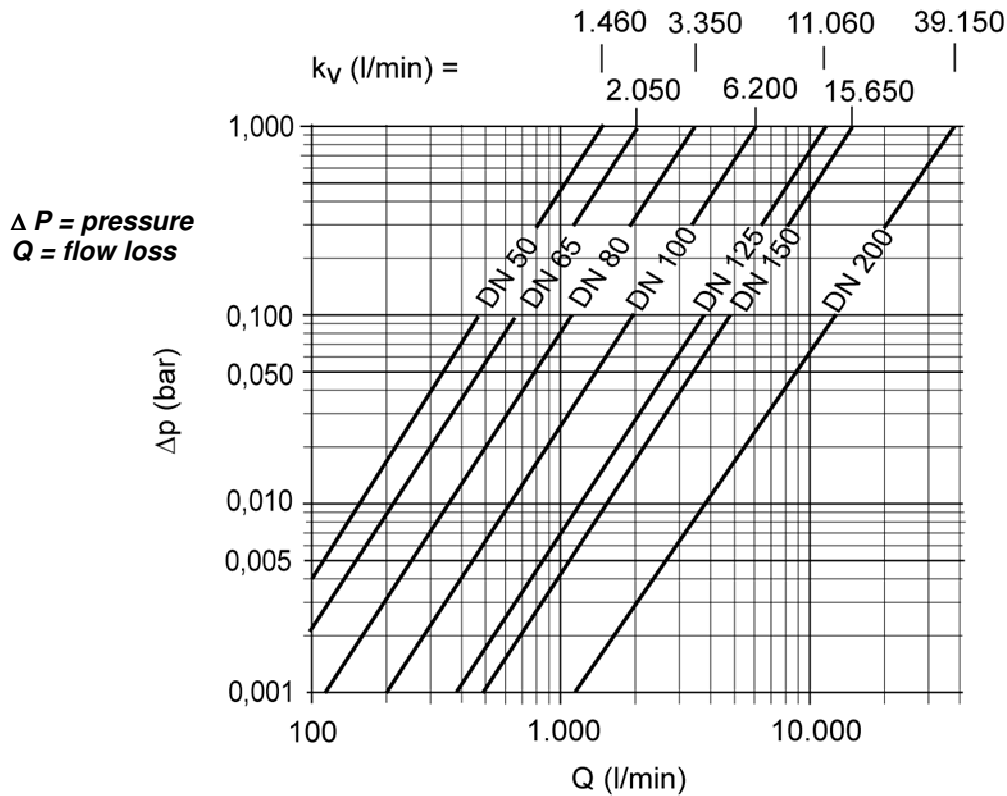
Parameters



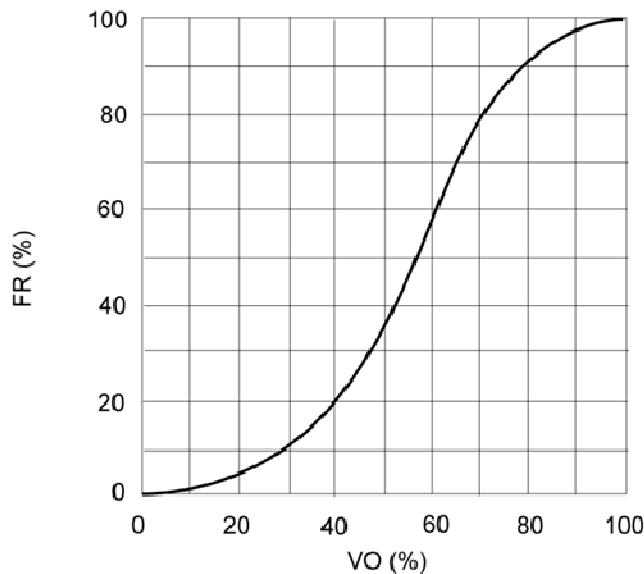
Pressure/Temperature rating for water and harmless fluids to which the material is resistant. In other cases a reduction of the PN is required (25 years with safety factor). Versions for use on temperatures below 0°C (+ 10°C in PP) also available.

Flow Rates

Pressure loss curve (indicative value for H₂O at 20°C)



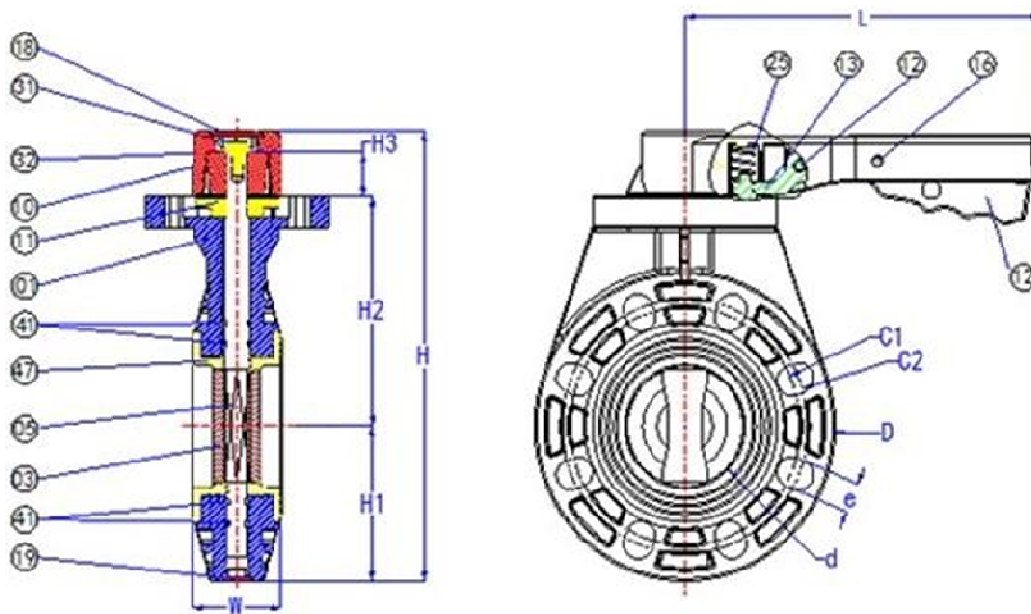
VO = Valve Opening
FR = Value Kv



Dimensions (mm)

DN	d	C1	C2	H	H1	H2	H3	D	W	L	n*-e
40	40	98	110	228	74	114	15	148	34	231	4-19
50	52	120	125	245	81	124	15	162	44	231	4-19
65	66	140	145	259	89.5	129	19	179	46	231	4-19
80	78.5	150	160	283	97.5	145	18	195	57	231	8-19
100	104	175.5	190.5	313	112.5	160	19	225	60	231	8-19
125	127	210	216	348	127.5	175	16	255	66	280	8-23
150	151	240	241	375	140	190	20	280	72	280	8-23
200	200	290	298	434	172.5	219.5	25	340	82	280	8-23

n*=Number of hole



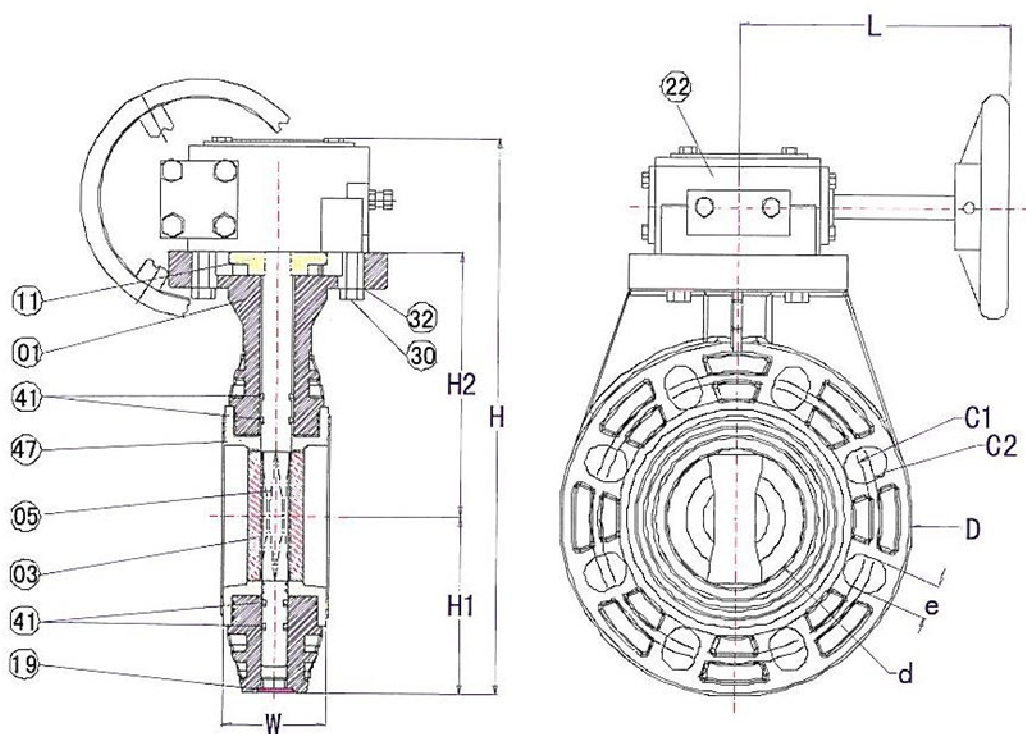
Construction

n°	Item	PL1 PVC-U	PL1 PP	n°	Item	PL1 PVC-U	PL1 PP
01	Body	PVC-U	PP	18	Cap	ABS	ABS
03	Butterfly	PP-GF	PP-GF	19	Cap	PP	PP
05	Shaft	S.Steel 1.4301	S.Steel 1.4301	25	Spring	S.Steel 1.4301	S.Steel 1.4301
10	Handle	ABS	ABS	31	Screw	S.Steel 1.4301	S.Steel 1.4301
11	Shaft Ring	PVC-U	PP	32	Washer	S.Steel 1.4301	S.Steel 1.4301
12	Trigger	PVC-U	PP	41	Shaft Seals	EPDM/FPM	EPDM/FPM
13	Latch	PVC-U	PP	47	Cuff	EPDM/FPM	EPDM/FPM
16	PIN	ABS	ABS				

Dimensions (mm) Version DN250-DN300

DN	d	C1	C2	H	H1	H2	D	W	L	n*-e
250	251	350	362	537	205	257	410	92	199	12-25
300	290	400	431.5	628.5	242.5	302	485	98	250	12-25

n*=Number of hole



Construction

n°	Item	PL1 PVC-U	n°	Item	PL1 PVC-U
01	Body	PVC-U	22	Gear Box	Steel
03	Butterfly	PP-GF	30	Screw	S.Steel 1.4301
05	Shaft	S.Steel 1.4301	32	Washer	S.Steel 1.4301
11	Shaft Ring	PVC-U	41	Shaft Seals	EPDM
19	Cap	PP	47	Cuff	EPDM