

Sanitary Stainless Steel Tap Valves

Mod. 2918

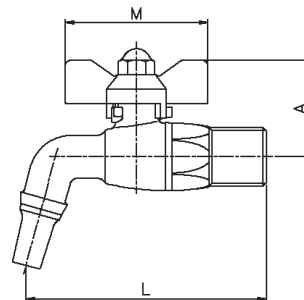
● Barrel ball valve

Stainless steel PN-16 ball valve. Reduced bore. Stainless steel body AISI 316. Gas male threaded inlet ISO 228/1. Butterfly handle operated. Max. temp. 100°C.



CODE	SIZE	WEIGHT kg
2918 03	3/8"	0.185
2918 04	1/2"	0.174
2918 05	3/4"	0.331

R	PN	A	L	M
3/8"	16	34	85	50
1/2"	16	34	85	50
3/4"	16	43	106	63



Mod. 2919

● Ball valve for cellar

Stainless steel PN-16 ball valve. Reduced bore. Stainless steel body AISI 316. Male conical threaded inlet. Butterfly handle operated. Max. temp. 100°C.



CODE	SIZE	WEIGHT kg
2919 04	1/2"	0.186
2919 05	3/4"	0.380

R	PN	A	L	M
1/2"	16	34	97	50
3/4"	16	43	130	63

