

# Sanitary Stainless Steel Diaphragm Valves



## Mod. 2945

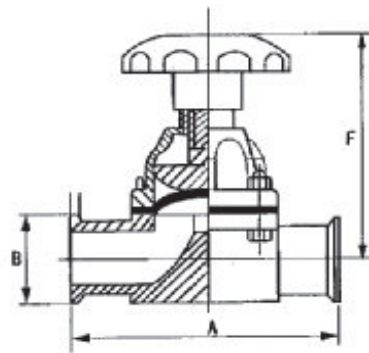
### ● Diaphragm valve clamp ends

Stainless steel body AISI 316L. Silicone diaphragm. Clamp ends in inches. Sanitary polish. Max. working pressure: 10 bar, Max. temp: 95°C. Manually operated.



CODE	SIZE	WEIGHT kg
2945 04	1/2"	0.68
2945 05	3/4"	0.653
2945 06	1"	1.2
2945 08	1 1/2"	2.6
2945 09	2"	3.3

MED	A	B	F
1/2"	99.6	25.4	92/106
3/4"	99.6	25.4	92/106
1"	129	50.5	110/123
1 1/2"	159	50.5	139/159
2"	191	64	159/186



## Mod. 2946

### ● Diaphragm valve clamp ends pneumatically operated. Spring return actuator N.C.

Body valve: stainless steel body 316L (art. 2945). Actuator: stainless steel body 304. Clamp ends in inches. Sanitary polish. Pneumatically operated at 5 bar.



CODE	SIZE	WEIGHT kg
2946 06	1"	2.4
2946 08	1 1/2"	4.8
2946 09	2"	6.0

MED	A	B	C
1"	180	129	50.5
1 1/2"	220	159	50.5
2"	250	191	64

