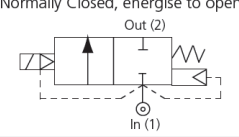


ACD Series – 2/2 Normally Closed

Specifications	
Function	Normally Closed, energise to open 
Maximum Viscosity	115 SSU
3/8" - 1" Body Material (Std)	Brass CZ122
1 1/4" - 2" Body Material (Std)	Bronze
Flange Tube	Stainless Steel 303
Plunger and Top Stop	Stainless Steel 430FR
Springs	Stainless Steel 302
Seal Material (Std)	NBR
Connection Type (Std)	BS21
Shading Ring	Copper (std), Silver (stainless steel option)
Electrical Characteristics	
Coil Voltage DC (-)	12 V, 24 V, 110 V
Coil Voltage AC 50 Hz (-)	24 V, 110 V, 120 V, 230 V
Coil Voltage AC 60 Hz (-)	24 V, 110 V, 120 V, 220 V
Voltage Tolerance	+10% or -10%
Duty Cycle	100% ED
Protection Class (Std)	IP65 (BS EN 60529) (plug supplied as standard)
Electrical Connection (Std)	PG9 Din Connector DIN 43650/ISO 4400 (EN 175301-803) Form 'A'
Coil Insulation	Class H (BS EN 60085) 180 °C (E5 Type)
Power Rating	14.5 Watts, 19 VA

Features and Benefits

- Two way shut-off valves for the control of gases and liquids compatible with max viscosity and materials
- Zero bar minimum operating pressure
- Satisfy all relevant EC directives
- Suitable for vacuum applications when fitted with FKM seals (10-3 TORR) 0 rated options only
- Robust Valve Design
- Diaphragm Operation
- Fully Ported Orifices for high flow
- Choice of valve body material and seals
- Sizes 3/8" to 1" WRAS approved when used with EPDM seals
- Response time 1" 15-60 ms
- Response time 2" 60-120 ms
- EN264 for fuel oils



WRAS
Water Regulations Advisory Scheme

Pipe Size	Cv (gpm)	Kv (m ³ /h)	OPD (Bar)		P. Max Bar	Orifice (mm)	Weight (kg)
			AC Voltages	DC Voltages			
3/8"	3.5	3.0	0-14	0-10.3	50	16.00	0.90
1/2"	4.9	4.2	0-14	0-10.3		16.00	0.90
3/4"	5.4	4.7	0-14	0-10.3		16.00	0.90
1"	8.2	7.0	0-14	0-10.3		20.00	1.20
1 1/4"	26.7	23	0-4	-		40.00	3.00-3.20
1 1/2"	26.7	23	0-4	-		40.00	3.00-3.20
2"	30.16	26	0-4	-		40.00	3.00-3.20
1 1/4" ²	26.7	23	0.3-10	0.3-10		40.00	3.00-3.20
1 1/2" ²	26.7	23	0.3-10	0.3-10		40.00	3.00-3.20
2" ²	30.2	26	0.3-10	0.3-10		40.00	3.00-3.20

² Pressure assisted to achieve a greater OPD. e.g. code :19G11Z1A1-1A21.

Options Available

Exd & Exm Solenoid Enclosure	
Protection Class	See separate datasheet
EExd T6 (IP67)	
EExd T4 (IP67)	
Exm T5 (IP65)	

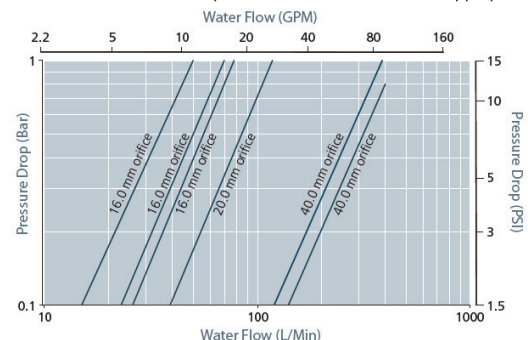
Seal Material ¹ and Media Temp. Range	Ambient Temperature Range °C	
	Min	Max
NBR (-10 °C to +80 °C)	-10	50
EPDM (-50 °C to +120 °C)	-10	50
FKM (-20 °C to +150 °C)	-10	50

¹ See corrosion reference guide and sealing solutions for material compatibility.

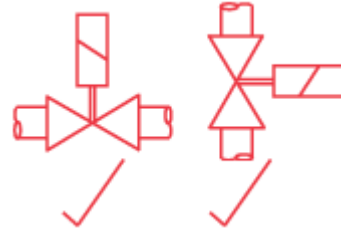
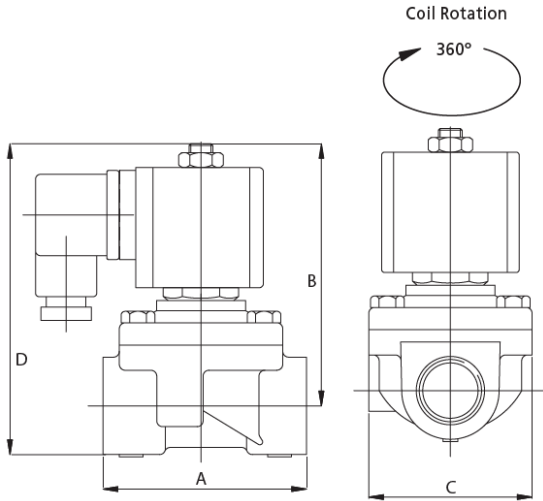
Main Valve Body Options	
Stainless Steel 316 (available up to and including 1")	
NPT threads	
Flanged Option (PN16 Std) for alternative flange options consult Rotork Midland	
Manual Override	
Oxygen cleaning (consult Rotork Midland for product code)	

How to use the flow chart

1. Select the required flow.
2. Note the corresponding pressure drop.
3. Based on where the two points intersect select the most appropriate model.



Preferred Valve Mounting Options



Dimensions

Pipe Size	A	B	C	D
3/8" - 3/4"	69.5	88	75	104
1"	85	90	75	112
1 1/4" - 2"	137	103	120	152

Dimensions given in mm
Stainless steel option dimensions vary from table - consult factory.

Solenoid enclosures



E5 Type enclosure protection class IP65

- External material: Glass reinforced nylon
- Electrical connection: DIN Plug to ISO 4400
- Winding insulation: Class H
- Enclosure: Conforms to IP65 when correct plug gasket is fitted as supplied

Coding chart

Main Valve Assembly

Model	Valve Body Conn. Size	Connection Type	Operation	Body Material	Seals	Style	Enclosure	Voltage / Frequency	Electrical Connection
17	C 3/8"	1 BS21	1 AUTO	1 Brass (standard on valves up to and including 1")	A NBR	1 Standard	1 Weather proof IP65	A1 230 V / 50 Hz	1 DIN plug 9 mm
18	D 1/2"	2 BSP G (1 1/4" and above)	2 MANUAL OVERRIDE		B EPDM			A2 110 V / 50 Hz & 120 V / 60 Hz	
19	E 3/4"	3 NPT			2 Bronze (standard on valves above 1")			C RKM	
	F 1"			4 FLANGED (PN16 STD)		A7 220 V / 50 Hz			
	G 1 1/4"	5 316 Stainless Steel (option available up to and inc 1")		B2 24 VDC					
	H 1 1/2"			B3 12 VDC					
J 2"		B5 110 VDC							
<p>• • • • Z • • 1 - 1 •• 1</p>									

³ '0' pressure rated options are not available in DC voltage above 1".

Product coding example:

17G21Z2A1-1A11 - ACD Series
1 1/4" BSPG, auto operation, bronze body, NBR seals, 230 V / 50 Hz DIN Plug 9 mm.