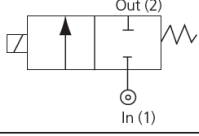


GB Series: 1¼" to 2" – 2/2 Normally Closed

Specifications	
Function	Normally closed, energise to open 
Body Material (Std)	Aluminium
Flange Tube	Stainless Steel 303
Plunger and top stop	Stainless Steel 430FR
Springs	Stainless Steel 302
Seal Material (Std)	NBR
Connection Type (Std)	BS21
Shading Ring	Copper
Electrical Characteristics	
Coil Voltage DC (=)	12 V, 24 V, 110 V
Coil Voltage AC 50 Hz (~)	24 V, 110 V, 120 V, 230 V
Coil Voltage AC 60 Hz (~)	24 V, 110 V, 120V, 220 V
Voltage Tolerance	+10% or -10%
Duty Cycle	100% ED
Protection Class (Std)	IP65 (BS EN 60529) (plug supplied as standard)
Electrical Connection (Std)	PG9 Din Connector DIN 43650/ISO 4400 (EN 175301-803) Form 'A'
Coil Insulation	Class H (BS EN 60085) 180 °C (E5 Type)
Power Rating	1 ¼" - 2" (34 watt)

Features and Benefits

- Approved for mains gas safety shut off
- Suitable for automatic burners
- Suitable for fire protection systems
- Ideal for low pressure Natural gas
- Approved to EN161
- Compliant with Gas Appliance directive
- Fully ported orifices for high flow
- Zero pressure rated
- Optional pressure test points
- Suitable for 1st, 2nd and 3rd family gases
- Suitable for LPG
- Response time up to 1¼" 60-120 ms
- Panic buttons & electro thermal links available for controlling valve



Pipe Size	Cv (gpm)	Kv (m³/h)	OPD (mBar)		P. Max Bar	Orifice (mm)	Weight (kg)
			AC Voltages	DC Voltages			
1¼"	38.3	33	0-50	0-50	1	40.00	3.08
1½"	38.3	33	0-50	0-50		40.00	3.08
2"	38.3	33	0-50	0-50		40.00	3.08

Options Available

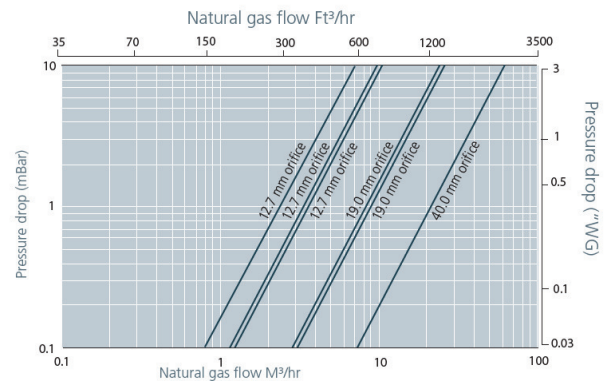
Seal Material ¹ and Media Temp. Range	Ambient Temperature Range °C	
	Min	Max
NBR (-10 °C to +80 °C)	0	60

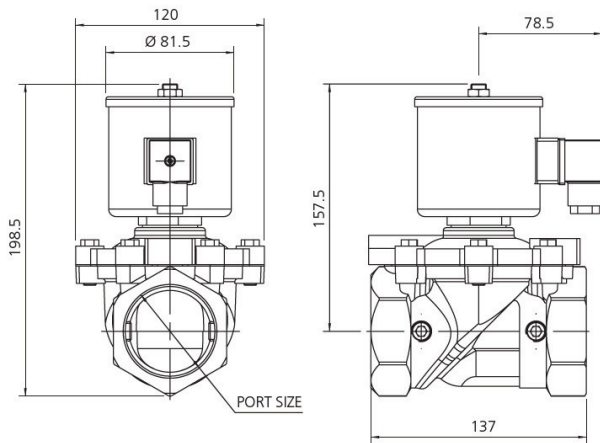
¹ See corrosion reference guide and sealing solutions for material compatibility.

Main Valve Assembly Options
NPT Threads
Stainless steel tagging

How to use the flow chart

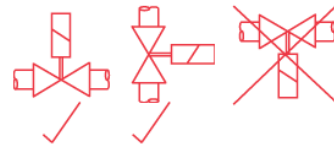
1. Select the required flow.
2. Note the corresponding pressure drop.
3. Based on where the two points intersect select the most appropriate model.





Dimensions given in mm

Preferred Valve Mounting Options



Solenoid enclosures



S50 enclosure protection class IP65

- External material: Pressed steel
- Electrical connection: DIN Plug to ISO 4400
- Winding insulation: Class H
- Enclosure: Conforms to IP65 when correct plug gasket is fitted

Coding chart

Main Valve Assembly

Model		Valve Body Conn. Size		Connection Type		Operation	
34	GB	G	1 1/4"	1	BS21	1	AUTO
		H	1 1/2"	3	NPT		
		J	2"				

Body Material		Seals		Style	
3	Aluminium	A	NBR	1	Standard

Coil options

Enclosure	Voltage/Frequency/Electrical Connection	
1 Weather proof IP65	N13	230 V / 50 Hz / PR1 AC Voltage
	N23	110 V / 50 Hz / PR1 AC Voltage
	N41	24 VDC / Din plug 9mm DC Voltage

34	•	•	1	Z	3	A	1	-	1	•••
----	---	---	---	---	---	---	---	---	---	-----

Product coding example:

34H11Z3A1-1N13 - GB Series
1 1/2" BS21, auto operation, aluminium, NBR seals, 230 V / 50 Hz PR1.