

N262/263 Series, Eex – 2/2 Normally Closed

| Specifications | |
|------------------------------------|--|
| Function (single acting) | <p>Flow direction overseat 1 → 2</p> |
| Maximum Viscosity | Max. 21cST (3 °E) |
| Body Material (Std) | Brass CW617N (EN 12165) |
| Orifice Material | Stainless Steel 1.4305 EN 10088 (AISI 303) |
| Armature Tube | Stainless Steel solenoid grade |
| Plunger and Top Stop | Stainless Steel solenoid grade |
| Seal Material (Std) | FKM |
| Connection Type (Std) | G parallel thread (ISO 228-1) |
| Coil Characteristics | |
| Standard Coil Voltage DC (=) | 24 V |
| Standard Coil Voltage AC 50 Hz (-) | 24 V, 110 V, 230 V |
| Standard Coil Voltage AC 60 Hz (-) | 24 V, 120 V |
| Voltage Tolerance | +10% to -10% (AC/ DC) |
| Duty Cycle | 100% ED |
| Protection Class | EEx m II 2GD T4 (IP65 - EN 60529) |
| Cable type | H05V2V2-F 3G1 |
| Coil Insulation | Class F to EN 60730 |

Features and Benefits

- Direct Acting
- Robust construction for industrial applications
- Fitted with explosion-proof operator and coil class EEx m II 2GD T4
- The valve are supplied with a 3 m power cable entry, wired on a non-removable plug
- Wide range of available orifices (max. Ø3 mm)



⚠ WARNING

The Ex approval is only valid for complete solenoid valves supplied ex factory (replacing the solenoid doesn't make a valve explosion-proof!).

Repairs may be performed by the manufacturer only, spare parts are not available (a valve is a closed system according to Directive 2014/34/UE).

| Pipe Size | Cv (gpm) | Kv (m³/h) | OPD (bar) | | Orifice (mm) | Seal Material | Valve Code |
|-----------|----------|-----------|-------------|-------------|--------------|---------------|------------|
| | | | AC Voltages | DC Voltages | | | |
| ¼" | 0.09 | 0.08 | 0 - 12 | 0 - 12 | 1.5 | FKM | N263DYC |
| ¼" | 0.24 | 0.20 | 0 - 12 | 0 - 12 | 2.5 | FKM | N263DYG |
| ¼" | 0.32 | 0.27 | 0 - 12 | 0 - 10 | 3.0 | FKM | N263DYH |

Options Available

| Valve Options (see coding chart) |
|---|
| Body threaded connection G ½" |
| NPT threads (minimum batch may be required) |

| Solenoid Enclosure | | |
|--------------------|-----------------------------|-------------------|
| Coil | Voltage - Power | Fuse ² |
| N253 | 24 VDC - 10,1 W | 800 |
| N203 ¹ | 24 V / 50/60 Hz - AC 7,2 VA | 800 |
| N403 ¹ | 110 V / 50 Hz - AC 9,1 VA | 200 |
| NK03 ¹ | 120 V / 60 Hz - AC 8,6 VA | 200 |
| N703 | 230 V / 50 Hz - AC 8,5 VA | 100 |

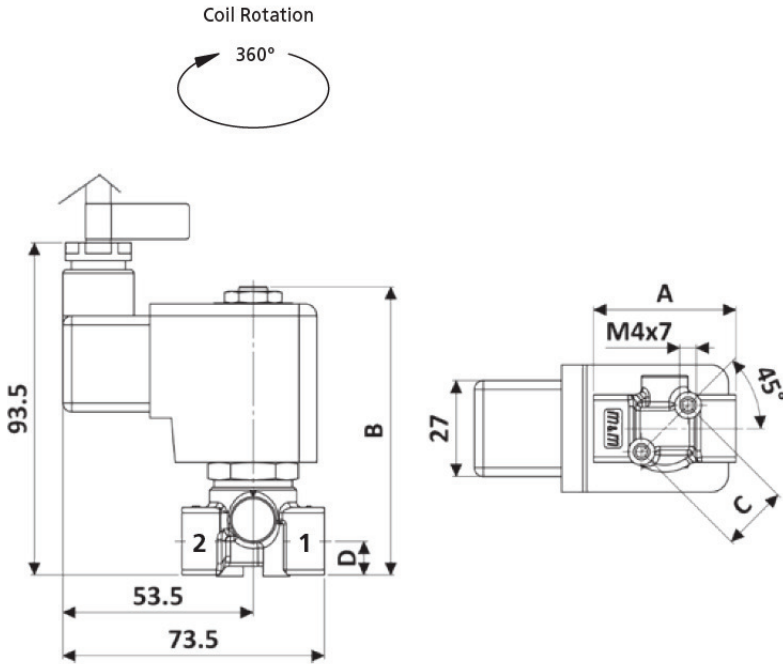
¹ MOQ required.

⚠ SAFETY WARNING

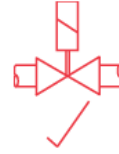
² A mains fuse or equivalent means of protection (breaking value shown on the table above for each coil type) must be installed on the mains supply line. Absence of mains protection is a non conformity to safety standards (EC Directives 2014/34/UE and 1999/92/EC) and could be a potential risk of explosion.

| Seal Material ³ and Media Temperature Range | Media | Ambient Temperature Range | |
|--|-----------------|---------------------------|--------|
| | | Min | Max |
| FKM (-20 °C to +80 °C) | Water, oil, air | -20 °C | +50 °C |

³ See corrosion reference guide and sealing solutions for material compatibility.



Preferred Valve Mounting Options



| Pipe Size | A | B | C | D | Weight (kg) |
|-------------|----|------|------|-----|-------------|
| 1/8" - 1/4" | 40 | 81.1 | 18.5 | 9.5 | - |

Dimensions (mm)

Solenoid enclosures

N--- Type Coil - Insulation class F

- External material: thermoplastic
- Connection type: 3 m wired cable, with ferrules
- Enclosure classification: conforms to IP65 (according to EN 60529)
- Type examination certificates: PTB 03 ATEX 2086 X, IECEx PTB 05.0005X



Coding chart

Main Valve Assembly

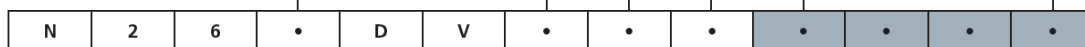
| Pipe Size |
|-----------|
| 2 1/8" |
| 3 1/4" |

| Orifice |
|---------|
| C 1.5 |
| G 2.5 |
| H 3.0 |

| Option |
|------------|
| N NPT |
| w/o option |

Coil options

| Voltage / Frequency - Class F | |
|-------------------------------|-----------------|
| N253 | 24 VDC |
| N203 | 24 V / 50/60 Hz |
| N403 | 110 V / 50 Hz |
| NK03 | 120 V / 60 Hz |
| N703 | 230 V / 50 Hz |



Product coding example:

N262DVH N253
1/8" G, Ex m solenoid operator, brass body, FKM seals, 3.0 mm orifice, 24 VDC.

N298/299 Series, Eex – 2/2 Normally Closed

| Specifications | |
|------------------------------------|--|
| Function (single acting) | <p>Flow direction overseat 1 → 2</p> |
| Maximum Viscosity | Max. 21cST (3 °E) |
| Body Material (Std) | Stainless Steel 1.4305 EN 10088 (AISI 303) |
| Orifice Material | Stainless Steel 1.4305 EN 10088 (AISI 303) |
| Armature Tube | Stainless Steel solenoid grade |
| Plunger and Top Stop | Stainless Steel solenoid grade |
| Seal Material (Std) | FKM |
| Connection Type (Std) | G parallel thread (ISO 228-1) |
| Coil Characteristics | |
| Standard Coil Voltage DC (=) | 24 V |
| Standard Coil Voltage AC 50 Hz (-) | 24 V, 110 V, 230 V |
| Standard Coil Voltage AC 60 Hz (-) | 24 V, 120 V |
| Voltage Tolerance | +10% to -10% (AC/ DC) |
| Duty Cycle | 100% ED |
| Protection Class | EEx m II 2GD T4 (IP65 - EN 60529) |
| Cable Type | H05V2V2-F 3G1 |
| Coil Insulation | Class F to EN 60730 |

Features and Benefits

- Direct Acting
- Robust construction for industrial applications
- Fitted with explosion-proof operator and coil class EEx m II 2GD T4
- The valve are supplied with a 3 m power cable entry, wired on a non-removable plug
- Wide range of available orifices (max. Ø3 mm)



⚠ WARNING

The Ex approval is only valid for complete solenoid valves supplied ex factory (replacing the solenoid doesn't make a valve explosion-proof!).

Repairs may be performed by the manufacturer only, spare parts are not available (a valve is a closed system according to Directive 2014/34/UE).

| Pipe Size | Cv (gpm) | Kv (m³/h) | OPD (bar) | | Orifice (mm) | Seal Material | Valve Code |
|-----------|----------|-----------|-------------|-------------|--------------|---------------|----------------------|
| | | | AC Voltages | DC Voltages | | | |
| ¼" | 0.08 | 0.07 | 0 - 12 | 0 - 12 | 1.5 | FKM | N299D _Y C |
| ¼" | 0.23 | 0.20 | 0 - 12 | 0 - 12 | 2.5 | FKM | N299D _Y G |
| ¼" | 0.32 | 0.27 | 0 - 12 | 0 - 10 | 3.0 | FKM | N299D _Y H |

Options Available

| Valve Options (see coding chart) |
|---|
| Body threaded connection G 1/8" |
| NPT threads (minimum batch may be required) |

| Solenoid Enclosure | | |
|--------------------|-----------------------------|-------------------|
| Coil | Voltage - Power | Fuse ² |
| N253 | 24 VDC - 10,1 W | 800 |
| N203 ¹ | 24 V / 50/60 Hz - AC 7,2 VA | 800 |
| N403 ¹ | 110 V / 50 Hz - AC 9,1 VA | 200 |
| NK03 ¹ | 120 V / 60 Hz - AC 8,6 VA | 200 |
| N703 | 230 V / 50 Hz - AC 8,5 VA | 100 |

¹ MOQ required.

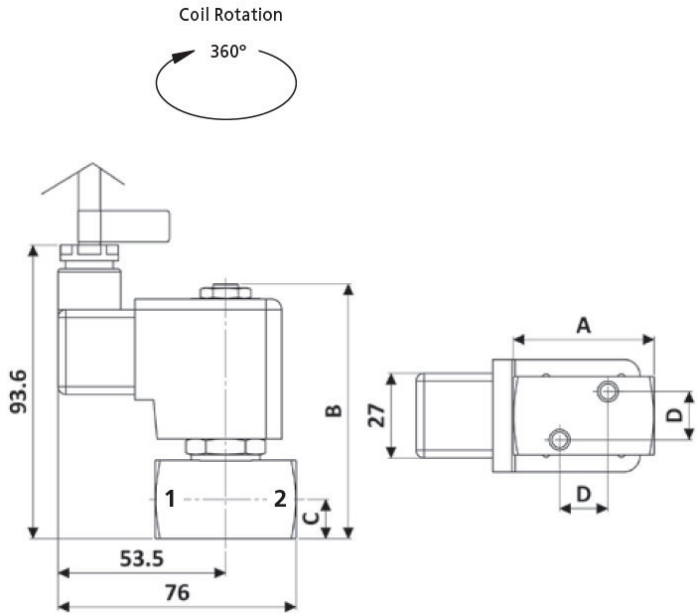
⚠ SAFETY WARNING

² A mains fuse or equivalent means of protection (breaking value shown on the table above for each coil type) must be installed on the mains supply line. Absence of mains protection is a non conformity to safety standards (EC Directives 2014/34/UE and 1999/92/EC) and could be a potential risk of explosion.

| Seal Material ³ and Media Temperature Range | Media | Ambient Temperature Range | |
|--|------------------------------------|---------------------------|--------|
| | | Min | Max |
| FKM (-20 °C to +80 °C) | Water, oil, air, aggressive fluids | -20 °C | +50 °C |

³ See corrosion reference guide and sealing solutions for material compatibility.

Preferred Valve Mounting Options



| Pipe Size | A | B | C | D | Weight (kg) |
|-------------|----|------|------|------|-------------|
| 1/8" - 1/4" | 45 | 81.2 | 12.5 | 15.4 | - |

Dimensions (mm)

Solenoid enclosures

N--- Type Coil - Insulation class F

- External material: thermoplastic
- Connection type: 3 m wired cable, with ferrules
- Enclosure classification: conforms to IP65 (according to EN 60529)
- Type examination certificates: PTB 03 ATEX 2086 X, IECEx PTB 05.0005X



Coding chart

Main Valve Assembly

| Pipe Size | |
|-----------|------|
| 8 | 1/8" |
| 9 | 1/4" |

| Orifice | |
|---------|-----|
| C | 1.5 |
| G | 2.5 |
| H | 3.0 |

| Option | |
|--------|------------|
| N | NPT |
| | w/o option |

Coil options

| Voltage / Frequency - Class F | |
|-------------------------------|-----------------|
| N253 | 24 VDC |
| N203 | 24 V / 50/60 Hz |
| N403 | 110 V / 50 Hz |
| NK03 | 120 V / 60 Hz |
| N703 | 230 V / 50 Hz |



Product coding example:

N298DVH N253
1/8" G, Ex m solenoid operator, stainless steel body, FKM seals, 3.0 mm orifice, 24 VDC.

N362/363 Series, Eex – 3/2 Normally Closed

| Specifications | |
|------------------------------------|--|
| Function (single acting) | <p>Flow direction underseat 2 → 1</p> |
| Maximum Viscosity | Max. 21cST (3 °E) |
| Body Material (Std) | Brass CW617N (EN 12165) |
| Orifice Material | Stainless Steel 1.4305 EN 10088 (AISI 303) |
| Armature Tube | Stainless Steel solenoid grade |
| Plunger and Top Stop | Stainless Steel solenoid grade |
| Seal Material (Std) | FKM |
| Connection Type (Std) | G parallel thread (ISO 228-1) |
| Coil Characteristics | |
| Standard Coil Voltage DC (=) | 24 V |
| Standard Coil Voltage AC 50 Hz (-) | 24 V, 110 V, 230 V |
| Standard Coil Voltage AC 60 Hz (-) | 24 V, 120 V |
| Voltage Tolerance | +10% to -10% (AC/ DC) |
| Duty Cycle | 100% ED |
| Protection Class | EEx m II 2GD T4 (IP65 - EN 60529) |
| Cable Type | H05V2V2-F 3G1 |
| Coil Insulation | Class F to EN 60730 |

Features and Benefits

- Direct Acting
- Robust construction for industrial applications
- Fitted with explosion-proof operator and coil class EEx m II 2GD T4
- The valve are supplied with a 3 m power cable entry, wired on a non-removable plug
- Wide range of available orifices (max. Ø3 mm)



⚠ WARNING

The Ex approval is only valid for complete solenoid valves supplied ex factory (replacing the solenoid doesn't make a valve explosion-proof!).

Repairs may be performed by the manufacturer only, spare parts are not available (a valve is a closed system according to Directive 2014/34/UE).

| Pipe Size | Cv (gpm) | Kv (m³/h) | OPD (bar) | | Orifice (mm) | Seal Material | Valve Code |
|-----------|----------|-----------|-------------|-------------|--------------|---------------|------------|
| | | | AC Voltages | DC Voltages | | | |
| ¼" | 0.09 | 0.08 | 0 - 12 | 0 - 12 | 1.5 | FKM | N363CVC |
| ¼" | 0.15 | 0.13 | 0 - 10 | 0 - 10 | 2.0 | FKM | N363CVE |
| ¼" | 0.24 | 0.20 | 0 - 7 | 0 - 7 | 2.5 | FKM | N363CVG |
| ¼" | 0.32 | 0.27 | 0 - 5 | 0 - 5 | 3.0 | FKM | N363CVH |

Options Available

| Valve Options (see coding chart) |
|---|
| Body threaded connection G ½" |
| NPT threads (minimum batch may be required) |

| Solenoid Enclosure | | |
|--------------------|-----------------------------|-------------------|
| Coil | Voltage - Power | Fuse ² |
| N253 | 24 VDC - 10,1 W | 800 |
| N203 ¹ | 24 V / 50/60 Hz - AC 7,2 VA | 800 |
| N403 ¹ | 110 V / 50 Hz - AC 9,1 VA | 200 |
| NK03 ¹ | 120 V / 60 Hz - AC 8,6 VA | 200 |
| N703 | 230 V / 50 Hz - AC 8,5 VA | 100 |

¹ MOQ required.

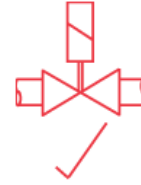
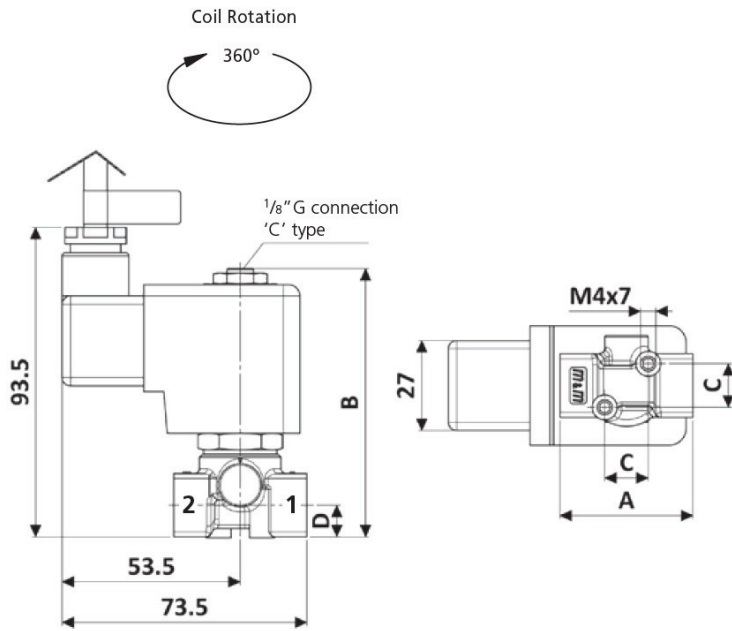
⚠ SAFETY WARNING

² A mains fuse or equivalent means of protection (breaking value shown on the table above for each coil type) must be installed on the mains supply line. Absence of mains protection is a non conformity to safety standards (EC Directives 2014/34/UE and 1999/92/EC) and could be a potential risk of explosion.

| Seal Material ³ and Media Temperature Range | Media | Ambient Temperature Range | |
|--|-----------------|---------------------------|--------|
| | | Min | Max |
| FKM (-20 °C to +80 °C) | Water, oil, air | -20 °C | +50 °C |

³ See corrosion reference guide and sealing solutions for material compatibility.

Preferred Valve Mounting Options



| Pipe Size | A | B | C | D | Weight (kg) |
|-------------|----|------|----|-----|-------------|
| 1/8" - 1/4" | 40 | 80.5 | 13 | 9.5 | - |

Dimensions (mm)

Solenoid enclosures

N--- Type Coil - Insulation class F

- External material: thermoplastic
- Connection type: 3 m wired cable, with ferrules
- Enclosure classification: conforms to IP65 (according to EN 60529)
- Type examination certificates: PTB 03 ATEX 2086 X, IECEx PTB 05.0005X



Coding chart

Main Valve Assembly

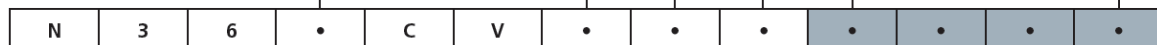
| Pipe Size | |
|-----------|------|
| 2 | 1/8" |
| 3 | 1/4" |

| Orifice | |
|---------|-----|
| C | 1.5 |
| E | 2.0 |
| G | 2.5 |
| H | 3.0 |

| Option | |
|--------|------------|
| | w/o option |

Coil options

| Voltage / Frequency - Class F | |
|-------------------------------|-----------------|
| N253 | 24 VDC |
| N203 | 24 V / 50/60 Hz |
| N403 | 110 V / 50 Hz |
| NK03 | 120 V / 60 Hz |
| N703 | 230 V / 50 Hz |



Product coding example:

N363CVG N703
1/4" G, Ex m solenoid operator, brass body, FKM seals, 2.5 mm orifice, 230 V / 50 Hz.

N398/399 Series, Eex – 3/2 Normally Closed

| Specifications | |
|------------------------------------|--|
| Function (single acting) | <p>Flow direction underseat 2 → 1</p> |
| Maximum Viscosity | Max. 21cST (3 °E) |
| Body Material (Std) | Stainless Steel 1.4305 EN 10088 (AISI 303) |
| Orifice Material | Stainless Steel 1.4305 EN 10088 (AISI 303) |
| Armature Tube | Stainless Steel solenoid grade |
| Plunger and Top Stop | Stainless Steel solenoid grade |
| Seal Material (Std) | FKM |
| Connection Type (Std) | G parallel thread (ISO 228-1) |
| Coil Characteristics | |
| Standard Coil Voltage DC (=) | 24 V |
| Standard Coil Voltage AC 50 Hz (-) | 24 V, 110 V, 230 V |
| Standard Coil Voltage AC 60 Hz (-) | 24 V, 120 V |
| Voltage Tolerance | +10% to -10% (AC/ DC) |
| Duty Cycle | 100% ED |
| Protection Class | EEx m II 2GD T4 (IP65 - EN 60529) |
| Cable Type | H05V2V2-F 3G1 |
| Coil Insulation | Class F to EN 60730 |

Features and Benefits

- Direct Acting
- Robust construction for industrial applications
- Fitted with explosion-proof operator and coil class EEx m II 2GD T4
- The valve are supplied with a 3 m power cable entry, wired on a non-removable plug
- Wide range of available orifices (max. Ø3 mm)



⚠ WARNING

The Ex approval is only valid for complete solenoid valves supplied ex factory (replacing the solenoid doesn't make a valve explosion-proof!).

Repairs may be performed by the manufacturer only, spare parts are not available (a valve is a closed system according to Directive 2014/34/UE).

| Pipe Size | Cv (gpm) | Kv (m³/h) | OPD (bar) | | Orifice (mm) | Seal Material | Valve Code |
|-----------|----------|-----------|-------------|-------------|--------------|---------------|------------|
| | | | AC Voltages | DC Voltages | | | |
| ¼" | 0.09 | 0.08 | 0 - 12 | 0 - 12 | 1.5 | FKM | N399CVC |
| ¼" | 0.24 | 0.20 | 0 - 7 | 0 - 7 | 2.5 | FKM | N399CVG |
| ¼" | 0.32 | 0.27 | 0 - 7 | 0 - 7 | 3.0 | FKM | N399CVH |

Options Available

| Valve Options (see coding chart) |
|---|
| Body threaded connection G 1/8" |
| NPT threads (minimum batch may be required) |

| Solenoid Enclosure | | |
|--------------------|-----------------------------|-------------------|
| Coil | Voltage - Power | Fuse ² |
| N253 | 24 VDC - 10,1 W | 800 |
| N203 ¹ | 24 V / 50/60 Hz - AC 7,2 VA | 800 |
| N403 ¹ | 110 V / 50 Hz - AC 9,1 VA | 200 |
| NK03 ¹ | 120 V / 60 Hz - AC 8,6 VA | 200 |
| N703 | 230 V / 50 Hz - AC 8,5 VA | 100 |

¹ MOQ required.

⚠ SAFETY WARNING

² A mains fuse or equivalent means of protection (breaking value shown on the table above for each coil type) must be installed on the mains supply line. Absence of mains protection is a non conformity to safety standards (EC Directives 2014/34/UE and 1999/92/EC) and could be a potential risk of explosion.

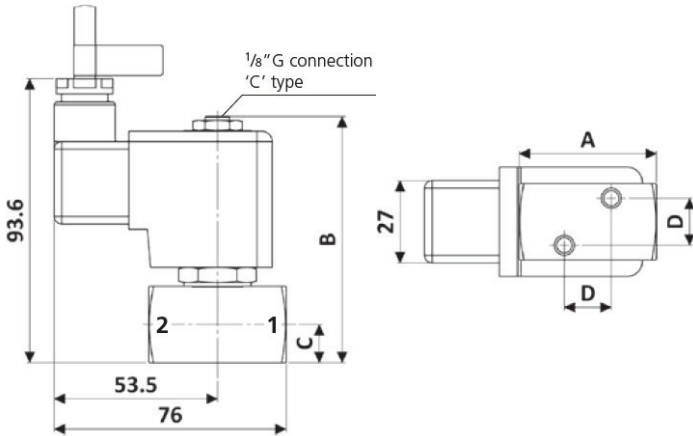
| Seal Material ³ and Media Temperature Range | Media | Ambient Temperature Range | |
|--|------------------------------------|---------------------------|--------|
| | | Min | Max |
| FKM (-20 °C to +80 °C) | Water, oil, air, aggressive fluids | -20 °C | +50 °C |

³ See corrosion reference guide and sealing solutions for material compatibility.

Coil Rotation



Preferred Valve Mounting Options



| Pipe Size | A | B | C | D | Weight (kg) |
|-------------|----|------|------|------|-------------|
| 1/8" - 1/4" | 45 | 80.6 | 12.5 | 15.4 | |

Dimensions (mm)

Solenoid enclosures

N--- Type Coil - Insulation class F

- External material: thermoplastic
- Connection type: 3 m wired cable, with ferrules
- Enclosure classification: conforms to IP65 (according to EN 60529)
- Type examination certificates: PTB 03 ATEX 2086 X, IECEx PTB 05.0005X



Coding chart

Main Valve Assembly

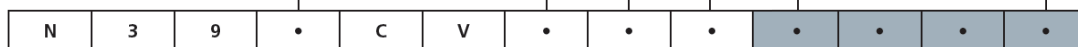
| Pipe Size | |
|-----------|------|
| 8 | 1/8" |
| 9 | 1/4" |

| Orifice | |
|---------|-----|
| C | 1.5 |
| G | 2.5 |
| H | 3.0 |

| Option | |
|--------|------------|
| N | NPT |
| | w/o option |

Coil options

| Voltage / Frequency - Class F | |
|-------------------------------|-----------------|
| N253 | 24 VDC |
| N203 | 24 V / 50/60 Hz |
| N403 | 110 V / 50 Hz |
| NK03 | 120 V / 60 Hz |
| N703 | 230 V / 50 Hz |



Product coding example:

N398CVH N253
1/8" G, Ex m solenoid operator, stainless steel body, FKM seals, 3.0 mm orifice, 24 VDC.