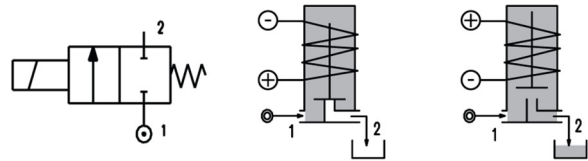
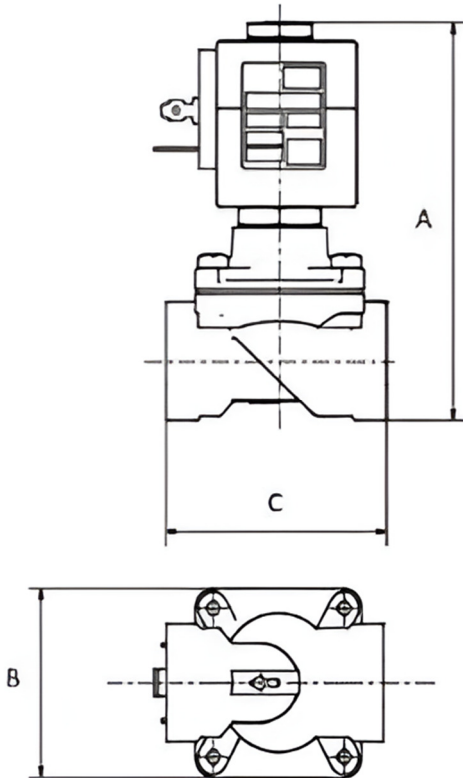


## R2MH 2/2 way Normally Closed Assisted Lift Solenoid Valve

Valve Type		Dimension A	Dimension B	Dimension C
R2MH G3/8	DN 13MM	98	46	58
R2MH G1/2	DN 13MM	98	46	58
R2MH G3/4	DN 19MM	109	56	78
R2MH G1	DN 25MM	122	74	95



Code	Connection G	Orifice mm	Flow Rate Kvs m <sup>3</sup> /h	Differential Pressure (bar)			Coil		Seal	Temp Range °C
				min	max. AC	Max.DC	series	width mm		
R2MHCCG#12/// Coil	3/8"	13	2.2	0	10	10(*)	3000	30	NBR=B	-10 +90
					12	16	3600	36		
R2MHCDG#12/// Coil	1/2"	13	2.5	0	10	10(*)	3000	30	EPDM=E	-10 +160
					12	12	3600	36		
R2MHCEG#18/// Coil	3/4"	19	5.5	0	10	-	3000	30	FPM=V	-10 +160
					12	12	3600	36		
R2MHCFG#25/// Coil	1"	25	10.2	0	10	6(**)	3600	30		

(\*) With coil 3C01

(\*\*) In case of use with ED >50% the nominal voltage tolerance to the coil has to be modified in +10% / -0%

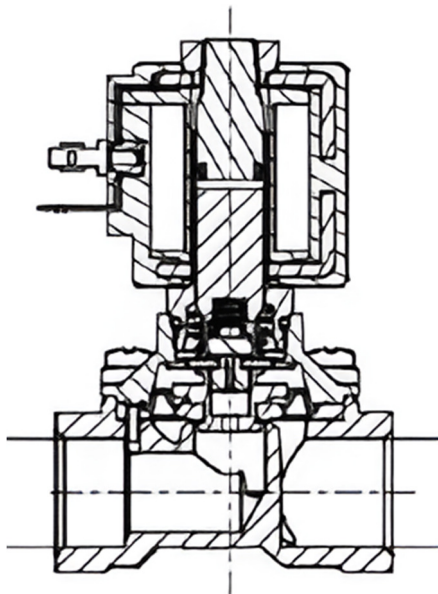
Coil	Coil P/N	Voltage	Nominal Power			Electrical Connection	Connectors
			AC VA Inrush	AC VA Holding	DC Watt		
Series 3000 Width 30mm	3001	24V DC	-	-	10	DIN43650A	A1B09-1-2A
	3C01	24V DC	-	-	12		
	300B	24V AC	15	12	-		
	300D	110V AC	15	12	-		
	300E	230V AC	15	12	-		
Series 3600 Width 36mm	3601	24V DC	-	-	24		
	360B	24V AC	30	24	-		
	360D	110V AC	30	24	-		
	360E	230V AC	30	24	-		

### Construction:

- Body: Brass CW614N
- Armature tube: Stainless steel AISI 303
- Plunger and core: Stainless steel 430FR
- Springs: Stainless steel AISI 302
- Seal material: NBR - FPM – EPDM

### Spare parts:

- Coil fixing nut
- Coil
- Mobile plunger assembly
- Armature tube kit
- Diaphragm assembly



### Features:

- Maximum allowable pressure: 25bar\*
- Maximum fluid viscosity: 25cSt (mm<sup>2</sup>/s)
- Ambient temperature:  
with class F coil -10°C +55°C  
with class H coil -10°C +80°C
- Above 80°C please consult our tech department for support
- Preferred mounting position with vertical coil above

### Options:

- Electroless nickel plating
- Version for vacuum application (air/gas)
- Others on request