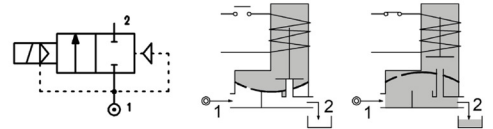
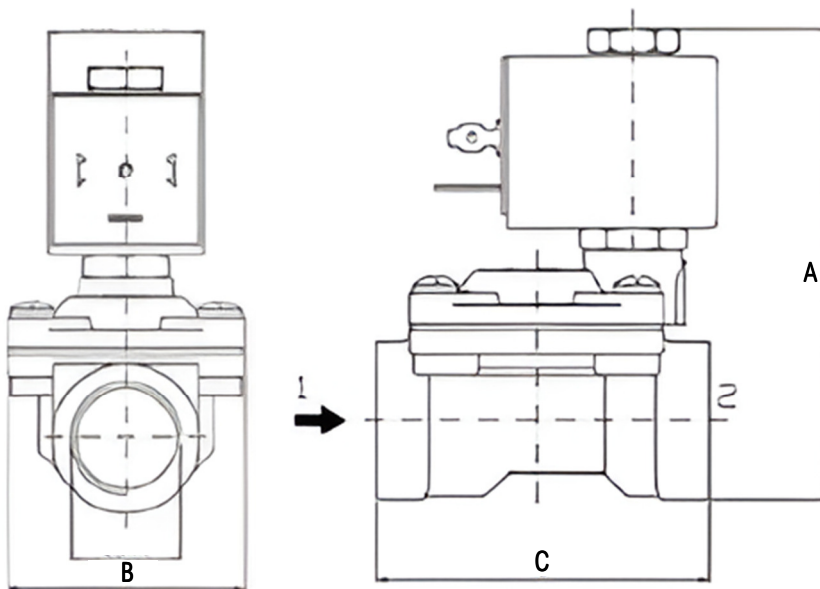


## R2SP-R2SR 2/2 way Normally Closed Pilot Operated Solenoid Valve

Valve Type	Dimension A	Dimension B	Dimension C	Coil Type	Weight
R2SP G3/8"	83	46	58	2800	0.44
R2SP G1/2"	83	46	58	2800	0.41
R2SP G3/4"	93	56	78	2800	0.70
R2SP G1"	104	74	95	2800	1.15
R2SR G 1 1/4"	135	96	130	3000	2,4
R2SR G 1 1/2"	135	96	130	3000	2,3
RS2R G 2"	151	120	155	3000	3,3



Code	Connection G	Orifice mm	Flow Rate Kvs m³/h	Differential Pressure (bar)			Coil		Seal	Temp Range °C
				min	max. AC	Max.DC	series	width mm		
R2SPCCG#12/// Coil	3/8"	13	2.2	0.15	16	16	2800	22	NBR=B	-10 +90
R2SPCDG#12/// Coil	1/2"	13	2.5	0.15	16	16				
R2SPCEG#18/// Coil	3/4"	19	5.5	0.15	14	14				
R2SPCFG#25/// Coil	1"	25	10.2	0.15	10	10	3000	30	EPDM=E	-10 +160
R2SRCGG#32/// Coil	1" 1/4	32	18	0.15	10	10				
R2SRCHG#40/// Coil	1" 1/2	40	21	0.15	10	10				
R2SRCIG#50/// Coil	2"	50	36	0.15	10	10			FPM=V	-10 +160
*High Pressure range (NBR seals only)										
R2SPCCG12/// Coil	3/8"	13	2.2	0.5	25	25	3A00	30		
R2SPCDG12/// Coil	1/2"	13	2.2	0.5	25	25				

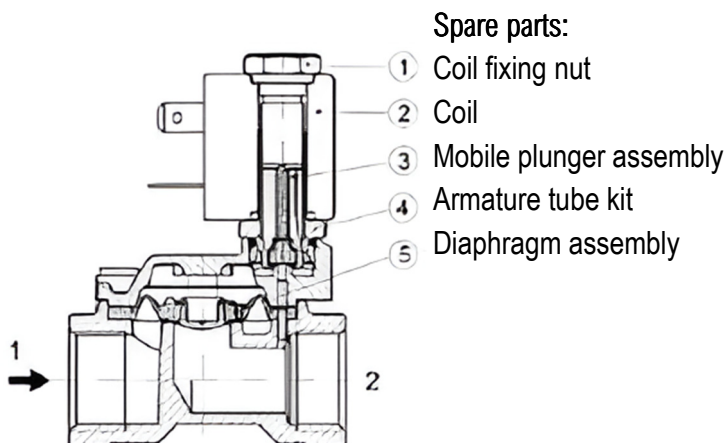
Coil	Coil P/N	Voltage	Nominal Power			Electrical Connection	Connectors
			AC VA Inrush	AC VA Holding	DC Watt		
Series 2800 Width 22mm	2801	24V DC	-	-	6.5	Industrial Standard 22mm	B1B09-1-2A
	280B	24V AC	12	8	-		
	280E	230V AC	12	8	-		
Series 3000 Width 30mm	3001	24V DC	-	-	10	DIN 43650A	A1B09-1-2A
	300B	24V AC	20	15	-		
	300E	230V AC	20	15	-		
Series 3A00 Width 30mm	3A01	24V DC	-	-	5		
	3A0B	24V AC	15	11	-		
	3A0E	230V AC	15	11	-		

### Description:

- Solenoid valve 2/2, indirect acting.
- Switch-on time 30ms (<1/2"), 50ms (3/4"-1"), 150-1000ms adjustable (>11/4")
- Switch-off time 50ms (<1/2"), 80ms (3/4"-1"), 150-1000ms adjustable (>11/4")

### Construction:

- Brass body CW617N.
- Armature tube: Stainless steel AISI 303
- Plunger and core: Stainless steel AISI 302
- Seal material: NBR—FPM—RPDM



### Features:

- Maximum allowable pressure: 25bar\*
- Maximum fluid viscosity: 25cSt (mm2/s)
- Ambient temperature:  
with class H coil -10°C +80°C
- Above 80°C please consult our tech department for support
- Preferred mounting position with vertical coil above

### Options:

- Manual override
- Electroless nickel plating
- Version with slow closing diaphragm
- Version for vacuum application (air/gas)
- Others on request